



# **Parts Manual**

## **Onan Generator Set for RV**

HGJBB (Spec A-B)



# Table of Contents

<b>Description</b>	<b>Page</b>
Safety Precautions .....	2
About This Manual .....	3
Quick Serve Online (QSOL) .....	4
Related Literature .....	4
Model Identification .....	5
Abbreviations .....	6
Labels .....	7
Consumables .....	8
Service Consumables .....	8
Paint and Thread Sealant .....	8
Engine .....	9
Fuel System .....	11
Fuel Pump Kit .....	13
Fuel Solenoid Kit .....	14
Crank Case .....	16
Piston Crankshaft .....	18
Intake Exhaust .....	20
Governor .....	22
Engine Cooling – LP .....	23
Engine Cooling – Gas .....	24
Carburetor – Gas .....	26
Mixer – LP .....	28
Ignition Coil .....	30
Starter Mounting .....	31
Starter .....	32
Oil Sensor .....	34
Exhaust System .....	35
Cooling System .....	36
Generator Spec A .....	38
Generator (Begin Spec B) .....	40
Enclosure .....	42
Control .....	48
Control Harness .....	50
Accessory Kits .....	51
Shipping Carton .....	57

## Safety Precautions

The following symbols are used in Cummins Inc. manuals to alert users to the potentially dangerous conditions relating to maintenance of equipment and replacement of parts. Please read and observe.



*This symbol warns of immediate hazards which will result in severe personal injury or death.*



*This symbol refers to a hazard or unsafe practice which can result in severe personal injury or death.*



*This symbol refers to a hazard or unsafe practice which can result in severe personal injury or product or property damage.*

## Product Safety Precautions

Before operating the generator set, read the manuals and become familiar with them and the equipment. Safe and efficient operation can be achieved only if the equipment is properly operated and maintained. Many accidents are caused by failure to follow fundamental rules and precautions.



**Note:**

**It is in the Operator's interest to read and understand all Health and Safety information together with all Warnings and Cautions contained within the documentation relevant to the generator set, its operation and daily maintenance.**



**Improper operation and maintenance can lead to severe personal injury or loss of life and property by fire, electrocution, mechanical breakdown or exhaust gas asphyxiation. Read and follow all safety precautions in the health and safety manual 0908-0110.**



**Service and repair of Cummins Inc. equipment must be performed by trained, experienced personnel only. Improper service, repair or replacement of parts may result in damage to equipment & property, severe personal injury or death. Do not use this catalog as a guide to servicing your equipment. Read and follow the IMPORTANT SAFETY INSTRUCTIONS in the Service Manual appropriate for the equipment you are working on.**



**Contact with USED ENGINE OILS has been identified by a United States federal agency and some USA state agencies as causing CANCER or REPRODUCTIVE TOXICITY. When checking or changing engine oils take all necessary precautions not to ingest, breathe the fumes or contact the used oil.**



**Contact with ASBESTOS has been identified by a United States federal agency and some USA state agencies as causing CANCER or REPRODUCTIVE TOXICITY. When handling engine gaskets take all necessary precautions not to ingest, breathe or contact the dust from the gaskets! Use adequate ventilation and wear protective gloves, masks and clothing!**



**Contact with BENZINE and LEAD, found in gasoline, fuel additives and solvents has been identified by a United States federal agency and some USA state agencies as causing CANCER or REPRODUCTIVE TOXICITY. When checking, draining or adding gasoline and fuel additives or using solvents take all necessary precautions not to ingest, breathe the fumes or contact the liquids. Use adequate ventilation and wear protective gloves, masks and protective clothing!**

## About This Manual

This manual applies to the generator model HGJBB. Parts illustrations are arranged in groups relating to their position and function on the generator set. Each part illustrated is identified by a reference number corresponding to the list of part numbers in the accompanying table.

Engine and alternator parts that have been modified or added by Cummins Inc. are identified in this manual. Contact your nearest authorized distributor for assistance in ordering replacement parts. All other replacement parts must be ordered from the engine/alternator manufacturer by referring to the item nameplate and supplying all available information.

Cummins Inc. Generator Model	Subaru Engine Model
2.3HGJBB-1122A	EX21
2.3HGJBB-1123A	EX21
2.5HGJBB-1121A	EX21
2.5HGJBB-1126A	EX21
2.8HGJBB-1120A	EX21
2.8HGJBB-1124A	EX21
2.8HGJBB-1125A	EX21

## Generator Set Data Table

Model and Specification	Electrical Data					Battery Voltage	Fuel Type
	Watts	Volts	Hertz	Wire	Phase		
2.3HGJBB-1122A/*	2300	230	50	2L	1	12VDC	Gas
2.3HGJBB-1123A/*	2300	230	50	2L	1	12VDC	LP
2.5HGJBB-1121A/*	2500	120	60	2L	1	12VDC	LP
2.5HGJBB-1126A/*	2500	120	60	2L	1	12VDC	LP
2.8HGJBB-1120A/*	2800	120	60	2L	1	12VDC	Gas
2.8HGJBB-1124A/*	2800	100	60	2L	1	12VDC	Gas
2.8HGJBB-1125A/*	2800	120	60	2L	1	12VDC	Gas

\* – The diagonal line (/) in the model and specification number separates generator set characteristics from the specification number and letter. The specification number denotes customer requested options or deviations from the standard model. The specification letter advances (A to B, B to C, etc.) with major manufacturing changes.

## **Quick Serve Online (QSOL)**

Documentation and operator manuals pertaining to the generator set are available on QuickServe Online.

QuickServe Online: <https://quickserve.cummins.com/info/index.html>

The information contained within this manual is based on information available at the time of going to print. In line with Cummins Inc. policy of continuous development and improvement, information may change at any time without notice. Obtain the most up to date version available on QuickServe Online or contact your authorized distributor for assistance.

## **Related Literature**

The related literature that is appropriate to your generator set includes:


- Operator Manual for Generator Set (A031C171)
- Installation Manual (A031C172)
- Service Manual for Generator Set (A031C173)
- Service Manual for Engine (A032Z095)
- Alternator Manual (N2/0/025ED7E)
- Recommended Stock List (RSL) (A031A194)

If further information is required, contact your authorized distributor.

## Model Identification

This manual covers generator set models produced under the Cummins Inc. name.

To avoid errors or delay in filling your parts order, always state the MODEL and SERIAL NUMBER from the Cummins Inc. nameplate.

IMPORTANT ENGINE INFORMATION		
	CUMMINS POWER GENERATION 1400 73rd Ave. NE Minneapolis, MN 55432	
Model No: _____	Made in U.S.A.	
S/N: _____	PH: _____	
AC Volts: _____	kVA: _____	kW: _____
Amps: _____	Pf: _____	RPM: _____
Fuel: _____	Hz: _____	Bat: _____
Options: _____	Wiring Diagram: _____	
Insulation - NEMA Class _____	Ambient _____	
The engine family designation, engine displacement, statement of compliance with the applicable EPA and / or California emissions regulations, including the compliance period or category, appear in this block on the actual nameplate on the genset.		

The engine serial number is located on a data tag on the engine or is stamped on the engine block.

The control software number is located on the electronic control module (ECM) or can be obtained via the digital interface if one is available.

**For reference document your genset information in the spaces below.**

Generator Model Number: \_\_\_\_\_

Generator Set Serial Number: \_\_\_\_\_

Generator Spec Letter: \_\_\_\_\_

Engine Serial Number: \_\_\_\_\_

Digital Control Software: \_\_\_\_\_

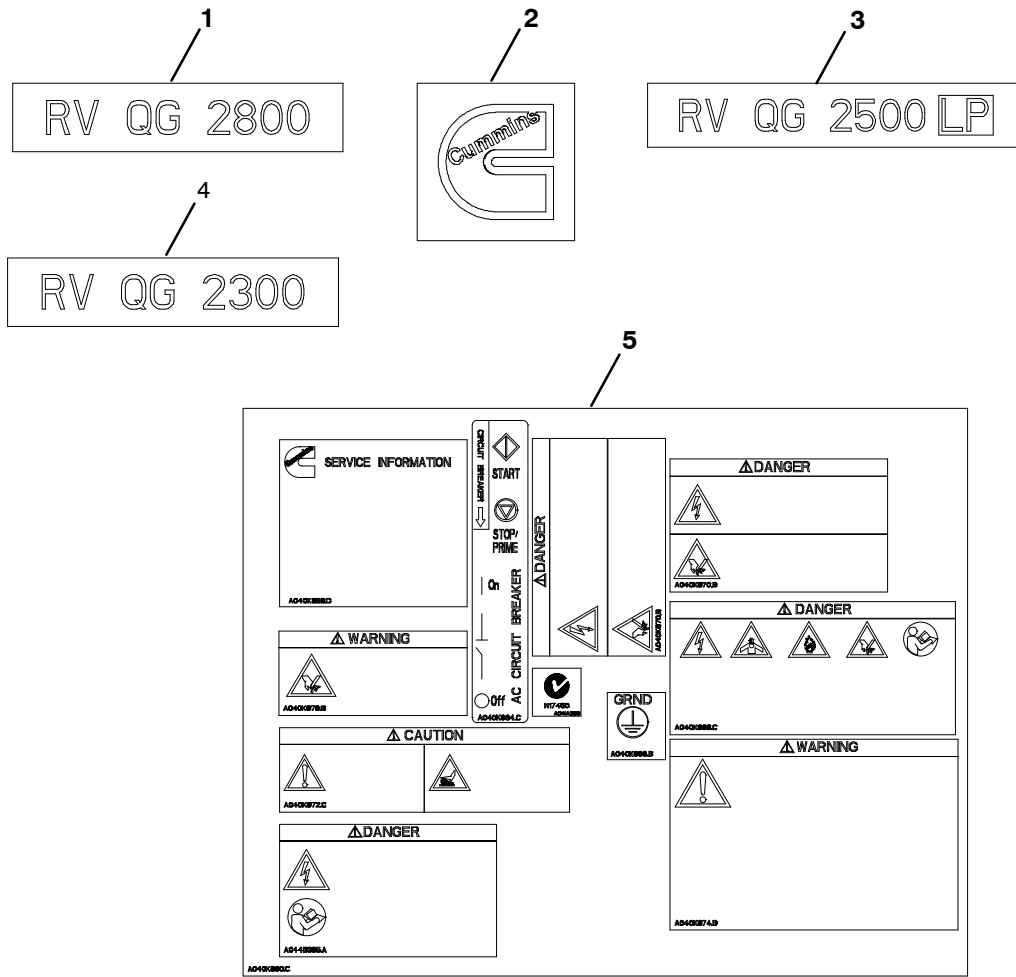
## Abbreviations

Some of the following abbreviations may be used throughout this Parts Manual:

AC	Alternating Current	LED	Light-Emitting Diode
ACB	Air Circuit Breaker	LTP	Limited Time Power Rating
ACH	Anti-Condensations Heaters	LTA	Low Temperature Aftercooling
ATS	Automatic Transfer Switch	LV	Low Voltage
Amp	Ampere	M	Meter
A/R	As Required	MCB	Miniature Circuit Breaker
AVR	Automatic Voltage Regulator	MCCB	Moulded Case Circuit Breaker
AWG	American Wire Gauge	MF	Mains Failed
BHP	Brake Horsepower	MFSS	Master First Start Sensor
BMS	Building Measurement System	mm	Millimeter
BST	Busbar Sensing Transformer	MOH	Mobile Off Highway
CAN	Controlled Area Network	MR	Mains Returned
CB	Circuit Breaker	MST	Mains Sensing Transformer
CCA	Cold Cranking Amps	MSU	Mains Sensing Unit
CHP	Combined Heat and Power	MV	Medium Voltage
COP	Continuous Power Rating	NEC	Neutral Earthing Contact
CT	Current Transformer	NFS	Not For Sale
dB(A)	Unit of noise level	NPT	National Pipe Thread
DC	Direct Current	OD	Outside Diameter
Deg	Degree	oz.	Ounce
DIP	Dual In-line Package	PC	PowerCommand 3.3
DMC	Digital Master Control	PC	Printed Circuit
DMSU	Demand Load Standby Unit	PF	Power Factor
ECM	Engine Control Module	Ph	Phase
EFC	Electronic Fuel Control	PFC	Power Factor Controller
EIT	External/Internal Tooth	PLC	Programmable Logic Controller
EMCU	Engine Monitoring and Control Unit	PMG	Permanent Magnet Generator
EMF	Electromotive Force	PRP	Prime Power Rating
EPROM	Erasable Programmable Read Only Memory	PSU	Power Supply Unit
EPU	Engine Protection Unit	PT/CT	Potential Transformer/Current Transformer
ET	External Tooth	PTC	Power Transfer Control
FAE	Full Authority Engine	QCC	Quadrature Current Control
FSS	First Start Sensor	RFI	Radio Frequency Interference
GCP	Generator Control Panel	RMS	Root Mean Square
Genset	Generator set	RPM	Revolutions Per Minute
GFI	Ground Fault Interrupter	RT	Right
GKWT	Global Kilowatt Transducer	RTD	Resistance Temperature Detector
HMI	Human/Machine Interface	Spec	Specification
HV	High Voltage	Thk	Thick
IC	Integrated Circuit	UL	Underwriters Laboratories Inc.
ID	Inside Diameter	UNC	Union National Coarse
IEC	International Electrotechnical Commission	UNF	Union National Fine
I/O	Input / Output	V	Volts
IT	Internal Tooth	VAC	Volts, Alternating Current
kVA	Apparent Power	VCB	Vacuum Circuit Breaker
kVAR	Reactive Power	VDC	Volts, Direct Current
kW	Active / Real Power (Kilowatt)	VF	Volt-free
kWh	Unit of electrical energy or work	VT	Voltage Transformer
LPG	Liquid Petroleum Gas	W/(ET, IT, EIT)	With
LT	Left		



## Labels



Item	Part No.	Description	Qty
1	098-8722	Label, Logo	1
2	098-8720	Label, Logo	1
3	098-8764	Label, Logo	1
4	098-8762	Label, Logo	1
5	A040K880	Package, Label	1

## Consumables

The following is a list of consumables associated with the generator models covered in this manual:

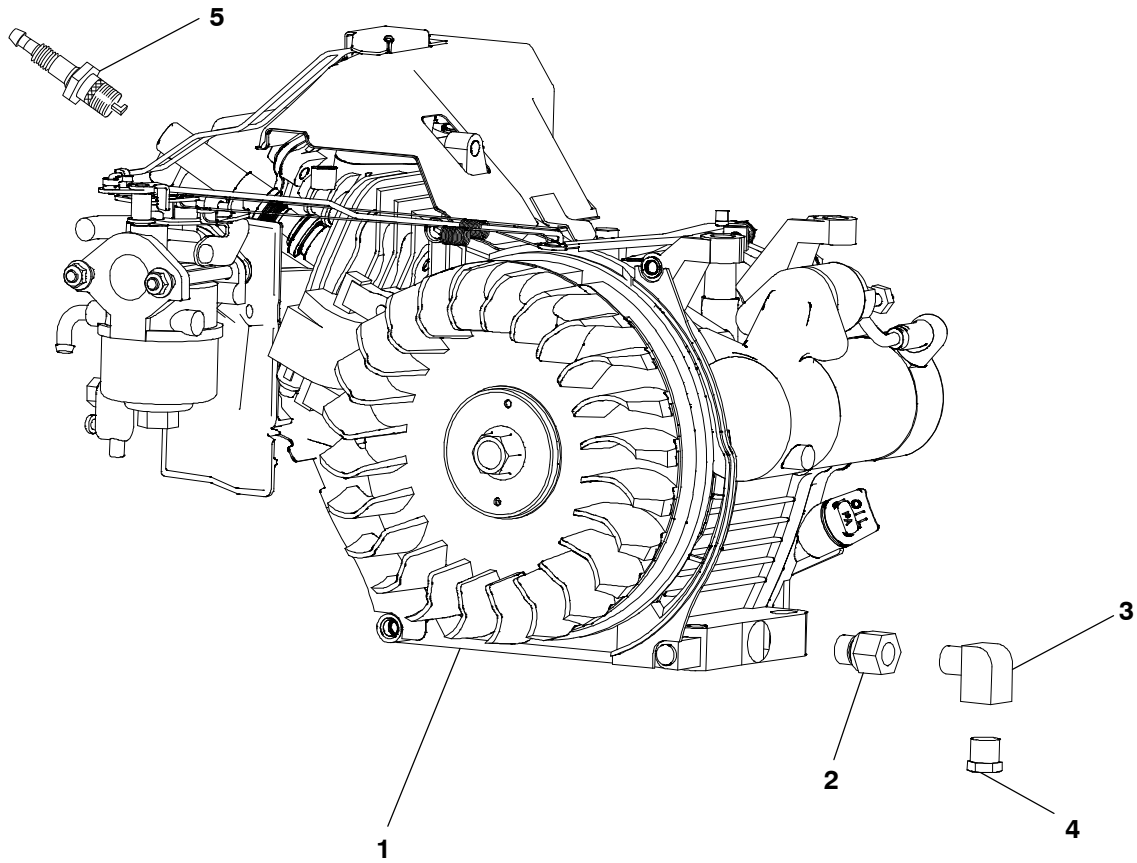
### Service Consumables

Ref. Page No.	Part No.	Description	Qty
9	167-1652	Plug, Spark	1
10	167-1652	Plug, Spark	1
11	149-2661	Filter, Fuel	1
36	A030Y328	Filter, Air	1

### Paint and Thread Sealant

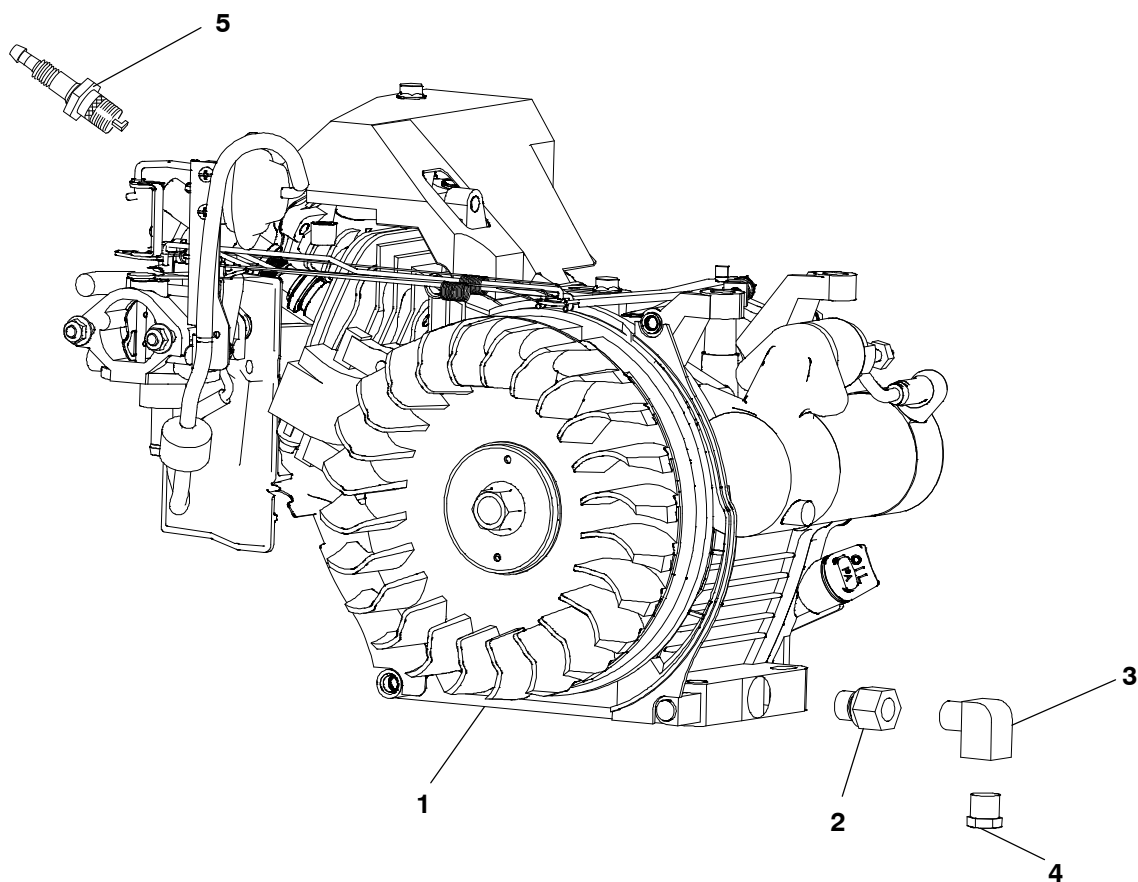
Item	Part No.	Description	Qty
1	525-0305	Onan Green Enamel (Non-Metallic) 12 oz. Pressurized Spray Can	n/a

**Engine  
 Gasoline**



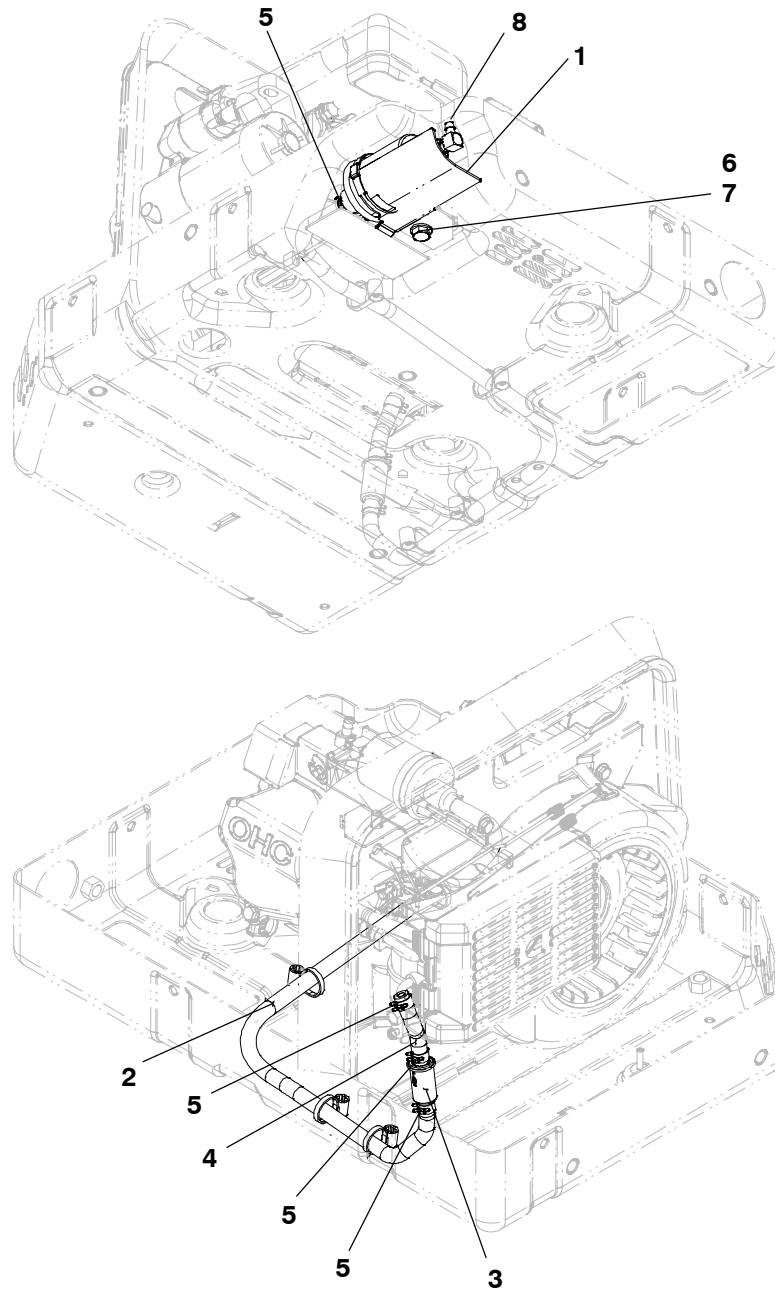
Item	Part No.	Description	Qty
1		Engine, Spark Ignited	
	A034Z250	60Hz	1
	A044M644	50Hz	1
2	502-1318	Adapter, Pipe	1
3	502-0054	Elbow, Pipe	1
4	502-0153	Plug, Hex Pipe	1
5	167-1652	Plug, Spark	1

## Engine LP



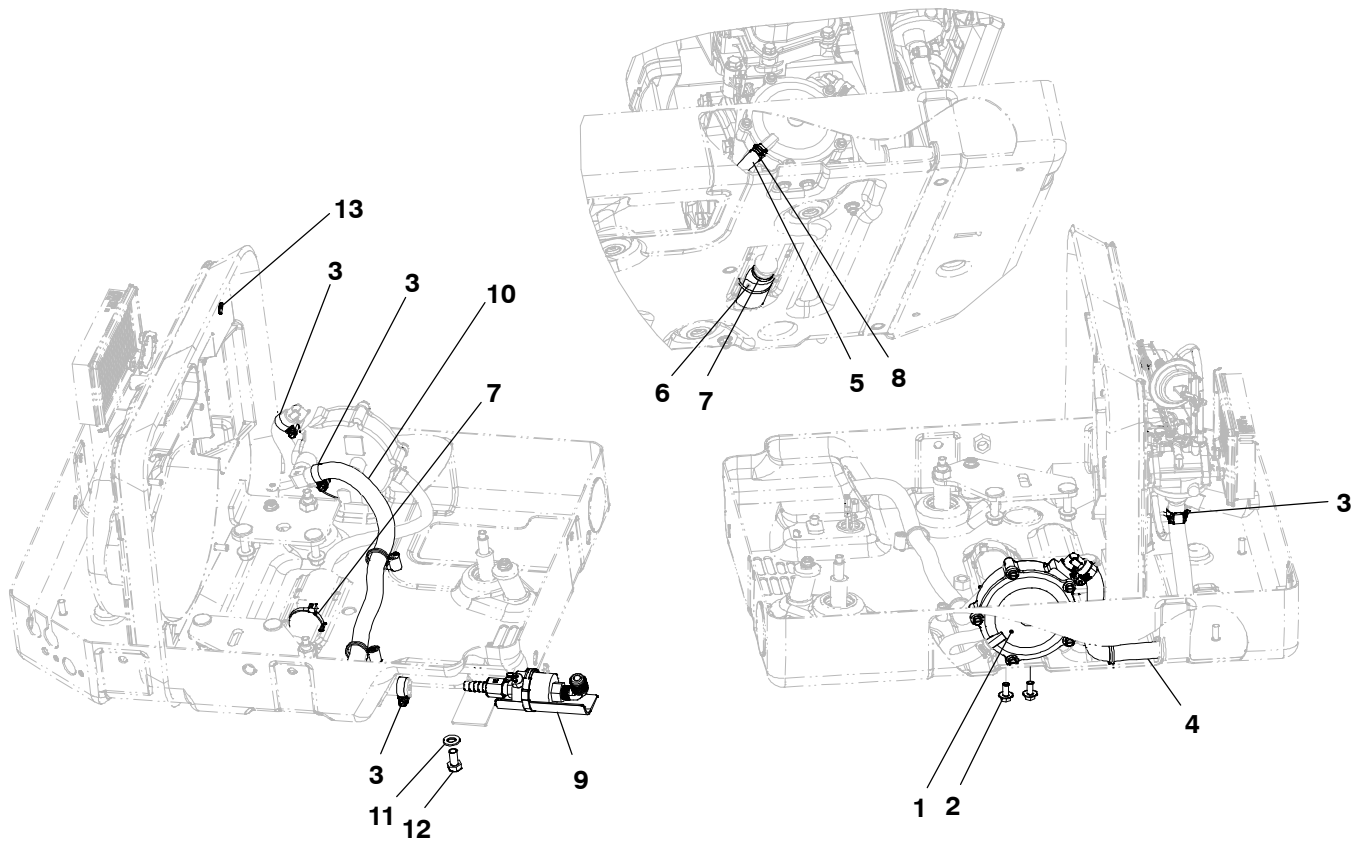
Item	Part No.	Description	Qty
1	A034Z252	Engine, Spark Ignited	1
2	502-1318	Adapter, Pipe	1
3	502-0054	Elbow, Pipe	1
4	502-0153	Plug, Hex Pipe	1
5	167-1652	Plug, Spark	1

## Fuel System Gasoline



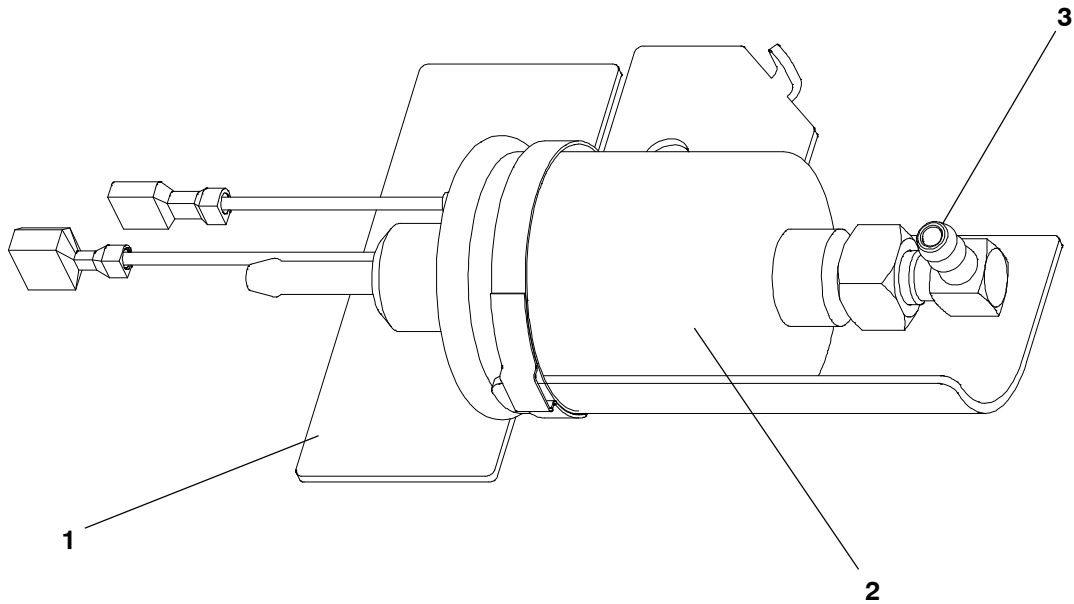
Item	Part No.	Description	Qty
1	A046B279	Kit, Fuel Pump (See Page 13 for Service Parts)	1
2	A041F151	Hose, Fuel	1
3	149-2661	Filter, Fuel	1
4	503-2734-01	Hose, Fuel	1
5	503-0731	Clamp	4
6	526-2100	Washer, Flat	1
7	800-2056	Screw, Hex Head	1
8	517-0090	Plug, Tapered	1

## Fuel System – LP



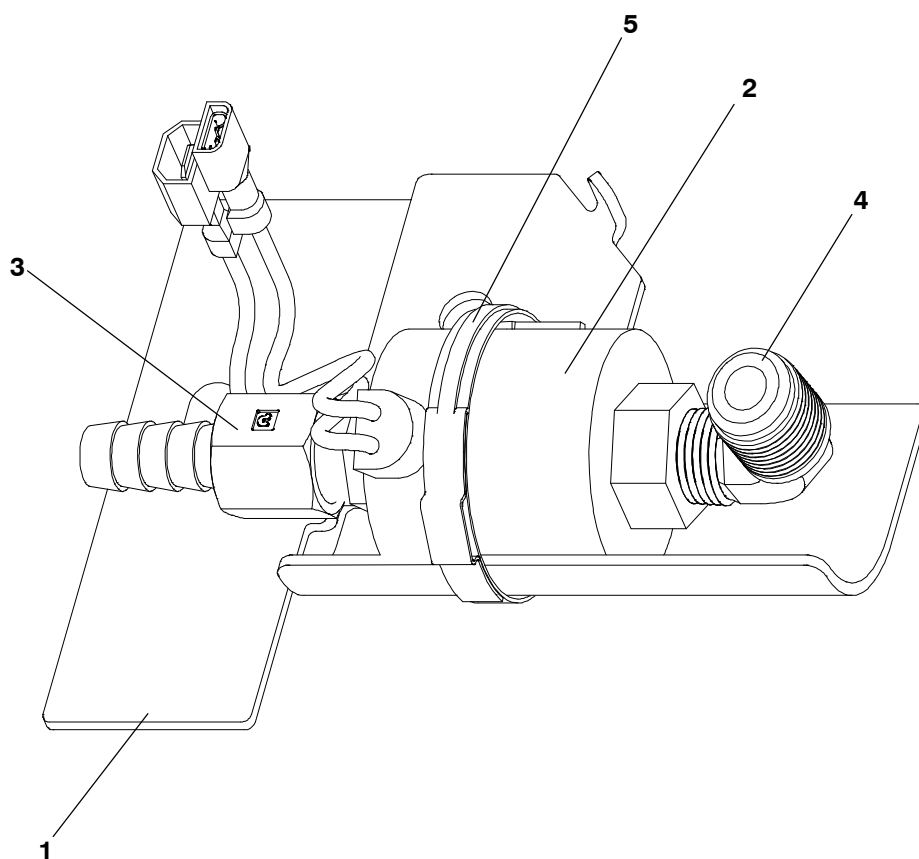
Item	Part No.	Description	Qty
1	A034R584	Regulator, Fuel	1
2	821-0010	Screw, Locking	2
3	503-2309	Clamp	4
4	A041E044	Hose, Fuel	1
5	A043A369	Hose, Vent	1
6	148-1343	Filter, Vent	1
7	332-3388	Tie, Cable	2
8	503-0731	Clamp	1
9	A046B282	Kit, Fuel Solenoid (See Page 14 for Service Parts)	1
10	A041E042	Hose, Fuel	1
11	526-2100	Washer, Flat	1
12	800-2056	Screw, Hex Head	1
13	517-0131	Plug, Hole	1

## Fuel Pump Kit



Item	Part No.	Description	Qty
	A046B279	Kit, Fuel Pump	
1	A042W530	Bracket, Fuel Pump	1
2	A034R136	Pump, Fuel	1
3	A029Z860	Elbow, Hose	1

## Fuel Solenoid Kit

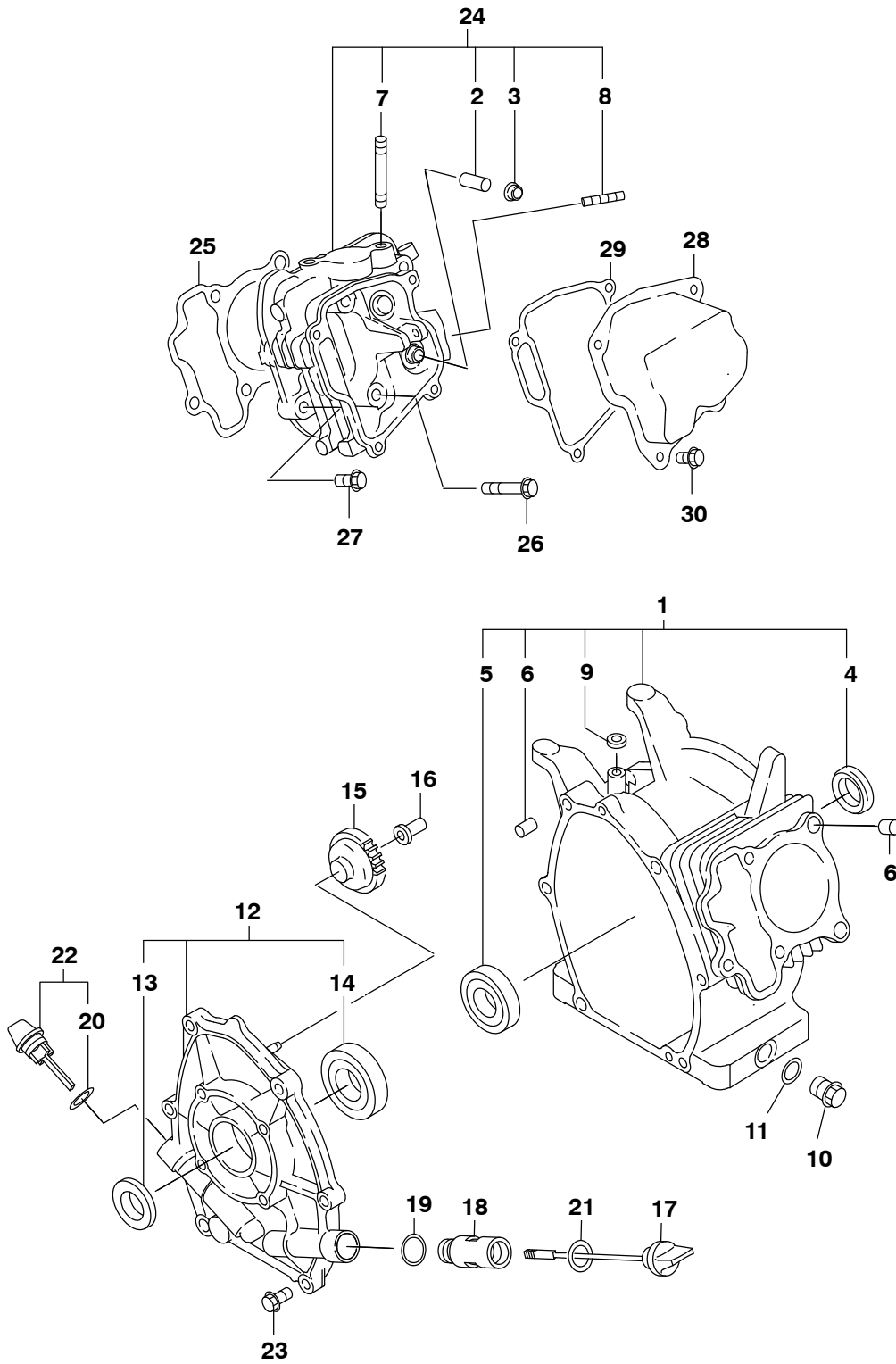


Item	Part No.	Description	Qty
	A046B282	Kit, Fuel Solenoid	
1	A042W532	Bracket, Solenoid	1
2	A034W123	Valve	1
3	502-1200	Fitting, Hose	1
4	A034D471	Fitting, Hose	1
5	503-1951-54	Clamp	1



This page is Intentionally blank.

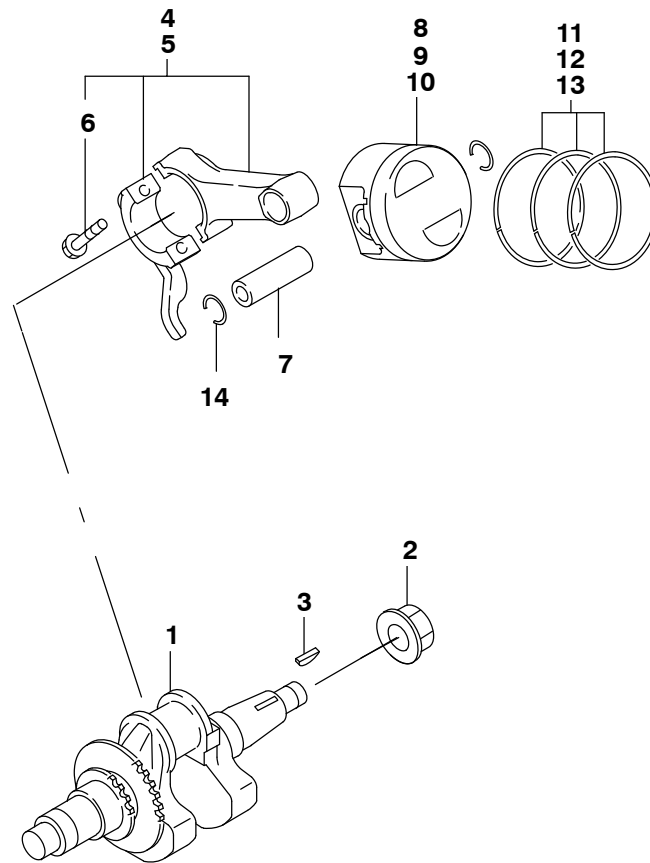
### Crank Case



## Crank Case

Item	Part No.	Description	Qty
1	A043M341	Case, Crank	1
2		Guide, Valve	
	A043M705	Gas Engine	2
	A043X066	LP Engine	2
3	A043M707	Seal	1
4	A043M710	Seal, Oil	1
5	A043M712	Bearing, Ball	1
6	A043M741	Pin, Spring	4
7	115-0557	Stud (M8 x 1.25 x 30)	2
8	A043M836	Stud (M6 x 1.0 x 33)	2
9	A043M838	Seal, Oil	1
10	A043M841	Plug	1
11	187-6032	Gasket	1
12	A043M848	Cover, Bearing	1
13	A043M895	Seal, Oil	1
14	A043M898	Bearing, Ball	1
15	A043N066	Gear	1
16	A043N069	Sleeve, Governor	1
17	A043N076	Gauge, Oil	1
18	A043N117	Adapter, Oil Fill	1
19	A043N122	Gasket	1
20	A043N331	Gasket	1
21	A043N333	Gasket	1
22	A043N337	Gauge, Oil	2
23	A043N362	Flange, Bolt (M8 x 1.25 x 16D x 35L)	6
24		Head, Cylinder	
	A043N346	Gas Engine	1
	A043X068	LP Engine	1
25	A043N350	Gasket, Cylinder Head	1
26	A043N355	Flange, Bolt (M8 x 1.25 x 16D x 68L)	4
27	A043N357	Flange, Bolt (M8 x 1.25 x 16D x 33L)	1
28	A044C229	Cover, Rocker	1
29	A043K747	Gasket, Rocker Cover	1
30	187-6098	Flange, Bolt (M6 x 1.0 x 14D x 12L)	4

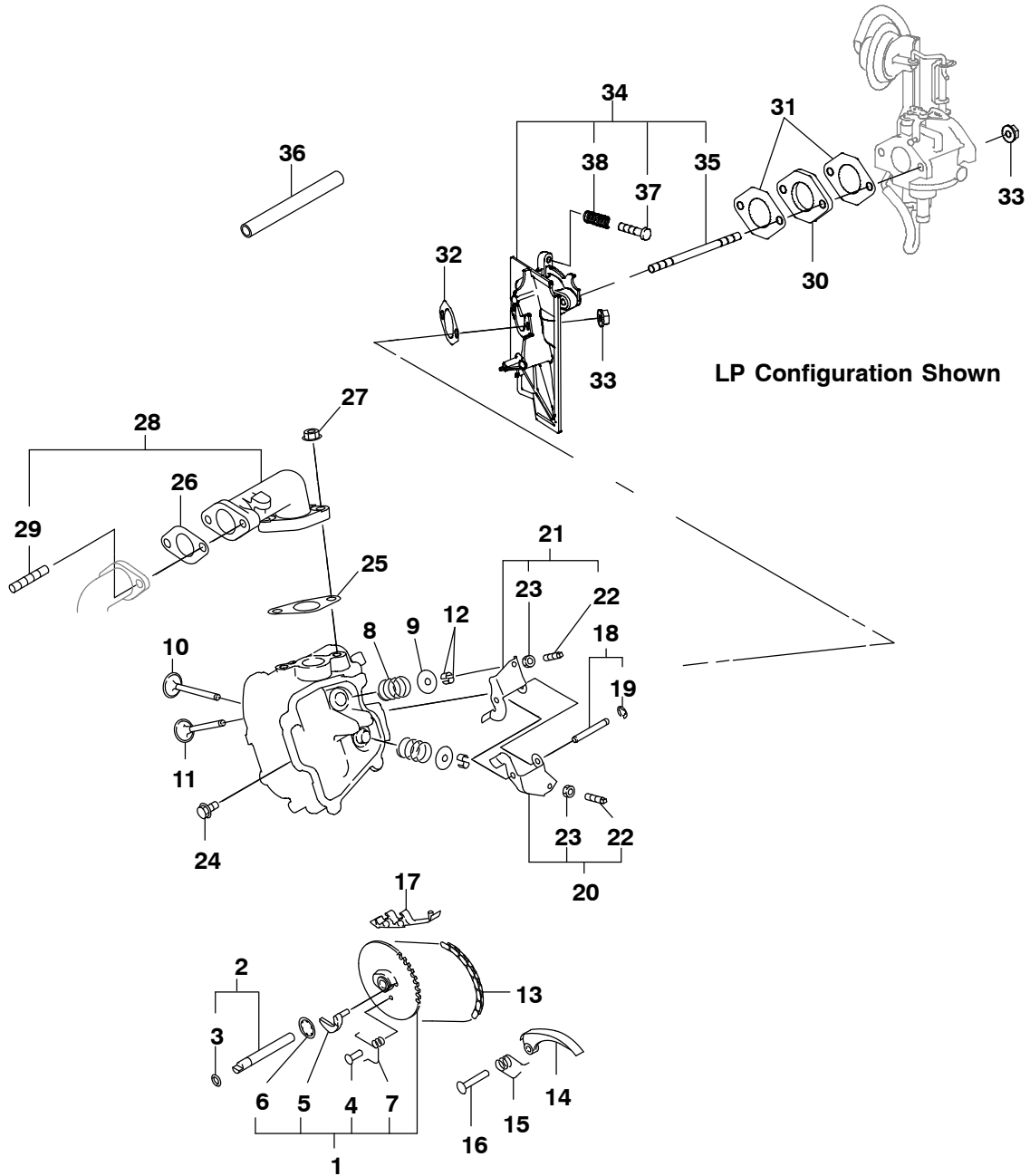
## Piston Crankshaft



Item	Part No.	Description	Qty
1	A043N367	Crankshaft	1
2	A043N380	Nut, Flange (M14)	1
3	A043N395	Key, Woodruff	1
4	A043N397	Rod, Connecting	1
5	A043N399	Rod, Connecting (0.25 u.s.)	1
6	A043N403	Bolt (M6 x 1.0 x 33)	2
7	A043N405	Pin, Piston	1
8	A043N407	Piston (STD)	1
9	A043N409	Piston (0.25)	1
10	A043N411	Piston (0.50)	1
11	A043N418	Ring, Piston (STD)	1
12	A043N423	Ring, Piston (0.25)	1
13	A043N429	Ring, Piston (0.50)	1
14	A043N431	Clip	2

This page is Intentionally blank.

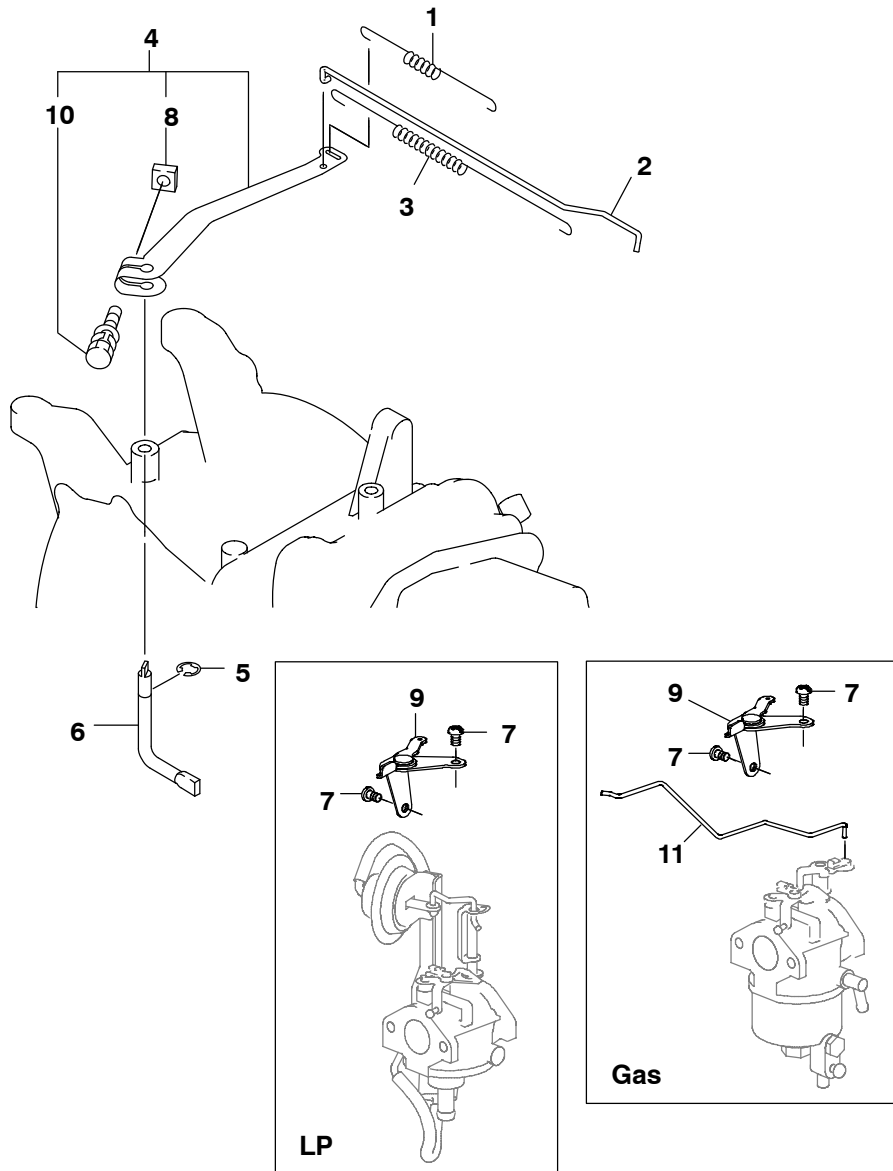
# Intake Exhaust



## Intake Exhaust

Item	Part No.	Description	Qty
1	A043S971	Camshaft	1
2	A043S974	Pin	1
3	A043S976	Seal, O Ring	1
4	A043S979	Pin, Spring	1
5	A043S990	Lever, Release	1
6	A043T013	Clip	1
7	A043T015	Spring, Return	1
8	A043T017	Spring, Valve	2
9	A043T034	Retainer, Spring	2
10		Valve, Intake	
	A043T065	Gas Engine	1
	A043X070	LP Engine	1
11		Valve, Exhaust	
	A043T067	Gas Engine	1
	A043X073	LP Engine	1
12	A043T072	Valve	4
13	A043T087	Chain, Timing	1
14	A043T247	Arm, Tensioner	1
15	A043T249	Spring	1
16	A043T254	Pin	1
17	A043T311	Plate, Guide	1
18	A043T358	Shaft, Rocker Arm	1
19	A043T407	Clip	1
20	A043T409	Arm, Rocker	1
21	A043T414	Arm, Rocker	1
22	A043T422	Screw, Adjusting (M5 x 0.5 x 23)	2
23	A043T424	Nut (M5)	2
24	A043T427	Flange, Bolt (M6 x 1.0 x 8)	1
25	A043T604	Gasket, Muffler	1
26	0155-4770	Gasket, Exhaust	1
27	187-6067	Nut, Flange (M8)	2
28	A043V280	Pipe, Exhaust	1
29	187-6016	Stud (M8 x 1.25 x 30)	2
30	A040C784	Insulator, Carburetor	1
31	A040C786	Gasket	2
32	A043V372	Gasket, Insulator	1
33	A043V479	Nut, Flange (M6)	4
34	A043V481	Adapter, Intake	1
35	A043V483	Stud, Threaded (M6 x 1.0 x 92)	2
36	A043V487	Tube, Rubber	1
37	A043V489	Screw, Pan Head (M6 x 1.0 x 25)	1
38	A043V496	Spring	1

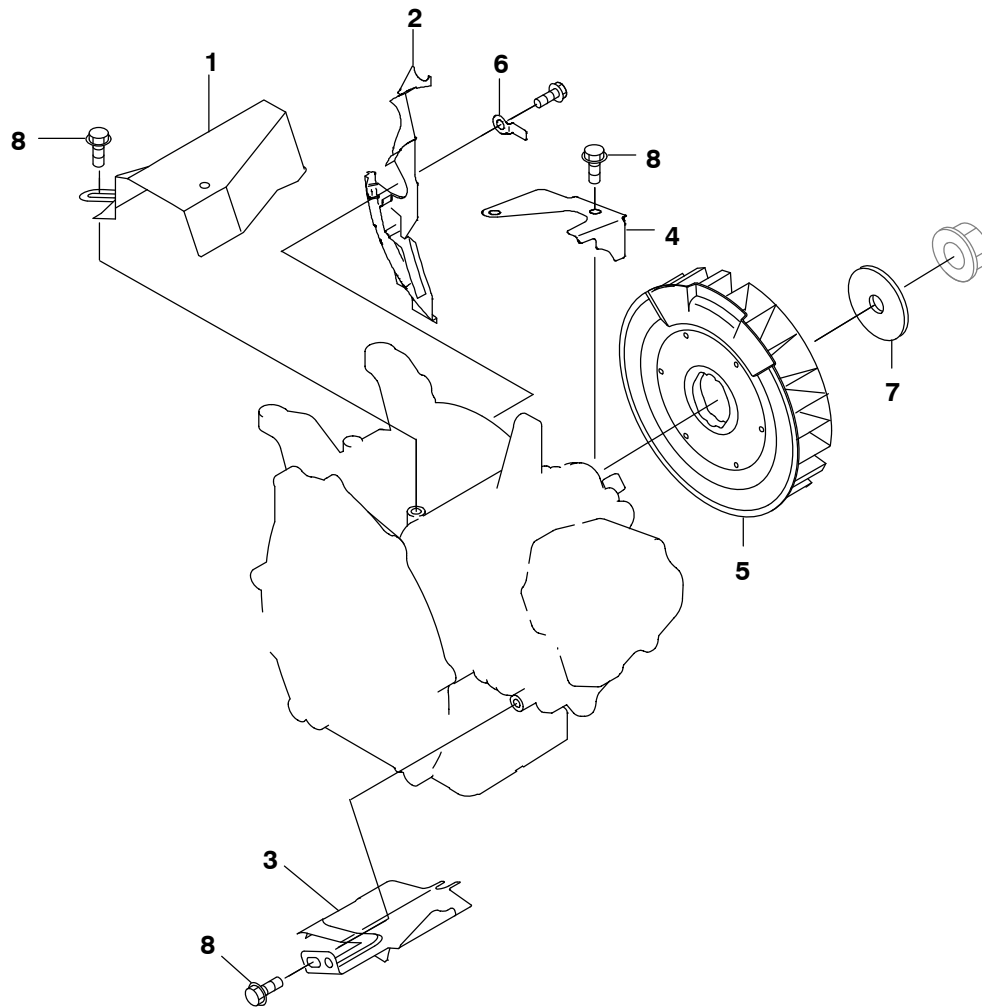
## Governor



Item	Part No.	Description	Qty
1		Spring, Governor	
	A043K696	60Hz – Silver	1
	A044A298	50Hz – Gold	1
2	A043K701	Rod, Governor	1
3	A043K708	Spring	1
4	A043K757	Arm, Governor	1
5	A043T407	Clip	1
6	A043V514	Shaft, Governor	1
7	A043V518	Screw	2
8	A043V539	Nut (M6)	1
9	A043V543	Control, Speed	1
10	800-6501	Screw, Hex Head (M6 x 1.0 x 25)	1
11	A043K735	Rod, Choke – Gas Engine	1

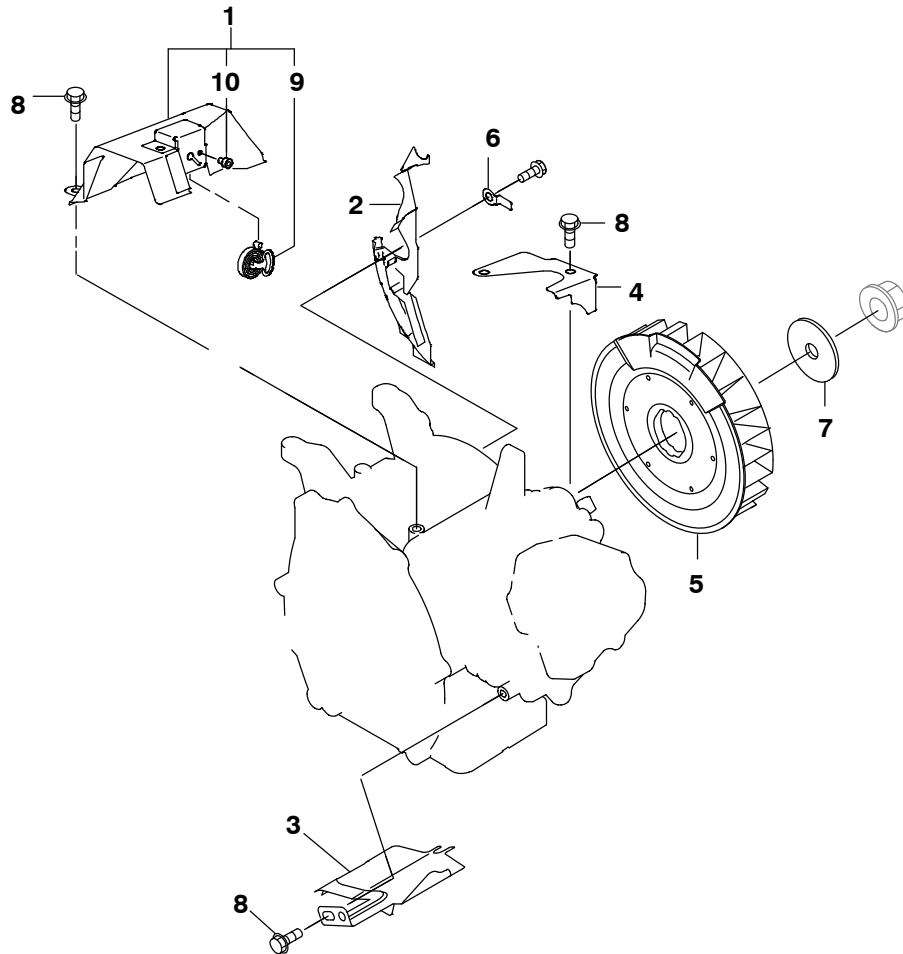


## Engine Cooling – LP



Item	Part No.	Description	Qty
1	A043X115	Duct, Air	1
2	A043V582	Baffle	1
3	A043V584	Baffle	1
4	A043V586	Baffle	1
5	A043V588	Fan	1
6	A043V600	Clamp	1
7	A043V602	Washer	1
8	187-6098	Flange, Bolt (M6 x 1.0 12)	5

## Engine Cooling – Gas



Item	Part No.	Description	Qty
1	A043K710	Cover, Choke	1
2	A043V582	Baffle	1
3	A043V584	Baffle	1
4	A043V586	Baffle	1
5	A043V588	Fan	1
6	A043V600	Clamp	1
7	A043V602	Washer	1
8	187-6098	Flange, Bolt (M6 x 1.0 12)	5
9	A043K716	Element, Thermostat	1
10	A043K723	Screw, Socket Head	1

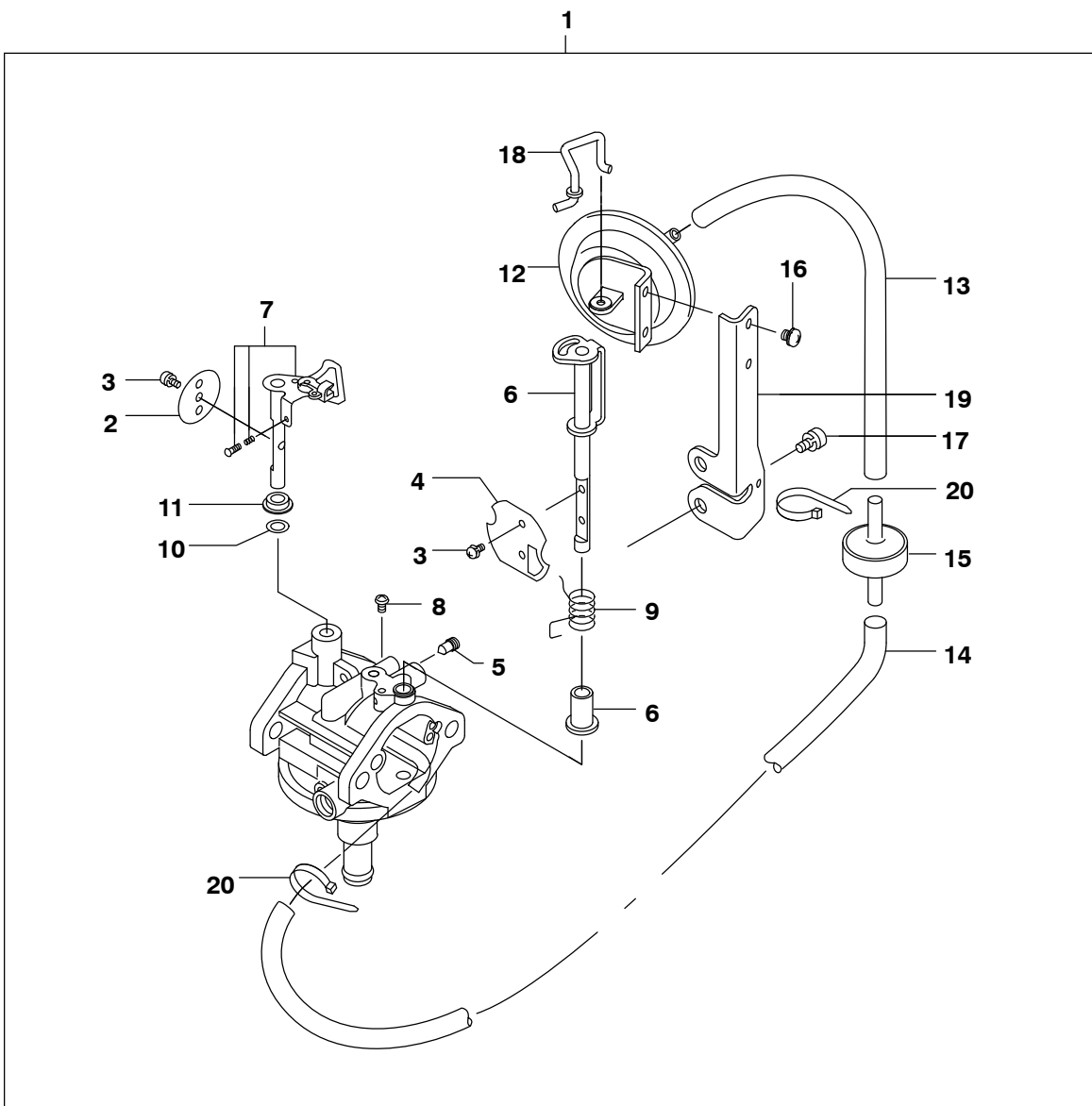
This page is Intentionally blank.



## Carburetor – Gas

Item	Part No.	Description	Qty
1	187-6130	Screw, Set	3
2		Valve, Float	
	187-6132	60Hz	1
	A044R521	50Hz	1
3		Carburetor	
	A043K683	60Hz	1
	A044R492	50Hz	1
4	187-6143	Filter, Throttle Shaft	1
5	187-6142	Needle, Adjusting	1
6	187-6150	Screw, Drain	1
7	187-6151	Spring, Drain	1
8	A043V604	Valve, Throttle	1
9	A043V612	Valve, Choke	1
10	A043V631	Jet	1
11	A043V655	Shaft, Choke	1
12	A043V847	Shaft, Throttle	1
13	A043V850	Plug, Float	1
14	A043V860	Pin, Float	1
15	A043V870	Chamber, Float	1
16	A043V872	Gasket, Plug	1
17	A043V876	Gasket, Float Chamber	1
18	A043V945	Valve, Float	1
19		Jet	
	A043V947	60Hz	1
	A044R613	50Hz	1
20	A043V949	Spring, Choke	1
21	A043V953	Collar, Choke	1
22	A043V979	Lever, Choke	1
23	A043V983	Collar, Throttle	1
24	A043V988	Plug	1
25	A043V991	Gasket, Chamber	1
26	A043V993	Jet	1
27	A043V995	Gasket, Main Jet Plug	1

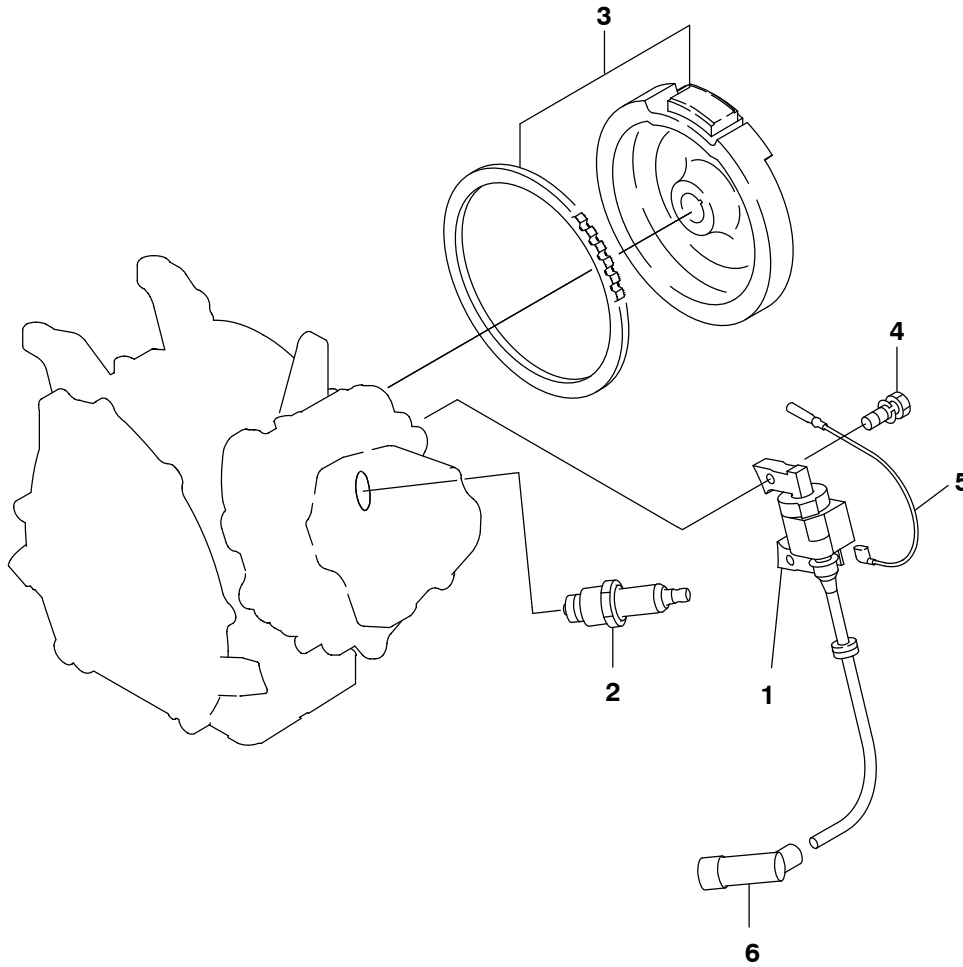
### Mixer - LP



## Mixer – LP

Item	Part No.	Description	Qty
1	A043K692	Mixer	1
2	A043X125	Valve, Throttle	1
3	187-6130	Screw, Set	3
4	A043X128	Valve, Choke	1
5	A043X143	Shaft, Choke	1
6	A043X145	Collar, Choke	1
7	A043V847	Shaft, Throttle	1
8	A043V988	Plug	1
9	A043X147	Spring, Choke	1
10	187-6143	Filter, Throttle Shaft	1
11	A043V983	Collar, Throttle	1
12	A043X155	Switch, Vacuum	1
13	A043X158	Hose (200mm)	1
14	A043X160	Hose (100mm)	1
15	A043X164	Valve	1
16	A043X170	Screw, Holder Set	2
17	A043X172	Screw, Opener Set	2
18	A043X174	Rod, Choke	1
19	A043X176	Bracket	1
20	332-3388	Band, Nylon	2

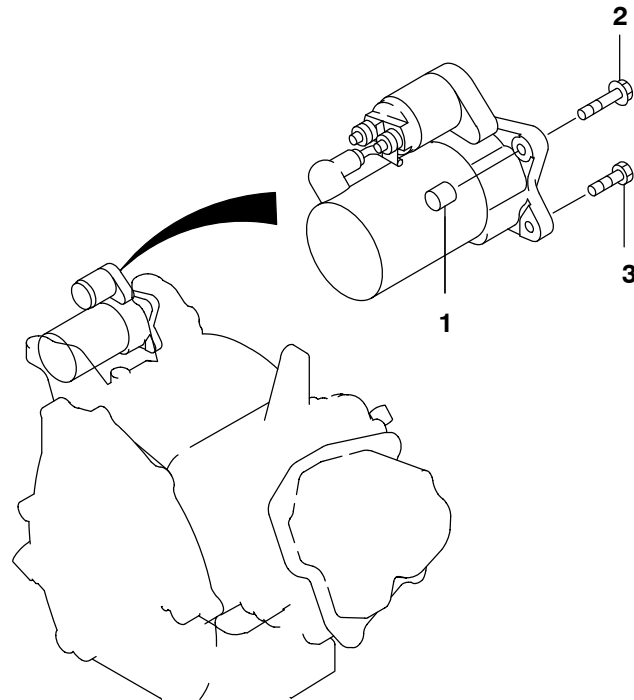
## Ignition Coil



Item	Part No.	Description	Qty
1	A043K694	Coil, Ignition	1
2	A043K739	Plug, Spark	1
3	A043W027	Flywheel	1
4	A043W174	Flange, Bolt (M6 x 1.0 x 20)	2
5	A043W188	Wire	1
6	A043W191	Plug, Spark – Cap	1

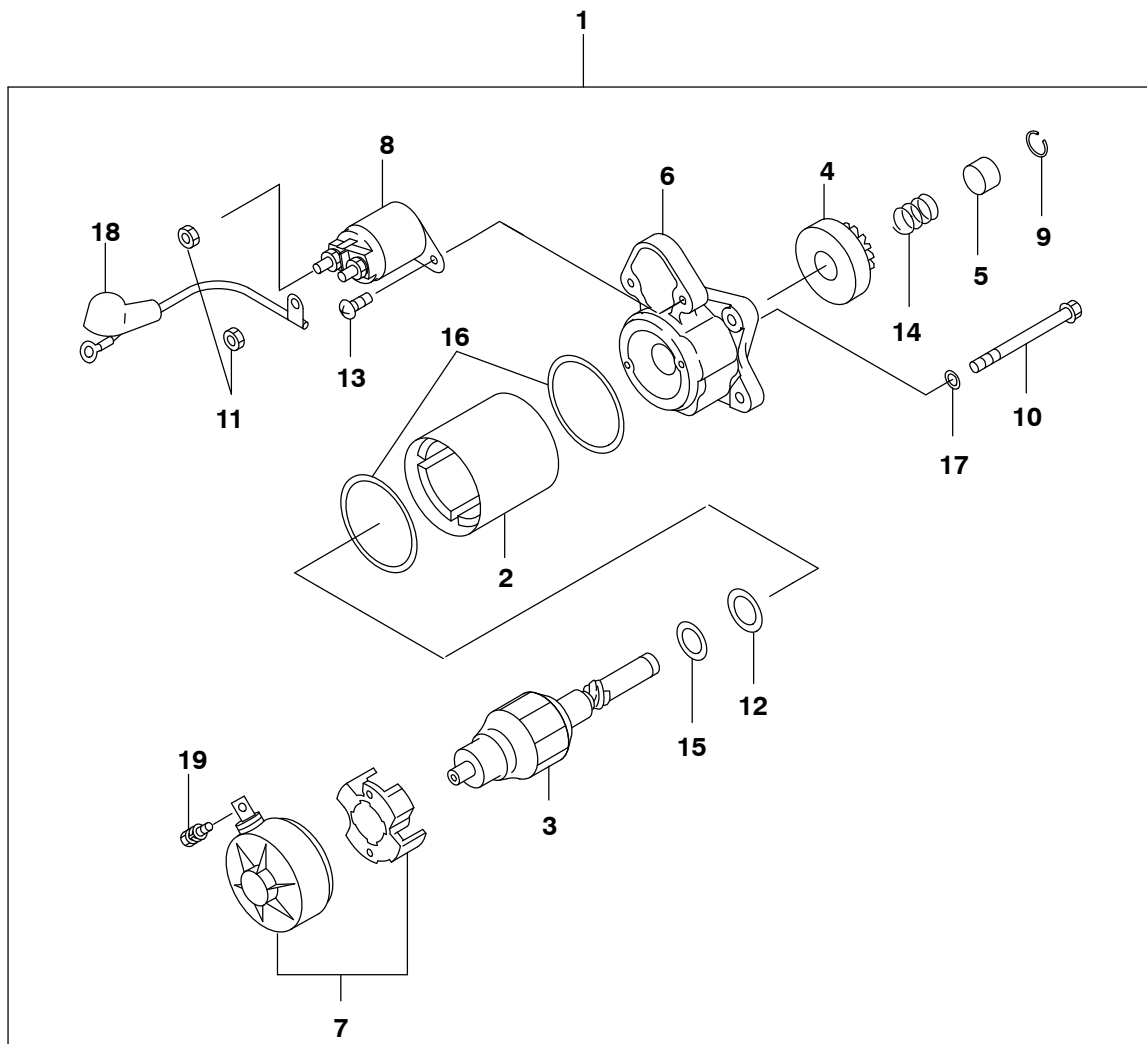


## Starter Mounting



Item	Part No.	Description	Qty
1	A043W197	Pin, Dowel	1
2	A043W199	Flange, Bolt (M6 x 1.0 x 20)	1
3	A043W803	Flange, Bolt (M6 x 1.0 x 30)	1

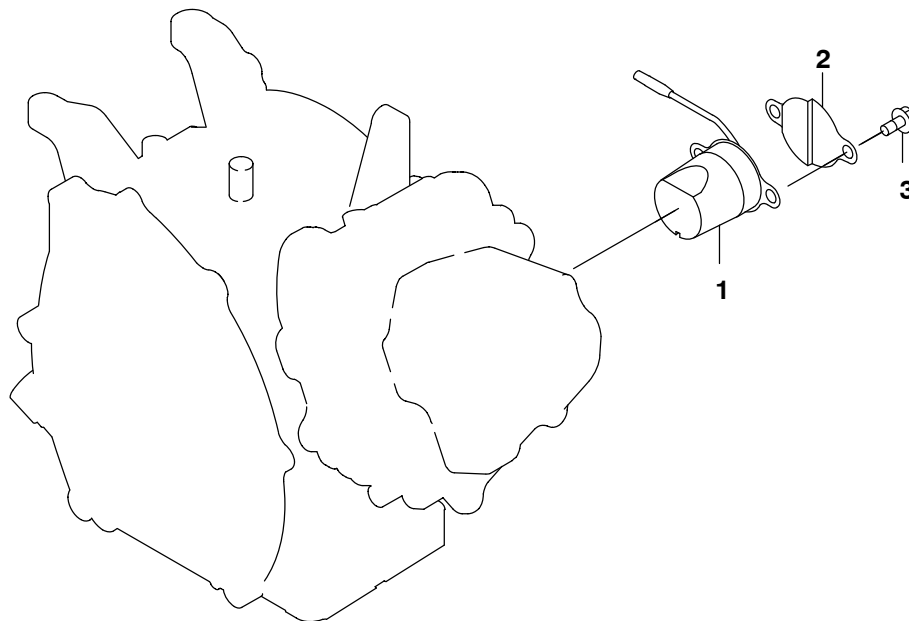
### Starter



## Starter

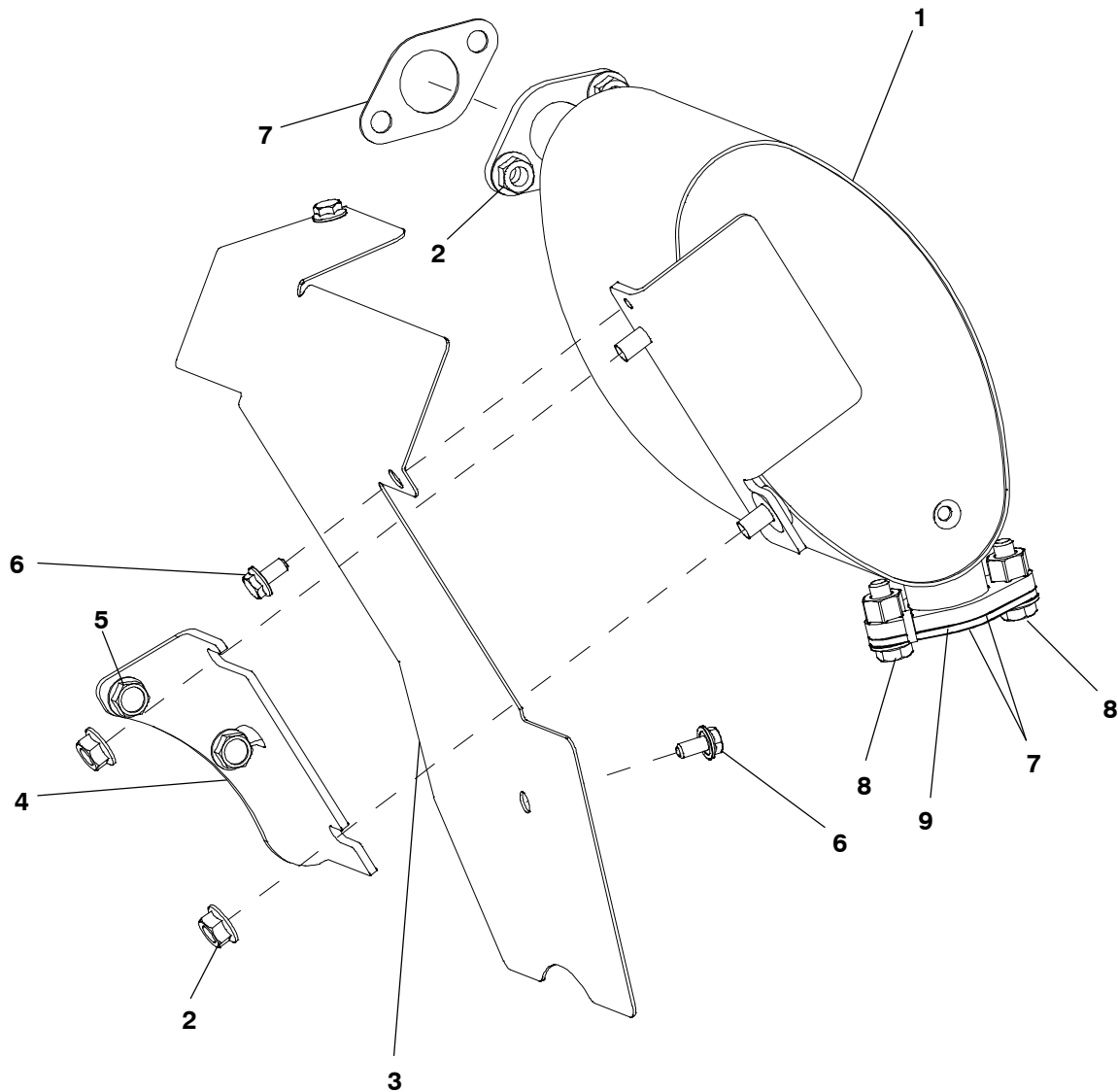
Item	Part No.	Description	Qty
1	A043K745	Motor, Starter	1
2	A043W536	Yoke Assembly	1
3	A043W539	Armature, Wound	1
4	A043W546	Armature Assembly	1
5	A043W552	Nut	1
6	A043W556	Housing, Starter	1
7	A043W562	Starter	1
8	A043W571	Solenoid, Starter	1
9	A043W573	Ring, Snap	1
10	A043W575	Bolt	2
11	A043W577	Nut	2
12	A043W579	Washer	1
13	A043W598	Screw	2
14	A043W602	Spring	1
15	A043W610	Collar	1
16	A043W614	Seal, O Ring	2
17	A043W616	Seal, O Ring	2
18	A043W620	Wire	1
19	A043W622	Bolt	1

## Oil Sensor



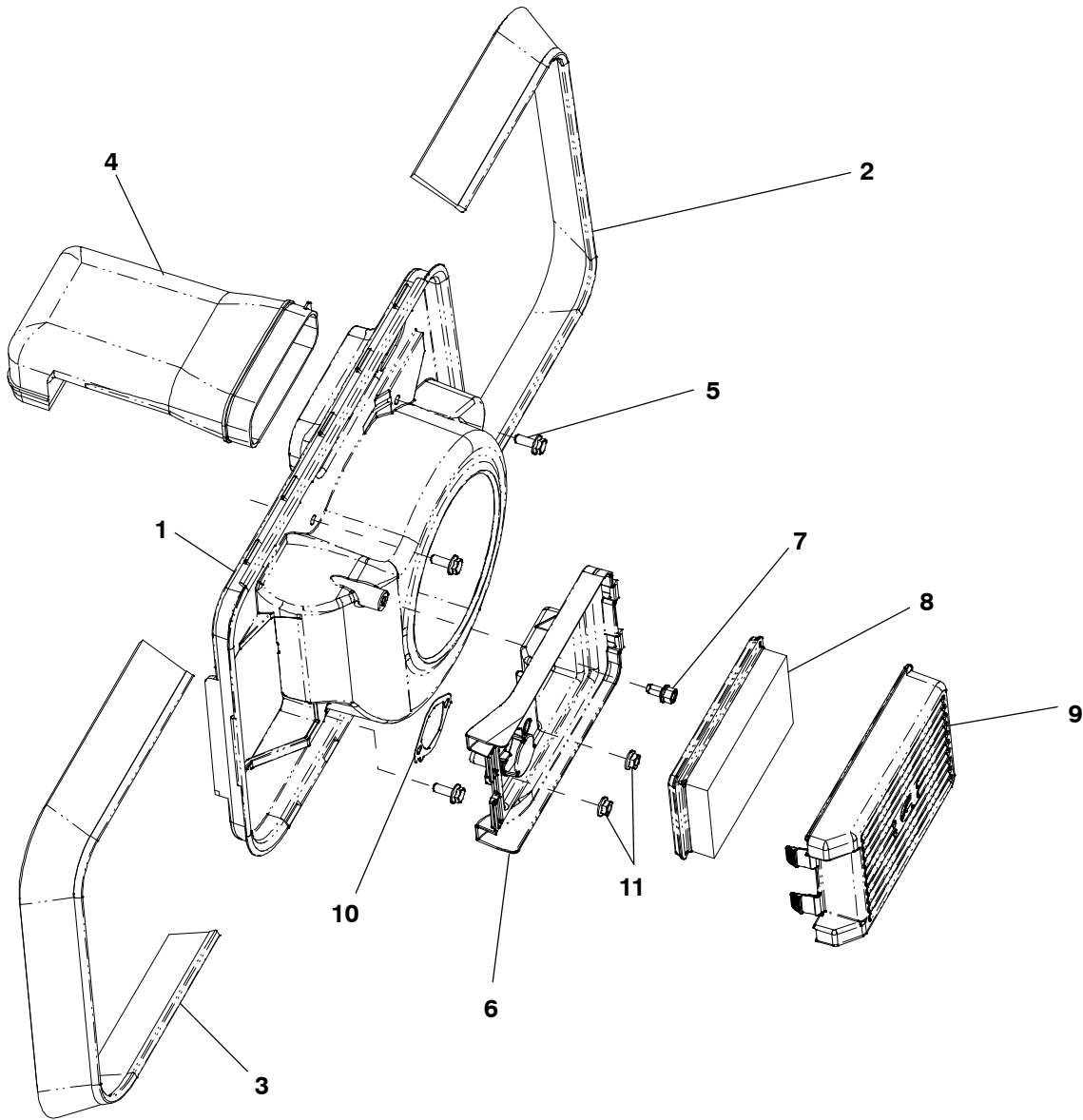
Item	Part No.	Description	Qty
1	A043K743	Switch, Oil	1
2	A043W624	Shield, Plate	1
3	A043W626	Flange, Bolt (M6 x 1.0 x 14)	2

## Exhaust System



Item	Part No.	Description	Qty
1	A040N517	Silencer, Exhaust	1
2	870-0557	Nut, Flange	4
3	A035P682	Shield, Heat	1
4	A040S467	Support, Exhaust	1
5	815-0829-06	Screw, Hollow Head	2
6	821-2032	Screw, Flange Head Lock	2
7	A041N318	Gasket, Exhaust	3
8	821-2047	Screw, Hex Head	2
9	A040R067	Arrestor, Spark	1

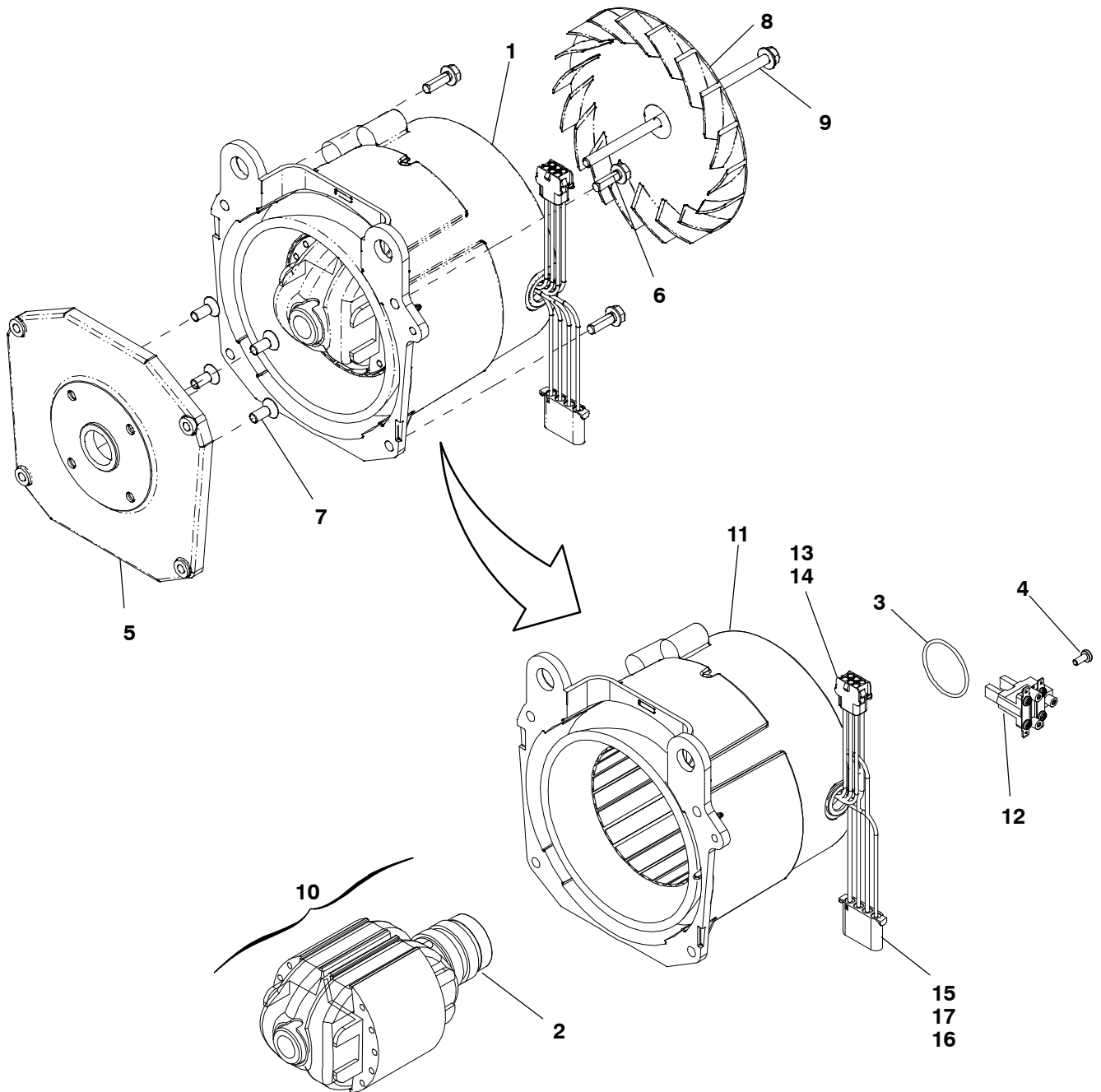
## Cooling System



Item	Part No.	Description	Qty
1	A040Y392	Panel, Air Baffle	1
2	A034E967	Seal, Brush – Left	1
3	A034E965	Seal, Brush – Right	1
4	A040D485	Tube, Flexible	1
5	821-2033	Screw, Flange Head Lock	3
6	A040D382	Housing, Air Filter	1
7	815-0943-02	Screw, Hollow Head	1
8	A030Y328	Filter, Air	1
9	A040D384	Cover, Air Filter	1
10	140-2771-01	Gasket	1
11	870-2065-02	Nut	2

This page is Intentionally blank.

### Generator Spec A



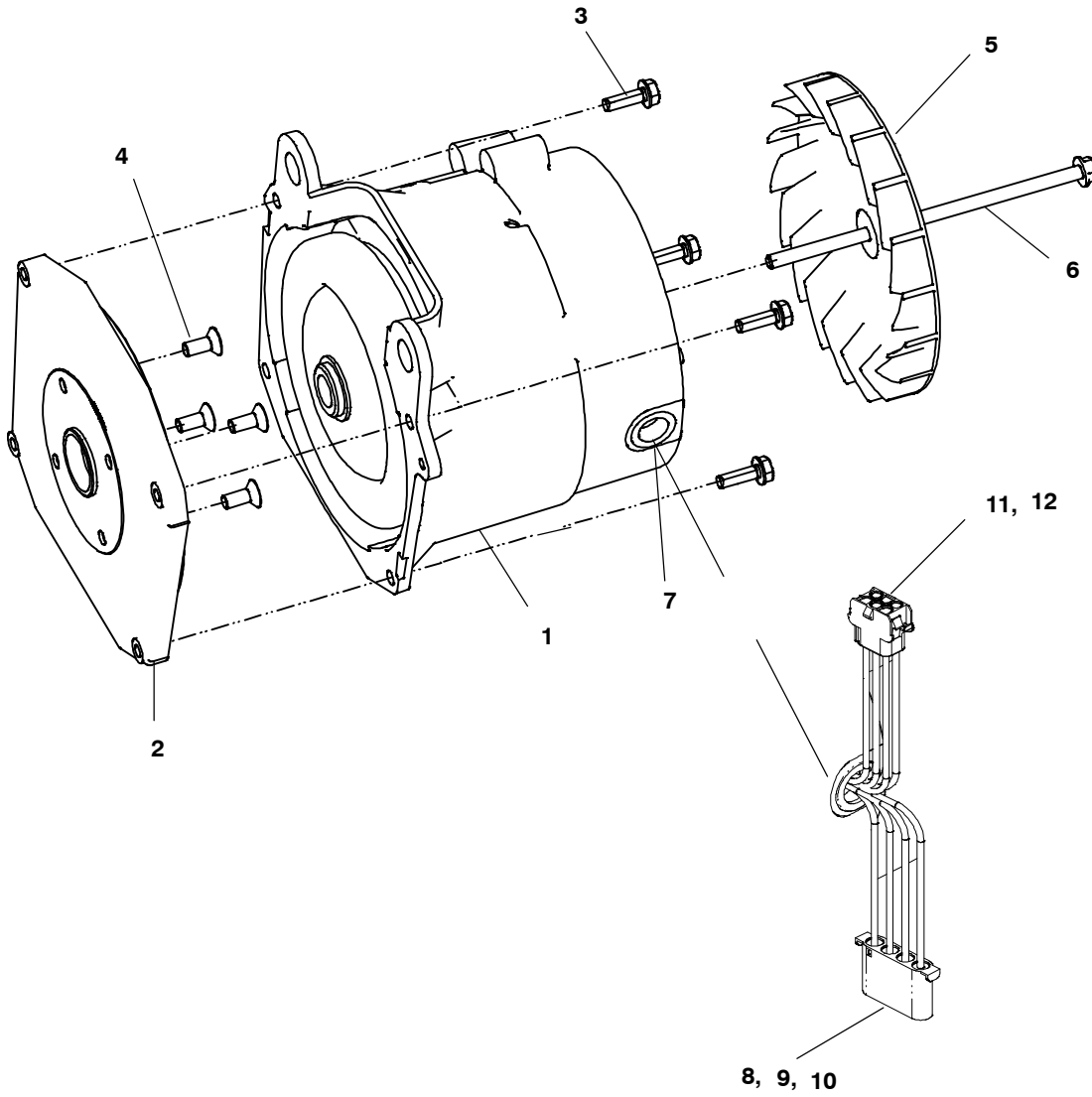


## Generator

Item	Part No.	Description	Qty
1		Generator (Includes Parts Marked *)	
	A040A101	60Hz	1
	A040F434	50Hz	1
2	A035N182	*Bearing, Ball	1
3	A043U459	*Seal, O Ring	1
4	823-1006-03	*Screw, Pan Head	1
5	A040D550	Adapter, Generator	1
6		Screw, Hollow Head	
	815-0829-05	60Hz	4
	815-0829-06	50Hz	4
7	A040G046	Screw, Countersunk Socket Head	4
8	A040A412	Fan	1
9	A040B848	Bolt, Hex Head	1
10	A035L407	*Rotor, Generator	1
11		*Stator, Generator	
	A043H186	60Hz	1
	A043W898	50Hz	1
12		*Block, Brush	1
	A043H188	Spec A	1
	A056U822	Spec B	1
13	323-1318	*Cap, Connector	1
14	A043U972	*Contact, Pin	6
15	A043U974	*Connector, Receptacle – 60Hz	1
16	A043Z620	*Connector, Plug – 50Hz	1
17		*Contact, Pin	
	A043U983	60Hz	4
	A043Z622	50Hz	2

**\*Note– Rotor and Stator for Spec A now only available as combined generator part:  
 60Hz A054X887, 50Hz A054X889.**

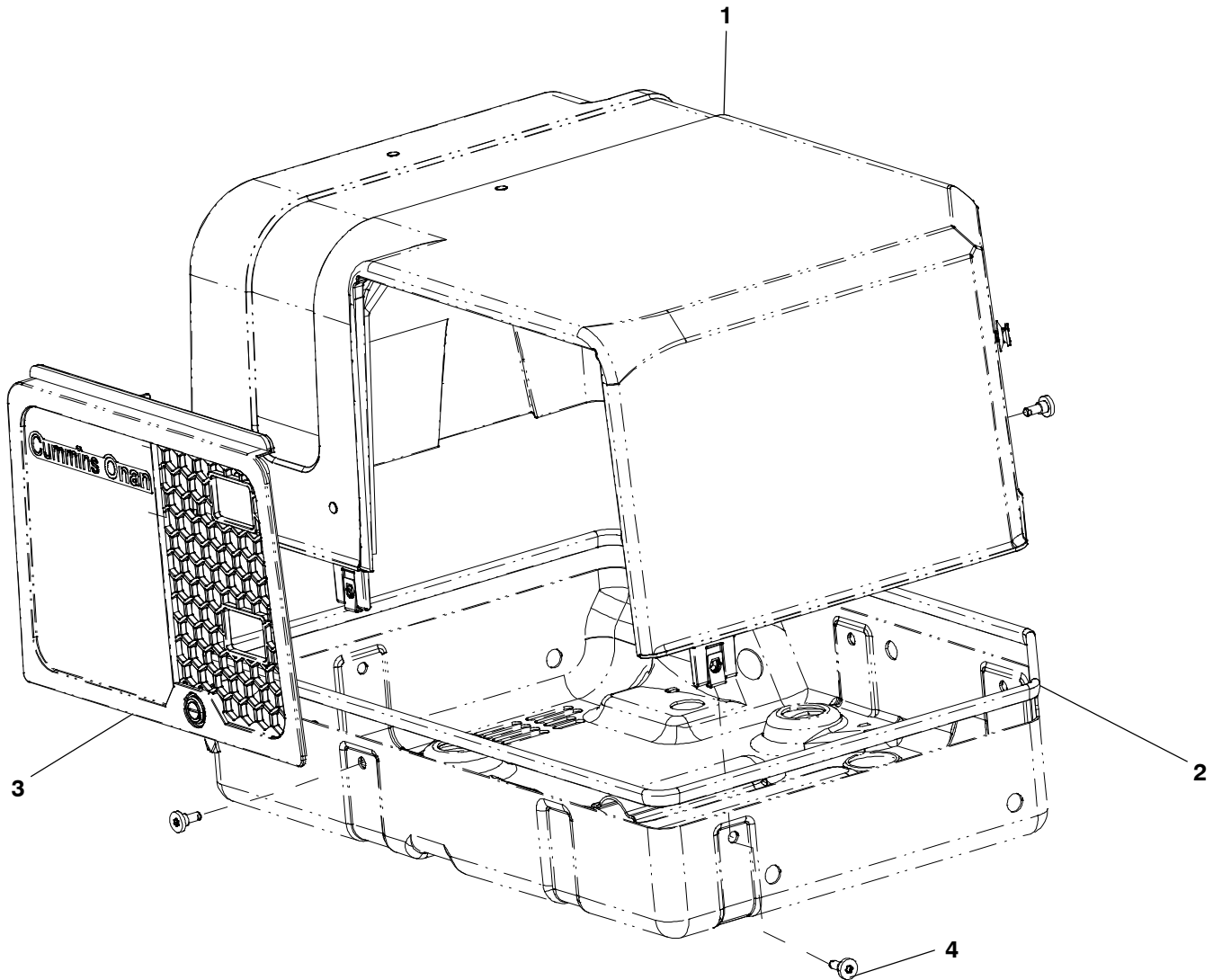
### Generator (Begin Spec B)



## Generator

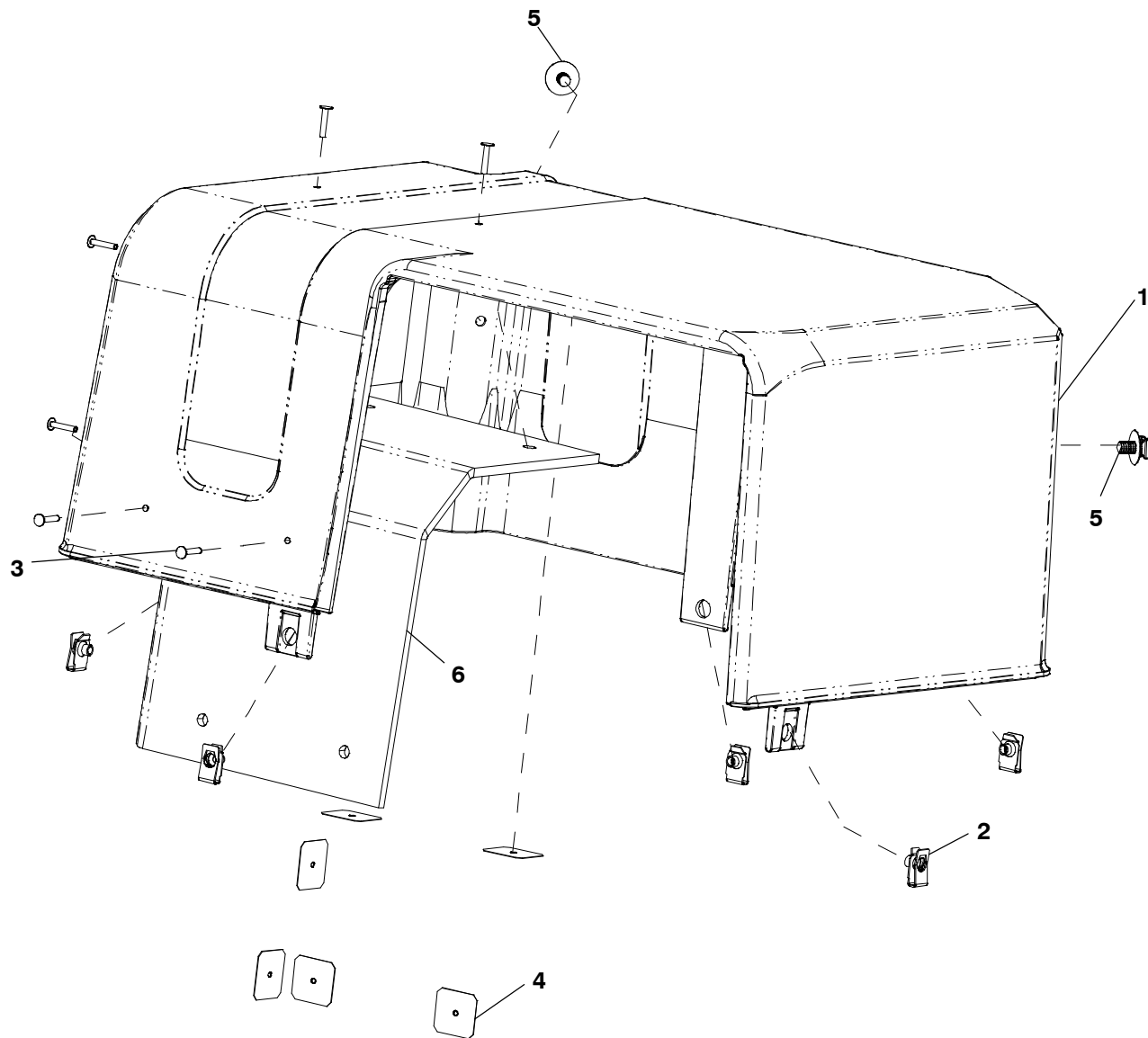
Item	Part No.	Description	Qty
1		Generator (Includes Parts Marked *)	
	A054X887	60Hz	1
	A054X889	50Hz	1
2	A040D550	Adapter, Generator	1
3	815-0829-05	Screw, Hollow Head	4
4	A040G046	Screw, Countersunk Socket Head	4
5	A040A412	Fan	1
6	A040B848	Bolt, Hex Head	1
7	508-0251	*Bushing	1
8	323-1318	*Cap, Connector	1
9	A043U972	*Contact, Pin	6
10	A043U974	*Connector, Receptacle – 60Hz	1
11	A043Z620	*Connector, Plug – 50Hz	1
12		*Contact, Pin	
	A043U983	60Hz	4
	A043Z622	50Hz	2

## Enclosure



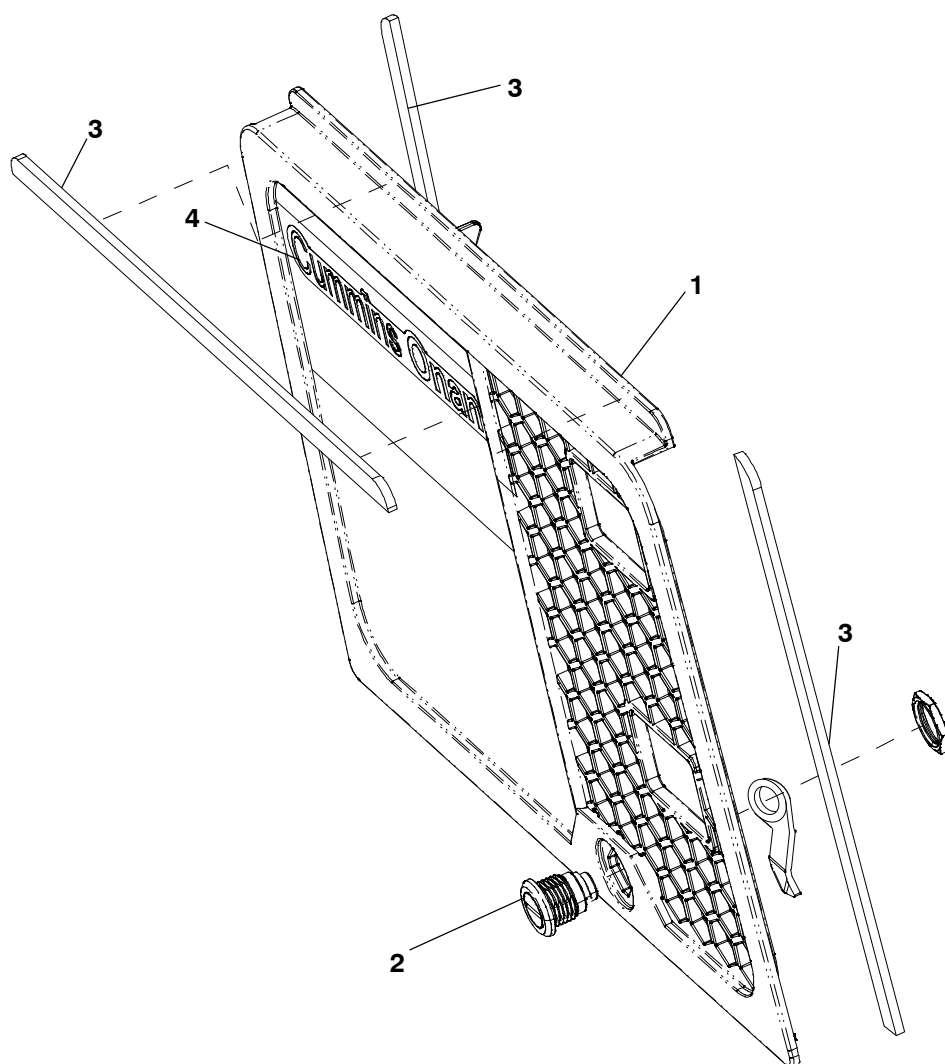
Item	Part No.	Description	Qty
1	A040D873	Cover, Enclosure (See Page 43 for Components)	1
2	A031C118	Edging	1
3	A034S778	Door, Enclosure (See Page 44 for Components)	1
4	823-0015	Screw, Torx	5

### Enclosure Cover



Item	Part No.	Description	Qty
1	A040B393	Cover, Enclosure	1
2	870-0542	Nut, Self Retaining	5
3	818-0226-02	Rivet	6
4	870-0462	Nut, Push On	6
5	332-4425	Tie, Cable	2
6	A041F155	Insulation, Enclosure	1

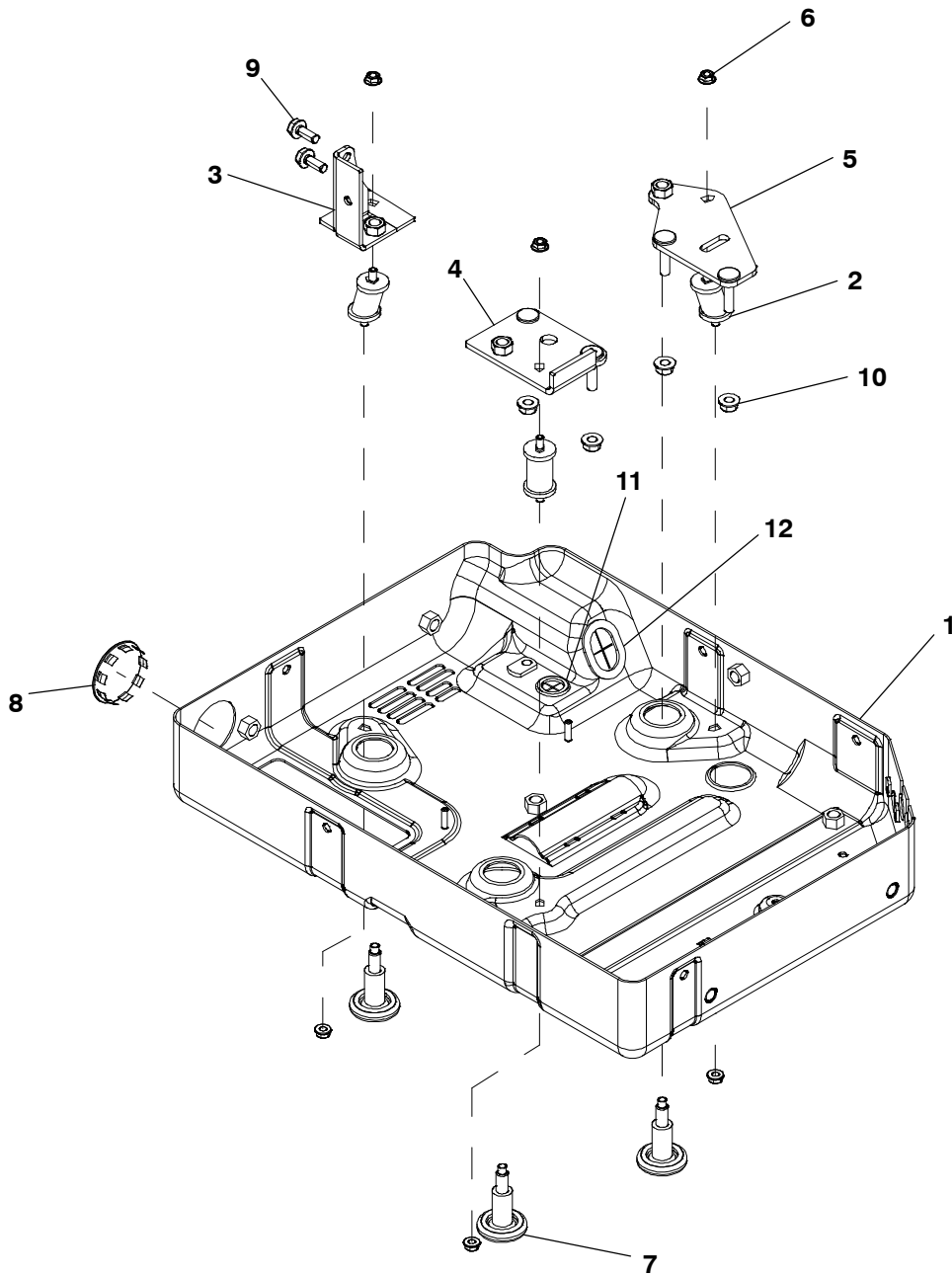
## Enclosure Door



Item	Part No.	Description	Qty
1	A040D552	Panel, Service	1
2	A034R762	Latch, Mechanical	1
3	405-4311-01	Gasket	2.2 Feet
4	098-8718	Label, Logo	1

This page is Intentionally blank.

## Mounting System

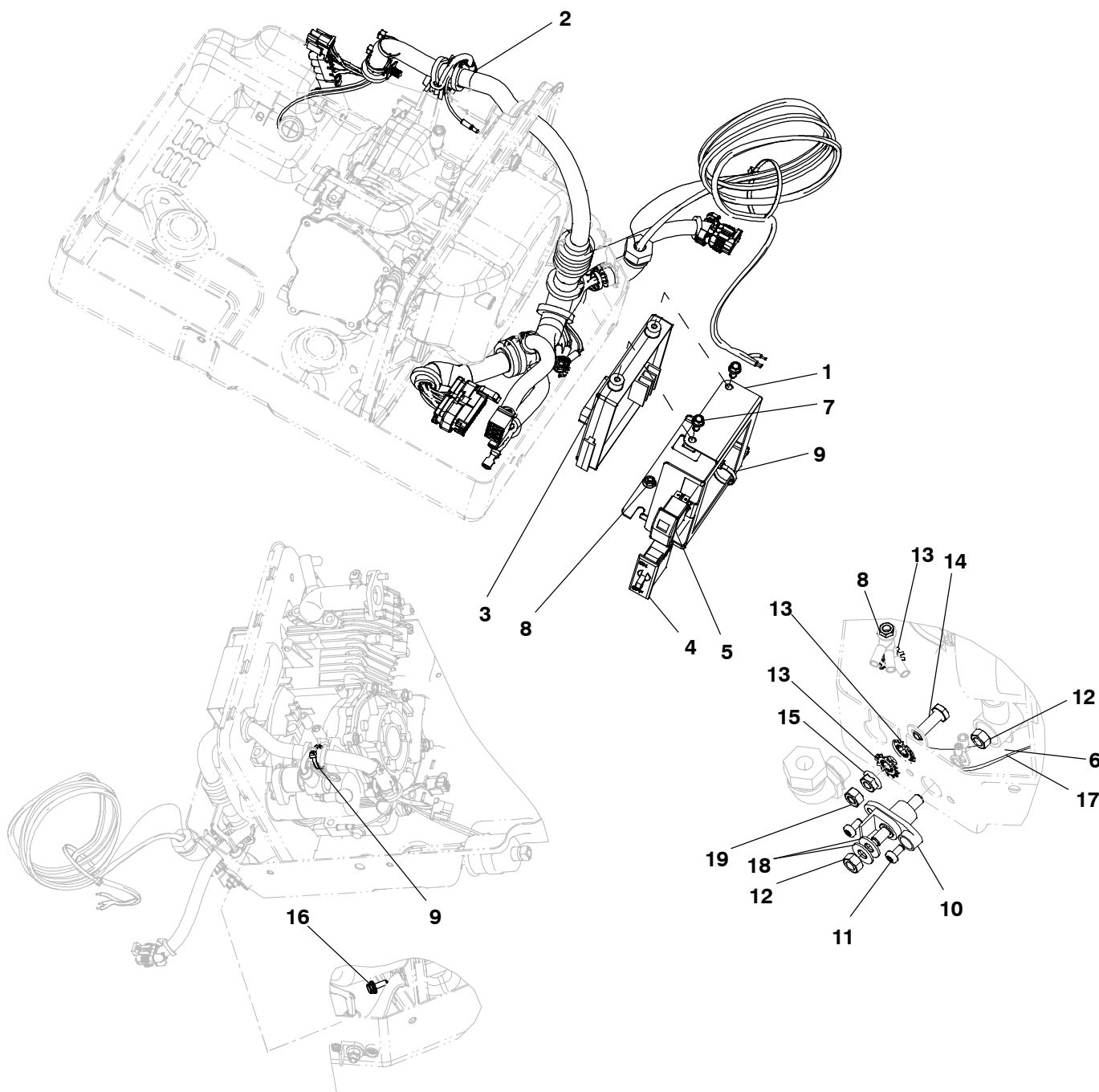




## Mounting System

Item	Part No.	Description	Qty
1	A035G349	Base, Enclosure	1
2	A040B331	Isolator	3
3	A035P562	Bracket, Alternator	1
4	A040J170	Bracket, Engine Mounting	1
5	A040J172	Bracket, Engine Mounting	1
6	870-2054	Nut, Flange Lock	6
7	A035R160	Screw, Failsafe	3
8	A035R379	Plug, Cap	1
9	815-0829-06	Screw, Hollow Head	2
10	870-2065-03	Nut, Hex Flange	4
11	508-1122	Grommet	1
12	A042W826	Grommet, Rubber	1
13	A048V866	Kit, Mounting Bolt	1

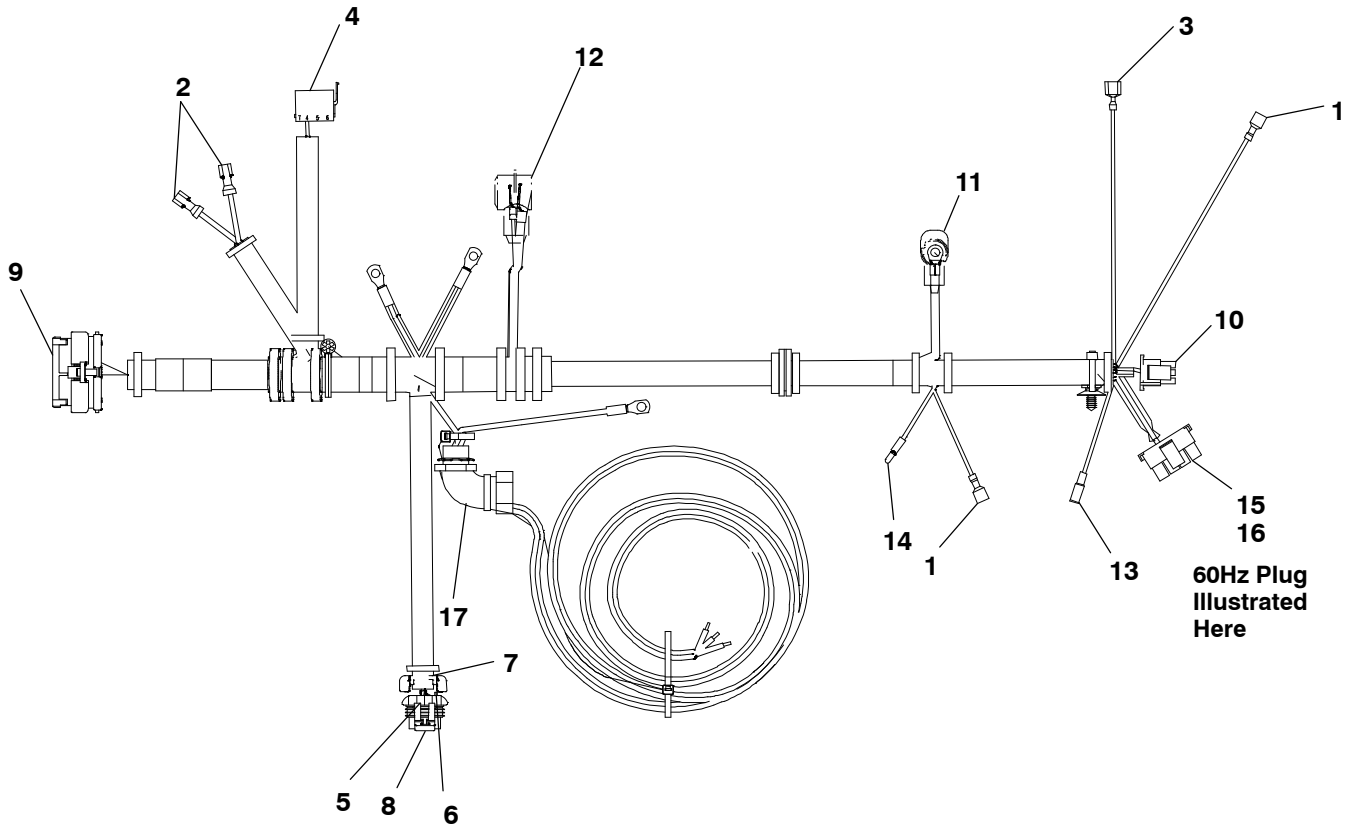
## Control



## Control

Item	Part No.	Description	Qty
1	A034S225	Bracket, Control	1
2		Harness, Control (See Page 50 for Components)	
	A032X554	60Hz	1
	A042P080	50Hz	1
3	A032Y912	Card, Control	1
4		Breaker, Circuit	
	A040E977	2.8HGJBB-1120A – 60Hz Std. Gas (25A)	1
	A043F922	2.5HGJBB-1121A – 60Hz Std. LP (21A)	1
	A040F044	2.3HGJBB-1122A – 50Hz Gas (10A)	1
	A040F044	2.3HGJBB-1123A – 50Hz LP (10A)	1
	A040E979	2.8HGJBB-1124A – 60Hz 100V Gas (30A)	1
	A040E977	2.8HGJBB-1125A – 60Hz Ret. Gas (25A)	1
	A043F922	2.5HGJBB-1126A – 60Hz Ret. LP (21A)	1
5	308–1038	Switch, Rocker	1
6	337–0049	Strap, Electrical	1
7	815–0943–02	Screw, Hollow Head	2
8	870–2065–02	Nut, Hex Flange	2
9	332–3388	Tie, Cable	2
10	A042W129	Block, Terminal	1
11	823–1006–02	Screw, Pan Head	2
12	871–0025	Nut	2
13	856–0008	Washer, Lock	3
14	800–0028	Screw, Hex Head	1
15	870–0257	Nut, Lock	1
16	821–2033	Screw, Flange Head Lock	1
17	A044A185	Sleeve	1
18	526–0054	Washer, Flat	2
19	862–0015	Nut, Hex	1

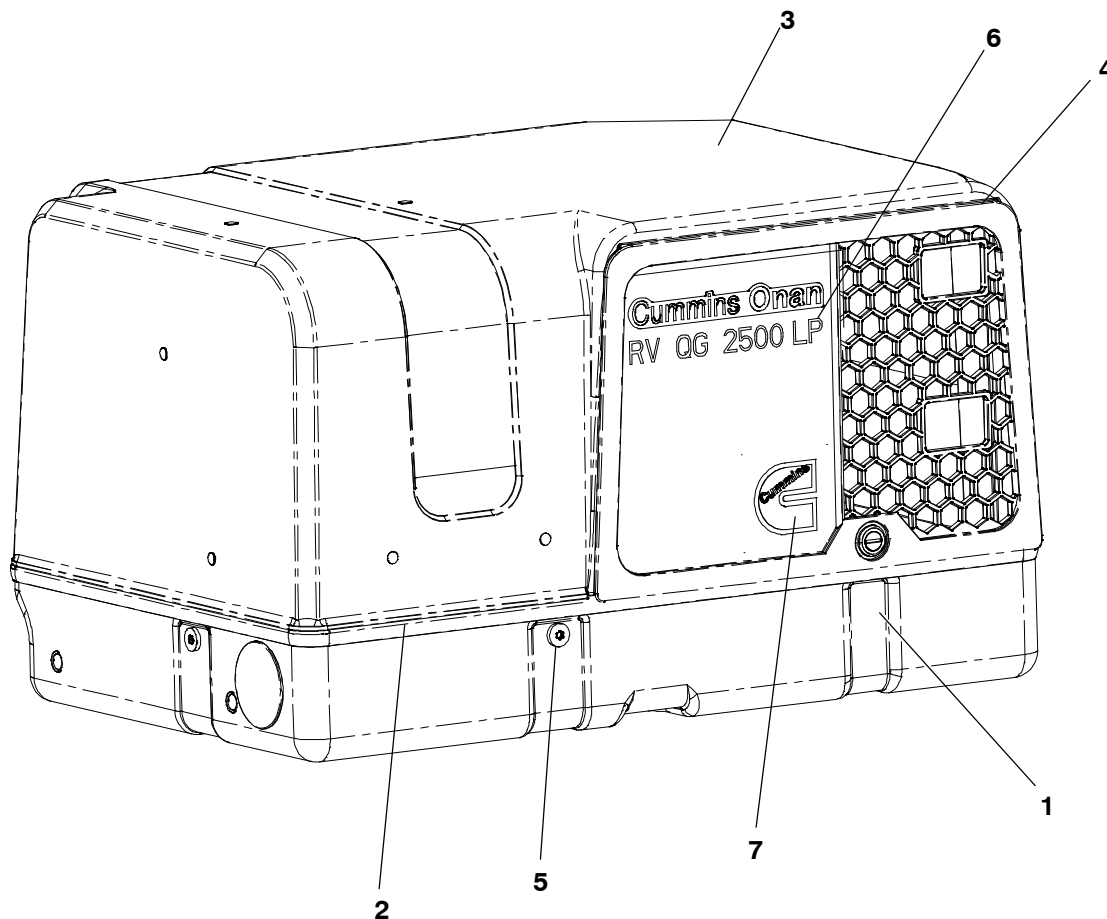
## Control Harness



Item	Part No.	Description	Qty
		Harness, Control	
	A032X554	60Hz	1
	A042P080	50Hz	1
1	332-1992	Terminal, Receptacle	2
2	332-1995	Terminal	2
3	332-2430	Terminal, Receptacle	1
4	308-1019	Connector, Switch	1
5	323-1708	Seal, Cable	6
6	323-1712	Plug, Cavity	1
7	323-1741	Housing, Lock	1
8	323-1743	Connector, Plug	1
9	323-1819-01	Connector, Plug	1
10	323-1932	Plug, Pin	1
11	416-1021-03	Boot	1
12	416-1021-05	Boot	1
13	A029B483	Connector, Socket	1
14	A035B905	Connector, Plug	1
15	A040V025	Connector, Plug (60Hz)	1
16	A043Z619	Connector, Socket (50Hz)	1
17	0331-0521	Elbow, 90° Conduit	1

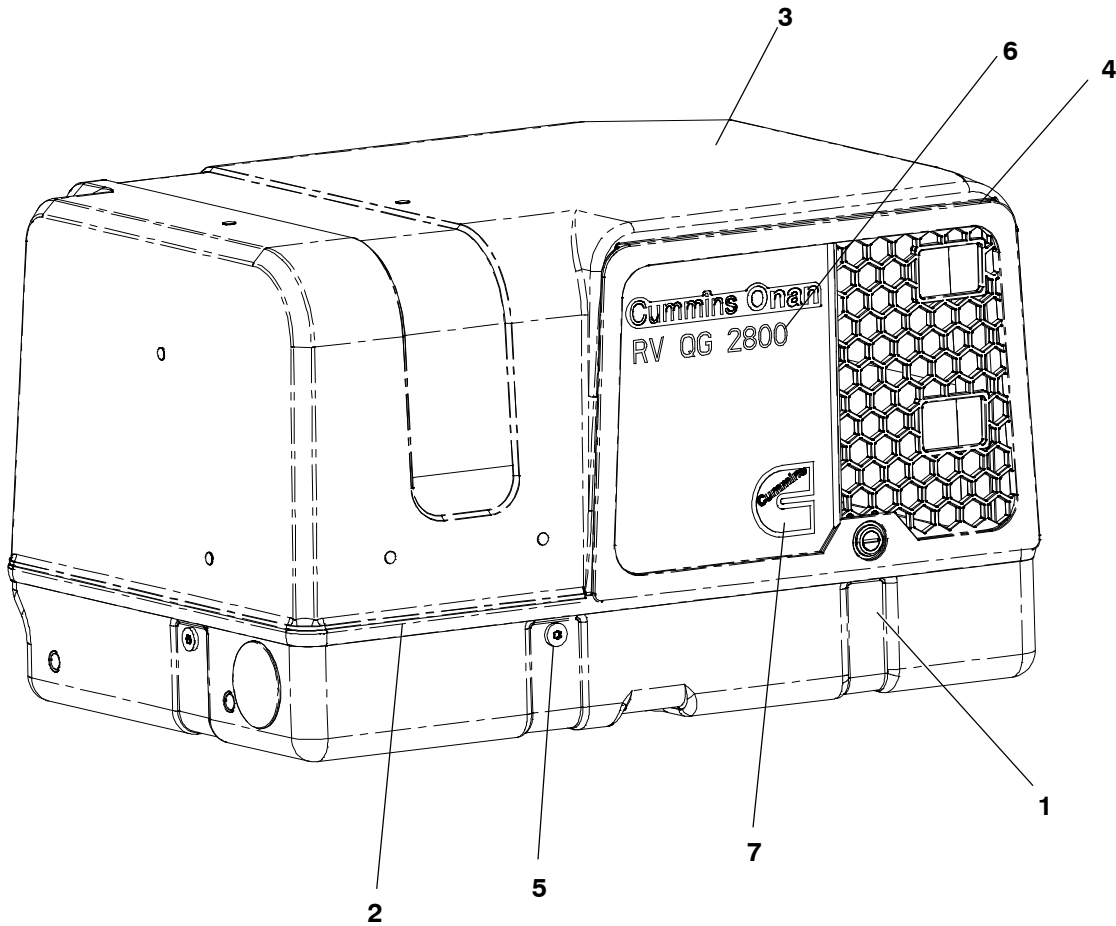
## Accessory Kits

### LP Display Shell



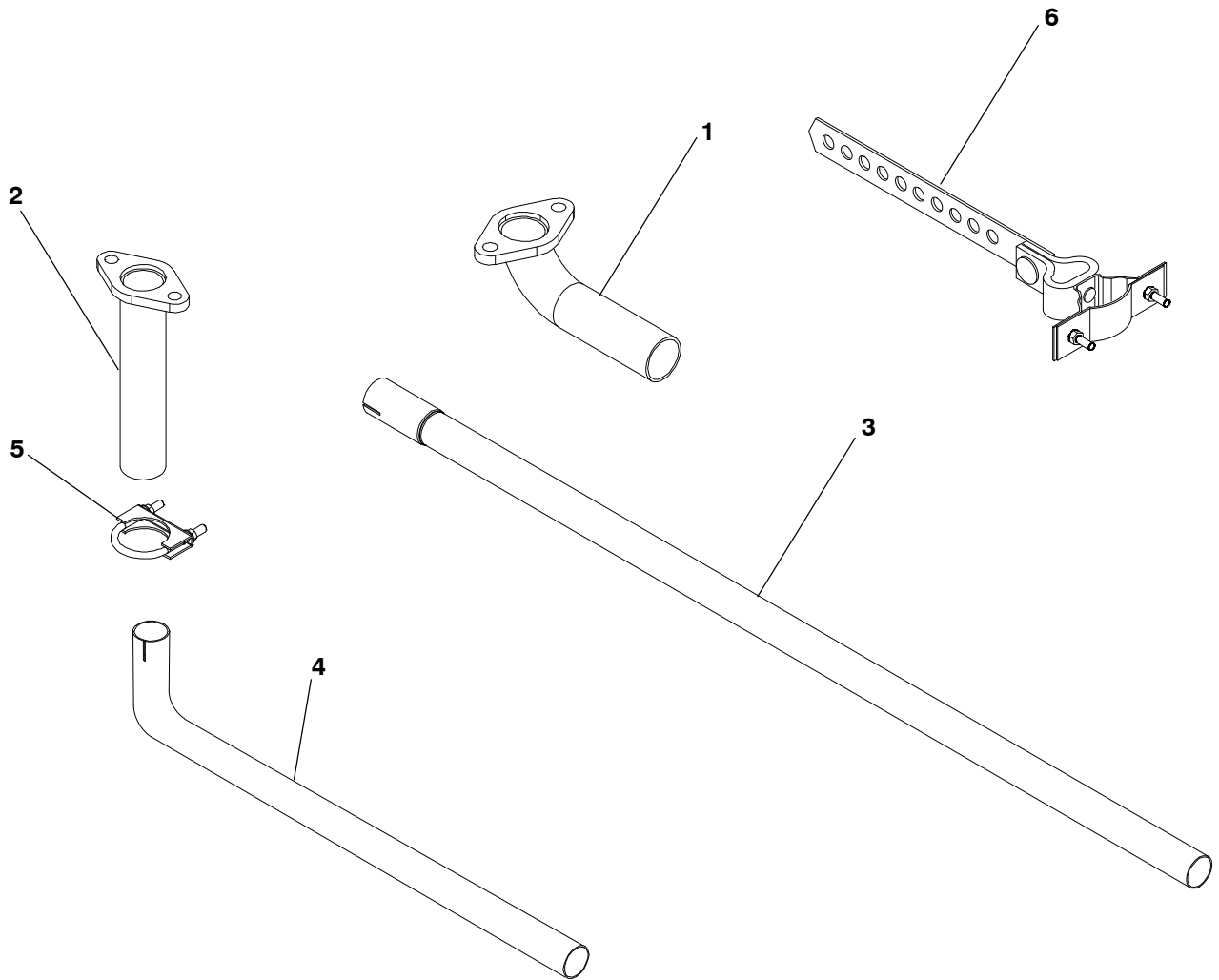
Item	Part No.	Description	Qty
	A041Y361	Kit, LP Display Shell (Includes Parts Marked *)	
1	A035G349	*Base, Enclosure	1
2	A031C118	*Edging	1
3	A040D873	*Cover, Enclosure	1
4	A034S778	*Door, Enclosure	1
5	823-0015	*Screw, Torx	5
6	098-8764	*Label, Logo	1
7	098-8720	*Label, Logo	1

## Gas Display Shell



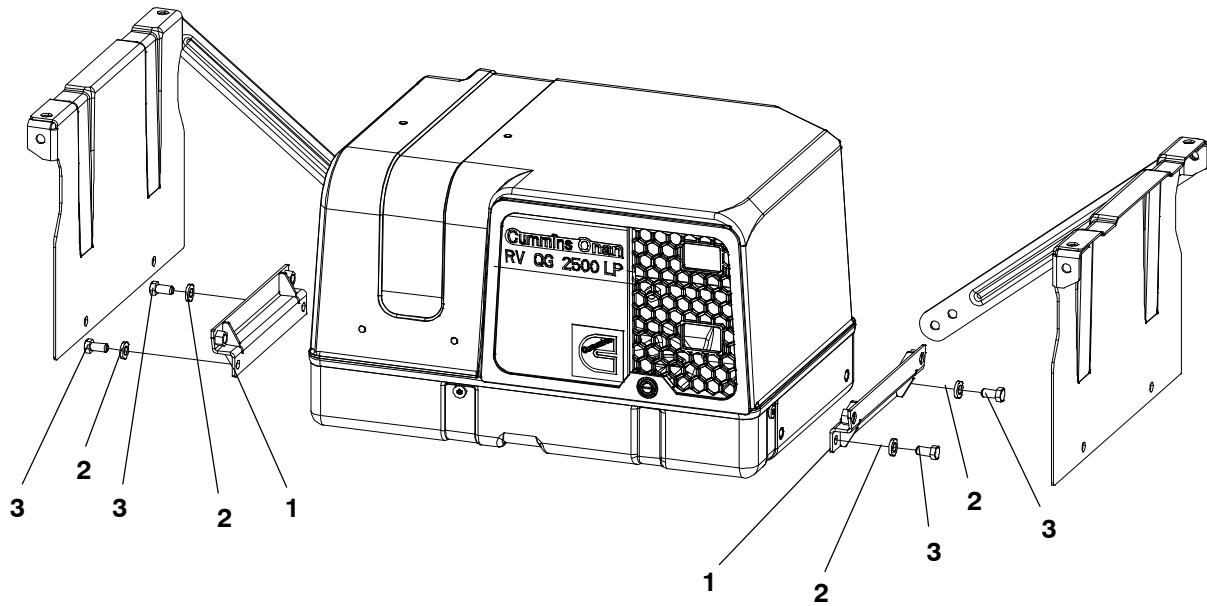
Item	Part No.	Description	Qty
	A041Y359	Kit, Gas Display Shell (Includes Parts Marked *)	
1	A035G349	*Base, Enclosure	1
2	A031C118	*Edging	1
3	A040D873	*Cover, Enclosure	1
4	A034S778	*Door, Enclosure	1
5	823-0015	*Screw, Torx	5
6	098-8722	*Label, Logo	1
7	098-8720	*Label, Logo	1

## Exhaust Pipe



Item	Part No.	Description	Qty
1	A041H694	Elbow, Exhaust	1
2	A041L816	Exhaust – Straight	1
3	A044H318	Pipe, Exhaust (Used With Item 1)	1
	155-2325	Kit, Exhaust (Used With Item 2 – Includes Parts Marked *)	
4	A026E103	*Connection, Exhaust	1
5	155-1257	*Clamp, Muffler	1
6	155-2174-01	*Hanger, Exhaust	1
	G-0063	*Sheet, Instruction	1

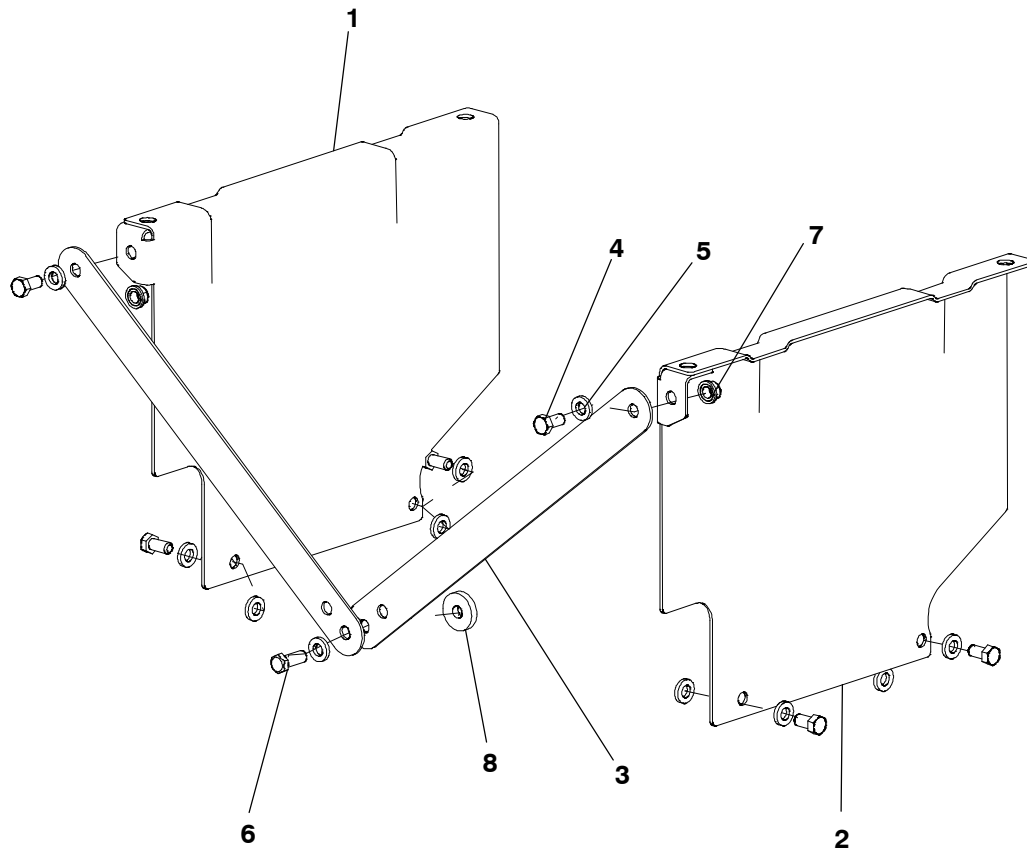
## Retrofit Kit High Altitude Kit



Item	Part No.	Description	Qty
	A043F935	Kit, Retrofit (Includes Parts Marked *)	
	A042V579	Kit, High Altitude (Fuel System)	
1	A041Y811	*Bracket, Genset Mounting	2
2	526-0174	*Washer, Flat	4
3	800-0048	*Screw, Hex Head	4

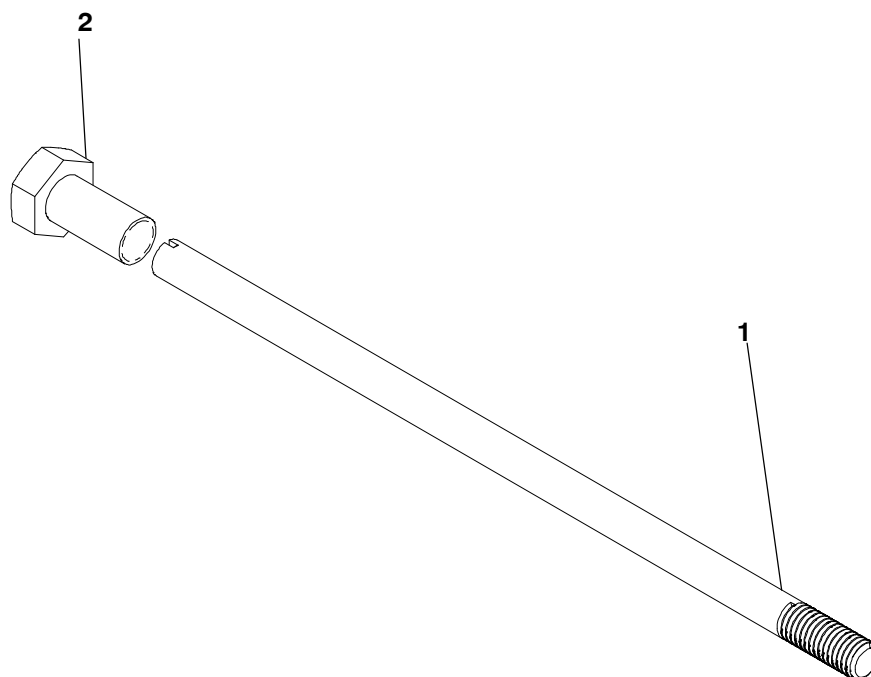


## Underfloor Kit Mounting Templates



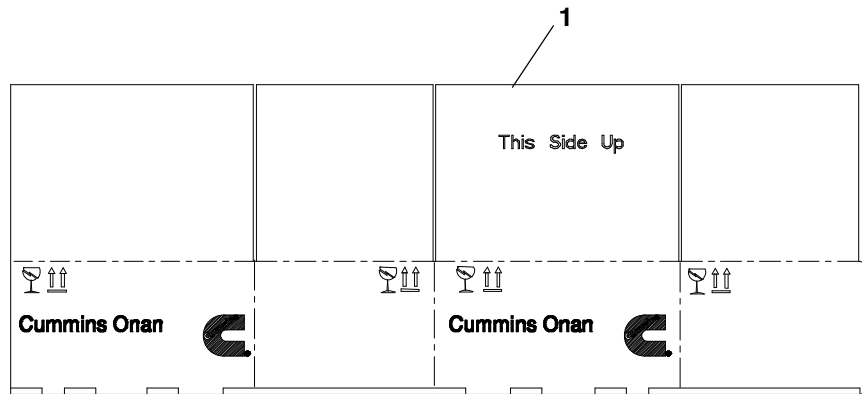
Item	Part No.	Description	Qty
	A042W103	Kit, Underfloor (Includes Parts Marked *)	
1	A042R430	*Bracket, Genset Mounting	1
2	A042R432	*Bracket, Genset Mounting	1
3	A042T911	*Brace, Mount	2
4	800-0048	*Screw, Hex Head	6
5	526-0174	*Washer, Flat	11
6	800-0050	*Screw, Hex Head	1
7	870-0281	*Nut, Lock	2
8	526-0077	*Washer	1
9	A043F758	*Sheet, Instruction	1

## Rotor Service Tool Kit



Item	Part No.	Description	Qty
	A043U423	Kit, Hardware (Includes Parts Marked *)	
1	A043U413	*Stud	1
2	800-2085	*Screw, Hex Head	1

## Shipping Carton



Item	Part No.	Description	Qty
1	A043Y017	Carton, Shipping	1

This page is Intentionally blank.

## Topical Index

### A

Adapter, Generator, **39** , **41**  
Adapter, Intake, **21**  
Adapter, Oil Fill, **17**  
Arm, Governor, **22**  
Arm, Rocker, **21**  
Arm, Tensioner, **21**  
Armature Assembly, **33**  
Armature, Wound, **33**

### B

Baffle, **23** , **24**  
Band, Nylon, **29**  
Base, Enclosure, **47** , **51** , **52**  
Bearing, Ball, **17** , **39**  
Block, Brush, **39**  
Block, Terminal, **49**  
Bracket, Alternator, **47**  
Bracket, Control, **49**  
Bracket, Engine Mounting, **47**  
Bracket, Fuel Pump, **13**  
Bracket, Genset Mounting, **54** , **55**  
Bracket, Solenoid, **14**  
Breaker, Circuit, **49**  
Bushing, **41**

### C

Camshaft, **21**  
Carburetor, **27**  
Card, Control, **49**  
Carton, Shipping, **57**  
Case, Crank, **17**  
Chain, Timing, **21**  
Chamber, Float, **27**  
Clip, **21**  
Coil, Ignition, **30**

Collar, **33**  
Collar, Choke, **27** , **29**  
Collar, Throttle, **27** , **29**  
Control – 60 Hz, **49**  
Control, Speed, **22**  
Cooling System, **36**  
Cooling, Engine, **23** , **24**  
Cover, Air Filter, **36**  
Cover, Bearing, **17**  
Cover, Choke, **24**  
Cover, Enclosure, **42** , **43** , **51** , **52**  
Cover, Rocker, **17**  
Crankshaft, Piston, **18**

### D

Door, Enclosure, **42** , **44** , **51** , **52**  
Duct, Air, **23**

### E

Edging, **42** , **51** , **52**  
Elbow, Exhaust, **53**  
Element, Thermostat, **24**  
Enclosure, **42**  
Engine – Gasoline, **9**  
Engine – LP, **10**  
Exhaust, **35**  
Exhaust – Straight, **53**  
Exhaust, Intake, **21**

### F

Fan, **23** , **24** , **39** , **41**  
Filter, Air, **36**  
Filter, Fuel, **11**  
Filter, Throttle Shaft, **27** , **29**  
Filter, Vent, **12**  
Flywheel, **30**  
Fuel System – Gasoline, **11**

## Index (Continued)

Fuel System – LP, **12**

### G

Gasket, **17 , 36 , 44**  
Gasket, Cylinder Head, **17**  
Gasket, Exhaust, **21**  
Gasket, Float Chamber, **27**  
Gasket, Main Jet Plug, **27**  
Gasket, Muffler, **21**  
Gasket, Plug, **27**  
Gasket, Rocker Cover, **17**  
Gauge, Oil, **17**  
Gear, **17**  
Generator, **39 , 41**  
Governor, **22**  
Grommet, **47**  
Guide, Valve, **17**

### H

Harness, Control, **49 , 50**  
Head, Cylinder, **17**  
Hose, **29**  
Hose, Fuel, **11 , 12**  
Hose, Vent, **12**  
Housing, Air Filter, **36**  
Housing, Starter, **33**

### I

Insulation, Enclosure, **43**  
Insulator, Carburetor, **21**  
Isolator, **47**

### J

Jet, **27**

### K

Key, Woodruff, **18**  
Kit, Accessory, **51**  
Kit, Fuel Pump, **11**  
Kit, Fuel Solenoid, **12 , 14**  
Kit, High Altitude, **54**  
Kit, Retrofit, **54**  
Kit, Rotor Service Tool, **56**  
Kit, Underfloor, **55**

### L

Labels, **7**  
Latch, Mechanical, **44**  
Lever, Choke, **27**  
Lever, Release, **21**

### M

Mixer, **29**  
Motor, Starter, **33**  
Mounting System, **47**  
Mounting, Starter, **31**

### N

Needle, Adjusting, **27**

### P

Paint and Thread Sealant, **8**  
Panel, Air Baffle, **36**  
Panel, Service, **44**  
Pin, **21**  
Pin, Float, **27**  
Pin, Piston, **18**  
Pin, Spring, **17 , 21**  
Pipe, Exhaust, **21 , 53**  
Piston, **18**  
Plug, **17**

## Index (Continued)

Plug, Cap, **47**  
Plug, Float, **27**  
Plug, Hex Pipe, **9 , 10**  
Plug, Hole, **12**  
Plug, Spark, **9 , 10 , 30**  
Plug, Spark – Cap, **30**  
Pump, Fuel, **13**

### R

Regulator, Fuel, **12**  
Retainer, Spring, **21**  
Ring, Piston, **18**  
Ring, Snap, **33**  
Rod, Choke, **22 , 29**  
Rod, Connecting, **18**  
Rod, Governor, **22**  
Rotor, Generator, **39**

### S

Seal, Brush, **36**  
Seal, O Ring, **21 , 33 , 39**  
Seal, Oil, **17**  
Sensor, Oil, **34**  
Service Consumables, **8**  
Shaft, Choke, **27 , 29**  
Shaft, Governor, **22**  
Shaft, Rocker Arm, **21**  
Shaft, Throttle, **27 , 29**  
Shell, Gas Display, **52**  
Shell, LP Display, **51**  
Shield, Heat, **35**  
Shield, Plate, **34**

Sleeve, Governor, **17**  
Solenoid, Starter, **33**  
Spring, **33**  
Spring, Choke, **27 , 29**  
Spring, Drain, **27**  
Spring, Governor, **22**  
Spring, Return, **21**  
Spring, Valve, **21**  
Starter, **33**  
Stator, Generator, **39**  
Strap, Electrical, **49**  
Support, Exhaust, **35**  
Switch, Oil, **34**  
Switch, Rocker, **49**  
Switch, Vacuum, **29**

### T

Templates, Mounting, **55**  
Tube, Flexible, **36**  
Tube, Rubber, **21**

### V

Valve, **14 , 21**  
Valve, Choke, **27 , 29**  
Valve, Exhaust, **21**  
Valve, Float, **27**  
Valve, Intake, **21**  
Valve, Throttle, **27 , 29**

### Y

Yoke Assembly, **33**

This page is Intentionally blank.



## Numerical Index

<u>Part No.</u>	<u>Page</u>	<u>Part No.</u>	<u>Page</u>	<u>Part No.</u>	<u>Page</u>	<u>Part No.</u>	<u>Page</u>
0155-4770, 21		416-1021-03, 50		870-0542, 43		A040D485, 36	
0331-0521, 50		416-1021-05, 50		870-0557, 35		A040D550, 39 , 41	
098-8718, 44		502-0054, 9 , 10		870-2054, 47		A040D552, 44	
098-8720, 7 , 51 , 52		502-0153, 9 , 10		870-2065-02, 36 , 49		A040D873, 42 , 51 , 52	
098-8722, 7 , 52		502-1200, 14		870-2065-03, 47		A040E977, 49	
098-8762, 7		502-1318, 9 , 10		871-0025, 49		A040E979, 49	
098-8764, 7 , 51		503-0731, 11 , 12		A026E103, 53		A040F044, 49	
115-0557, 17		503-1951-54, 14		A029B483, 50		A040F434, 39 , 41	
140-2771-01, 36		503-2309, 12		A029Z860, 13		A040G046, 39 , 41	
148-1343, 12		503-2734-01, 11		A030Y328, 8 , 36		A040J170, 47	
149-2661, 8 , 11		508-0251, 41		A031C118, 42 , 51 , 52		A040J172, 47	
155-1257, 53		508-1122, 47		A032X554, 49 , 50		A040K880, 7	
155-2174-01, 53		517-0090, 11		A032Y912, 49		A040N517, 35	
155-2325, 53		517-0131, 12		A034D471, 14		A040R067, 35	
167-1652, 8 , 9 , 10		525-0305, 8		A034E965, 36		A040S467, 35	
187-6016, 21		526-0054, 49		A034E967, 36		A040V025, 50	
187-6032, 17		526-0077, 55		A034R136, 13		A040Y392, 36	
187-6067, 21		526-0174, 54 , 55		A034R584, 12		A041E042, 12	
187-6098, 17 , 23 , 24		526-2100, 11 , 12		A034R762, 44		A041E044, 12	
187-6130, 27 , 29		800-0028, 49		A034S225, 49		A041F151, 11	
187-6132, 27		800-0048, 54 , 55		A034S778, 42 , 51 , 52		A041F155, 43	
187-6142, 27		800-0050, 55		A034W123, 14		A041H694, 53	
187-6143, 27 , 29		800-2056, 11 , 12		A034Z250, 9		A041L816, 53	
187-6150, 27		800-2085, 56		A034Z252, 10		A041N318, 35	
187-6151, 27		800-6501, 22		A035B905, 50		A041Y359, 52	
308-1019, 50		815-0829-05, 39 , 41		A035G349, 47 , 51 , 52		A041Y361, 51	
308-1038, 49		815-0829-06, 35 , 39 , 47		A035L407, 39		A041Y811, 54	
323-1318, 39 , 41		815-0943-02, 36 , 49		A035N182, 39		A042P080, 49 , 50	
323-1708, 50		818-0226-02, 43		A035P562, 47		A042R430, 55	
323-1712, 50		821-0010, 12		A035P682, 35		A042R432, 55	
323-1741, 50		821-2032, 35		A035R160, 47		A042T911, 55	
323-1743, 50		821-2033, 36 , 49		A035R379, 47		A042V579, 54	
323-1819-01, 50		821-2047, 35		A040A101, 39 , 41		A042W103, 55	
323-1932, 50		823-0015, 42 , 51 , 52		A040A412, 39 , 41		A042W129, 49	
332-1992, 50 , 57		823-1006-02, 49		A040B331, 47		A042W530, 13	
332-1995, 50		823-1006-03, 39		A040B393, 43		A042W532, 14	
332-2430, 50		856-0008, 49		A040B848, 39 , 41		A042W826, 47	
332-3388, 12 , 29 , 49		862-0015, 49		A040C784, 21		A043A369, 12	
332-4425, 43		870-0257, 49		A040C786, 21			
337-0049, 49		870-0281, 55		A040D382, 36			
405-4311-01, 44		870-0462, 43		A040D384, 36			

## Numerical Index (Continued)

<u>Part No.</u>	<u>Page</u>	<u>Part No.</u>	<u>Page</u>	<u>Part No.</u>	<u>Page</u>	<u>Part No.</u>	<u>Page</u>
A043F758, 55		A043N350, 17		A043T427, 21		A043V983, 27 , 29	
A043F922, 49		A043N355, 17		A043T604, 21		A043V988, 27 , 29	
A043F935, 54		A043N357, 17		A043U413, 56		A043V991, 27	
A043H186, 39		A043N362, 17		A043U423, 56		A043V993, 27	
A043H188, 39		A043N367, 18		A043U459, 39		A043V995, 27	
A043K683, 27		A043N380, 18		A043U972, 39 , 41		A043W027, 30	
A043K692, 29		A043N395, 18		A043U974, 39 , 41		A043W174, 30	
A043K694, 30		A043N397, 18		A043U983, 39 , 41		A043W188, 30	
A043K696, 22		A043N399, 18		A043V280, 21		A043W191, 30	
A043K701, 22		A043N403, 18		A043V372, 21		A043W197, 31	
A043K708, 22		A043N405, 18		A043V479, 21		A043W199, 31	
A043K710, 24		A043N407, 18		A043V481, 21		A043W536, 33	
A043K716, 24		A043N409, 18		A043V483, 21		A043W539, 33	
A043K723, 24		A043N411, 18		A043V487, 21		A043W546, 33	
A043K735, 22		A043N418, 18		A043V489, 21		A043W552, 33	
A043K739, 30		A043N423, 18		A043V496, 21		A043W556, 33	
A043K743, 34		A043N429, 18		A043V514, 22		A043W562, 33	
A043K745, 33		A043N431, 18		A043V518, 22		A043W571, 33	
A043K747, 17		A043S971, 21		A043V539, 22		A043W573, 33	
A043K757, 22		A043S974, 21		A043V543, 22		A043W575, 33	
A043M341, 17		A043S976, 21		A043V582, 23 , 24		A043W577, 33	
A043M705, 17		A043S979, 21		A043V584, 23 , 24		A043W579, 33	
A043M707, 17		A043S990, 21		A043V586, 23 , 24		A043W598, 33	
A043M710, 17		A043T013, 21		A043V588, 23 , 24		A043W602, 33	
A043M712, 17		A043T015, 21		A043V600, 23 , 24		A043W610, 33	
A043M741, 17		A043T017, 21		A043V602, 23 , 24		A043W614, 33	
A043M836, 17		A043T034, 21		A043V604, 27		A043W616, 33	
A043M838, 17		A043T065, 21		A043V612, 27		A043W620, 33	
A043M841, 17		A043T067, 21		A043V631, 27		A043W622, 33	
A043M848, 17		A043T072, 21		A043V655, 27		A043W624, 34	
A043M895, 17		A043T087, 21		A043V847, 27 , 29		A043W626, 34	
A043M898, 17		A043T247, 21		A043V850, 27		A043W803, 31	
A043N066, 17		A043T249, 21		A043V860, 27		A043W898, 39	
A043N069, 17		A043T254, 21		A043V870, 27		A043X066, 17	
A043N076, 17		A043T311, 21		A043V872, 27		A043X068, 17	
A043N117, 17		A043T358, 21		A043V876, 27		A043X070, 21	
A043N122, 17		A043T407, 21 , 22		A043V945, 27		A043X073, 21	
A043N331, 17		A043T409, 21		A043V947, 27		A043X115, 23	
A043N333, 17		A043T414, 21		A043V949, 27			
A043N337, 17		A043T422, 21		A043V953, 27			
A043N346, 17		A043T424, 21		A043V979, 27			

## Numerical Index (Continued)

<u>Part No.</u>	<u>Page</u>	<u>Part No.</u>	<u>Page</u>	<u>Part No.</u>	<u>Page</u>	<u>Part No.</u>	<u>Page</u>
A043X125, <b>29</b>		A043X164, <b>29</b>		A044A185, <b>49</b>		A046B279, <b>11 , 13</b>	
A043X128, <b>29</b>		A043X170, <b>29</b>		A044A298, <b>22</b>		A046B282, <b>12 , 14</b>	
A043X143, <b>29</b>		A043X172, <b>29</b>		A044C229, <b>17</b>		A048V866, <b>47</b>	
A043X145, <b>29</b>		A043X174, <b>29</b>		A044H318, <b>53</b>		A056U822, <b>39</b>	
A043X147, <b>29</b>		A043X176, <b>29</b>		A044M644, <b>9</b>			
A043X155, <b>29</b>		A043Z619, <b>50</b>		A044R492, <b>27</b>			
A043X158, <b>29</b>		A043Z620, <b>39 , 41</b>		A044R521, <b>27</b>			
A043X160, <b>29</b>		A043Z622, <b>39 , 41</b>		A044R613, <b>27</b>			

This page is Intentionally blank.



[power.cummins.com](http://power.cummins.com)

Copyright © 2018 Cummins Inc. All rights reserved.

Cummins, Onan, and the "C" logo are registered trademarks of Cummins Inc. and its subsidiaries.

Other company, product, or service names may be trademarks or service marks of others.

Specifications are subject to change without notice.

