



# Parts Manual

## Generator Set for Commercial Mobile

HDKCC (Spec A–E)  
HDKCD (Spec A–E)  
HDKCG (Spec A–E)



## Introduction

This parts catalog applies to the standard generator sets listed below. Parts are arranged in groups of related items and each illustrated part is defined by a reference number corresponding to the same reference number in the parts list. Parts illustrations are typical. Using the model and specification number from your generator set nameplate, select parts that apply to your set. Right and left sides are determined by facing the engine end (front ) of the set.

### Generator Set Data Table

Model Identification	Rating	Wiring Diagram AC/DC	Voltage	Hertz	Phase
8.0HDKCC6154A/B/C*	8,000 Watts	630-2854	120/240	50	1
8.0HDKCC66881B/C*	8,000 Watts	630-2854	120/240	50	1
10.0HDKCC4512A*	10,000 Watts	630-2676	120/240	60	1
10.0HDKCC4512B/C*	10,000 Watts	630-2854	120/240	60	1
10.0HDKCC42345A*	10,000 Watts	630-2676	120/240	60	1
10.0HDKCC42345B/C*	10,000 Watts	630-2854	120/240	60	1
10.0HDKCG5356A/B/C*					
12.0HDKCD2209A*	12,000 Watts	630-2676	120/240	60	1
12.0HDKCD2209B/C*	12,000 Watts	630-2854	120/240	60	1
12.0HDKCD5241B/C*	12,500 Watts	630-2854	120/240	60	1

\* – The specification number denotes customer requested options or deviations from a standard (1A, 1B, etc.) model. The specification letter advances (A, to B, to C, etc.) with major manufacturing changes.

**THIS PAGE IS INTENDED TO BE BLANK**

## Index

### A

Adapter, Generator, **53**  
Adapter, Oil Filter, **25 , 26**  
Adapter, Oil Filter (Nut), **25**  
Adapter, Tube, **25**  
Alternator, **44**  
Apparatus, Idling, **19**  
Arm, Rocker, **14**  
Arm, Tensioner, **44**  
Assy Bearing, Main Case, **10**  
Assy Head, Cylinder, **9**  
Assy lever, Fork, **16 , 17**  
Assy, Drip Pan, **49**  
Assy, Bearing Case Wheel, **10**  
Assy, Connector Rod, **11**  
Assy, Coupling, **44**  
Assy, Door, **50**  
Assy, Overflow Pipe, **28 , 29**  
Assy, Solenoid, **18**  
Assy,Camshaft, Fuel, **33**

### B

Backplate, Fan, **37**  
Baffle, Air, **37**  
Ball, **11 , 20 , 33**  
Base, Oil, **27**  
Base, Remote Filter, **25**  
Bearing, **40**  
Bearing, Ball, **12 , 33**  
Belt, Drive, **44 , 45**  
Block, AC Terminal, **56**  
Block, Battery Harness Terminal, **56**  
Block, Cylinder, **8**  
Block, Generator Brush, **53**  
Body, Water Pump, **40**  
Bolt, **10 , 12**  
Bolt, Bearing Case, **10**  
Bolt, Connector Rod, **11**  
Boot, Circuit Breaker, **51**  
Bracket, Alternator, **44**

Bracket, Control, **54**  
Bracket, Engine, **24**  
Bracket, Engine (Back Assy), **49**  
Bracket, Engine (Front Assy), **49**  
Bracket, Fill Tube, **39**  
Bracket, Fuel Filter, **34**  
Bracket, Rocker Arm, **14**  
Bracket, Tensioner, **44**  
Breaker, Circuit, **51**  
Brush, Generator, **53**  
Bush, Crankshaft, **11**  
Bush, idle Gear, **12**  
Bush, Piston Pin, **11**  
Bushing, Tensioner, **44**

### C

Camshaft, **12**  
Camshaft, Fuel, **33**  
Camshaft, Fuel , **33**  
Cap, Cylinder Head Sealing, **9**  
Cap, Fill, **39**  
Cap, Oil Fill, **24**  
Cap, Push-On, **39**  
Cap, Seal, **20**  
Cap, Sealing, **8**  
Cap, Valve, **14**  
Case, Governor Ball, **33**  
Case, Main Bearing , **10**  
Circle Clip, **33**  
Circle Clip, External, **33**  
Circle Clip, Governor Sleeve, **33**  
Circle, Clip, **12**  
Circular, Clip, Internal, **11**  
Clamp, Cord, **28 , 29**  
Clamp, Fuel System Hose, **34**  
Clamp, Hose, **13 , 34 , 36 , 39 , 41 , 42**  
Clamp, Pipe, **28 , 29**  
Cleaner, Air, **36**  
Clip, Pipe, **28 , 29 , 30**  
Collar, **12 , 33**

## Index

Collar, Camshaft, **11**  
Collar, Valve Seat, **20**  
Collet, Valve Spring, **14**  
Comp Guide, Solenoid, **18**  
Comp. Crankcase, **8**  
Comp, Crankshaft, **11**  
Comp, Flange Water, **41 , 42**  
Comp, Gear Idle, **12**  
Comp, Valve Breather, **13**  
Components, Injection Nozzle, **32**  
Components, Injection Pump, **30 , 31**  
Connector, Fuel Hose, **34**  
Connector, Male, **25**  
Control, **54**  
Control, Idle, **19**  
Control, Speed, **17**  
Cord, Glow Plug, **28 , 29**  
Cover, **20**  
Cover, Bearing Case, **10**  
Cover, Breather, **13**  
Cover, Brush Block, **50**  
Cover, Control, **54**  
Cover, Cylinder Head, **13**  
Cover, Fuel Camshaft, **33**  
Cover, Fuel Pump, **49**  
Cover, Housing AC, **51**  
Cover, Injector Pump, **30**  
Cover, Plate Governor, **16**  
Cover, Thermostat, **41 , 42**  
Crankpin, Metal, **11**  
Crankshaft, **11**  
Crankshaft, Nut, **11**  
Cylinder Head, **9**

## D

Dipstick, Oil , **23**  
Disc, Generator Drive, **53**  
Duct, Air, **37**

## E

Edging, Stator Housing, **53**  
Elbow, 90, **34**  
Elbow, Tube, **25**  
End, Cap Skid, **49**  
Endbell Generator, **53**  
Engine, Replacement, **8**  
Exhaust System, **47**

## F

Fan, Generator, **53**  
Fan, Sucker, **37**  
Fill, Remote Oil, **25 , 26**  
Filter, Fuel, **34**  
Filter, Oil, **25 , 26**  
Fitting, Bulkhead, **34**  
Flange, w/ Pump Shaft, **40**  
Flange, Water, **41 , 42**  
Flange, Water Return, **20**  
Flywheel, **21**  
Frame, Door, **50**

## G

Gasket, **8 , 27 , 28 , 29 , 30 , 31 , 32 , 33**  
Gasket, Bearing Case, **10**  
Gasket, Case Cover, **10**  
Gasket, Cylinder Head, **9**  
Gasket, Cylinder Head Cover, **13**  
Gasket, Exhaust Manifold, **46 , 47**  
Gasket, Gear Case, **20**  
Gasket, Hourmeter Unit, **20**  
Gasket, Oil Fill, **24**  
Gasket, Oil Filter, **25**  
Gasket, Oil Pan, **27**  
Gasket, Oil Pump, **22**  
Gasket, Plate, **15 , 19**

## Index

Gasket, Pump Cover, **30 , 31**  
Gasket, Return Flange, **20**  
Gasket, Thermostat, **41 , 42**  
Gasket, Water Flange, **41 , 42**  
Gasket, Water Pump, **40**  
Gauge, Oil, **23**  
Gauge, Oil Pressure (Remote Panel), **60**  
Gauge, Water Temperature (Remote Panel), **60**  
Gear, Cam, **12**  
Gear, Crankshaft, **11**  
Gear, Idle, **12**  
Gear, Injection Pump, **33**  
Gear, Oil Pump Drive, **22**  
Gearcase, **20**  
Generator, **53**  
Governor, **16 , 18**  
Governor, Actuator, **16**  
Grommet, **49**  
Grommet, Engine Harness, **55**  
Guard, Fan, **53**  
Guide, Exhaust Valve, **9**  
Guide, Inlet Valve, **9**  
Guide, Oil Gauge, **23**

## H

Hardware, Meter Mounting, **59 , 60**  
Harness, AC, **56**  
Harness, Adapter, **61**  
Harness, Battery , **56**  
Harness, Engine, **55**  
Harness, Remote, **61**  
Harness, Remote Panel, **61**  
Harness, Remote Panel (Gauges), **60**  
Harness, Remote Panel (Switch/Hourmeter), **58**  
Harness, Remote Panel (Switch/Voltmeter), **59**  
Harness, Remote Panel (W/Switch), **57**  
Harnesses, Remote, **61**  
Head, Oil Filter, **26**  
Holder, Fork Lever, **15 , 16 , 17**  
Holder, Nozzle, **28 , 32**  
Hook, Engine, **9**

Hose, Air Bleed, **39**  
Hose, Coolant, **39**  
Hose, Fill, **39**  
Hose, Fuel, **34**  
Hose, Intake, **36**  
Hose, Oil, **26**  
Hose, Overflow, **39**  
Hose, Remote Oil Fill, **25**  
Hourmeter (Remote Gauge Panel), **60**  
Hourmeter (Remote Switch Panel), **58**  
Housing, **50**  
Housing End Cap, **51**  
Housing, Flywheel, **21**  
Hub, Bearing Pulley, **44**

## I

Impeller, Water Pump, **40**  
Insulation, Baffle, **37**  
Insulation, Duct, **37**  
Insulation, Outlet, **37 , 49**  
Insulation, Outlet (Duct), **37**  
Isolator, Vibration, **49**

## J

Joint, Eye, **30 , 31**  
Joint, Pipe, **20**

## K

Key, Feather, **11 , 12 , 22 , 33**  
Kit Holder, Nozzle, **29**  
Kit, Remote Control Panel (W/Switch), **57**  
Kit, Remote Panel (Gauges), **60**  
Kit, Remote Panel (Switch/Hourmeter), **58**  
Kit, Remote Panel (Switch/Voltmeter), **59**

## L

Label, Package (50Hz CE), **62**  
Label, Package (60Hz CE), **62**  
Labels, **62**

## Index

Lever, Fork, **15** , **16** , **17**

Line, Fuel, **34**

### M

Manifold Inlet, **35**

Manifold, Exhaust, **35** , **46**

Manifold, Exhaust , **46**

Metal, Crankshaft, **10** , **11**

Metal, Side, **11**

Meter, Hour Housing, **51**

Meter, Voltage (Remote Panel), **59**

Mounting, Fan, **37**

Mounting, Radiator, **49**

Muffler, **47**

### N

Neck, Coolant Fill, **39**

Nipple, Pipe, **25**

### O

O'Ring, **11** , **13** , **20** , **27**

O'Ring, Radiator Plug, **39**

Orifice, **30**

### P

Pan, Oil, **27**

Panel Assy, Housing Top, **50**

Panel, Enclosure, **50**

Panel, Enclosure (Top), **50**

Panel, End Cap, **50**

Panel, Printed, **59**

Panel, Remote (W/Switch), **57**

Panel, Remote Gauge, **60**

Panel, Remote Switch/Hourmeter, **58**

Panel, Remote Switch/Voltmeter, **59**

Panel, w /Decal, **60**

PCB (Control), **54**

Piece, Distance, **32**

Piece, Nozzle, **28** , **29** , **32**

Pin, Dowel, **21**

Pin, Pipe, **8**

Pin, Piston, **11**

Pin, Spring, **14**

Pin, Straight, **8** , **20**

Pipe, Flex Exhaust, **47**

Pipe, Fuel, **30** , **31**

Pipe, Injection, **28** , **29**

Pipe, Water Return, **13** , **35** , **41** , **42**

Piston, **11**

Plate, Bulkhead, **37**

Plate, Lifting, **26**

Plate, Speed Control, **15**

Plug, **8** , **8** , **9** , **20**

Plug, Expansion, **8**

Plug, Glow, **29**

Plug, Hole, **49**

Plug, Oil Filler, **13**

Plug, Oil Gauge, **23**

Plug, Pipe, **34**

Pug, Glow, **28**

Pulley, Fan, **40**

Pulley, Fan Drive, **43**

Pulley, Tensioner, **44**

Pulley, Water Pump, **44**

Pump, Fuel, **34**

Pump, Injection, **28** , **29**

Pump, Oil, **22**

Pump, Water, **40**

Pump, Water , **40**

Push, Rod, **32**

### R

Radiator, **39**

Relay, **55**

Resonator, Intake, **35** , **36**

Retainer, Valve Spacer, **14**

Rod, Push, **12**



## Index

Rotor, Generator, **53**

### S

Seal, Heat, **28** , **29** , **32**

Seal, Oil, **10** , **11**

Seal, Radiator, **39** , **49**

Seal, Shaft, **40**

Seal, Valve Stem, **14**

Seat, Valve, **20**

Set, Piston Ring, **11**

Shaft, Idle Gear, **12**

Shaft, Lever, **15** , **16** , **17**

Shaft, Rocker Arm, **14**

Shield, Breather, **13**

Shim, Injector Pump, **30** , **31**

Sleeve, Governor, **33**

Slinger, Oil, **11**

Spacer, Fan, **37**

Spacer, Generator Fan, **53**

Spring, **20**

Spring, Generator Brush, **53**

Spring, Governor, **16**

Spring, Return, **15**

Spring, Rocker Arm, **14**

Spring, Tensioner, **44**

Spring, Valve, **14**

Starter, **21**

Stator, Generator, **53**

Stopper, Camshaft, **12**

Stopper, Fuel Camshaft, **33**

Strap, Electrical, **48**

Switch, Oil Pressure, **8**

Switch, Remote Control Panel Rocker, **57**

Switch, Rocker, **51**

Switch, Start/Stop (Remote Gauge Panel), **60**

Switch, Start/Stop (Remote Hourmeter Panel), **58**

Switch, Start/Stop (Remote Voltmeter Panel), **59**

System, Air Intake, **36**

System, Cooling, **38** , **39**

System, Fuel, **34**

System, Ground, **48**

System, Mounting, **49**

System, Pulley , **43** , **44**

### T

Tank, Recovery, **39**

Tappet, **12**

Thermostat, **41** , **42**

Thermostat Assy, **41** , **42**

Transformer, Current, **36**

Tube, Breather, **13**

Tube, Oil Fill, **24**

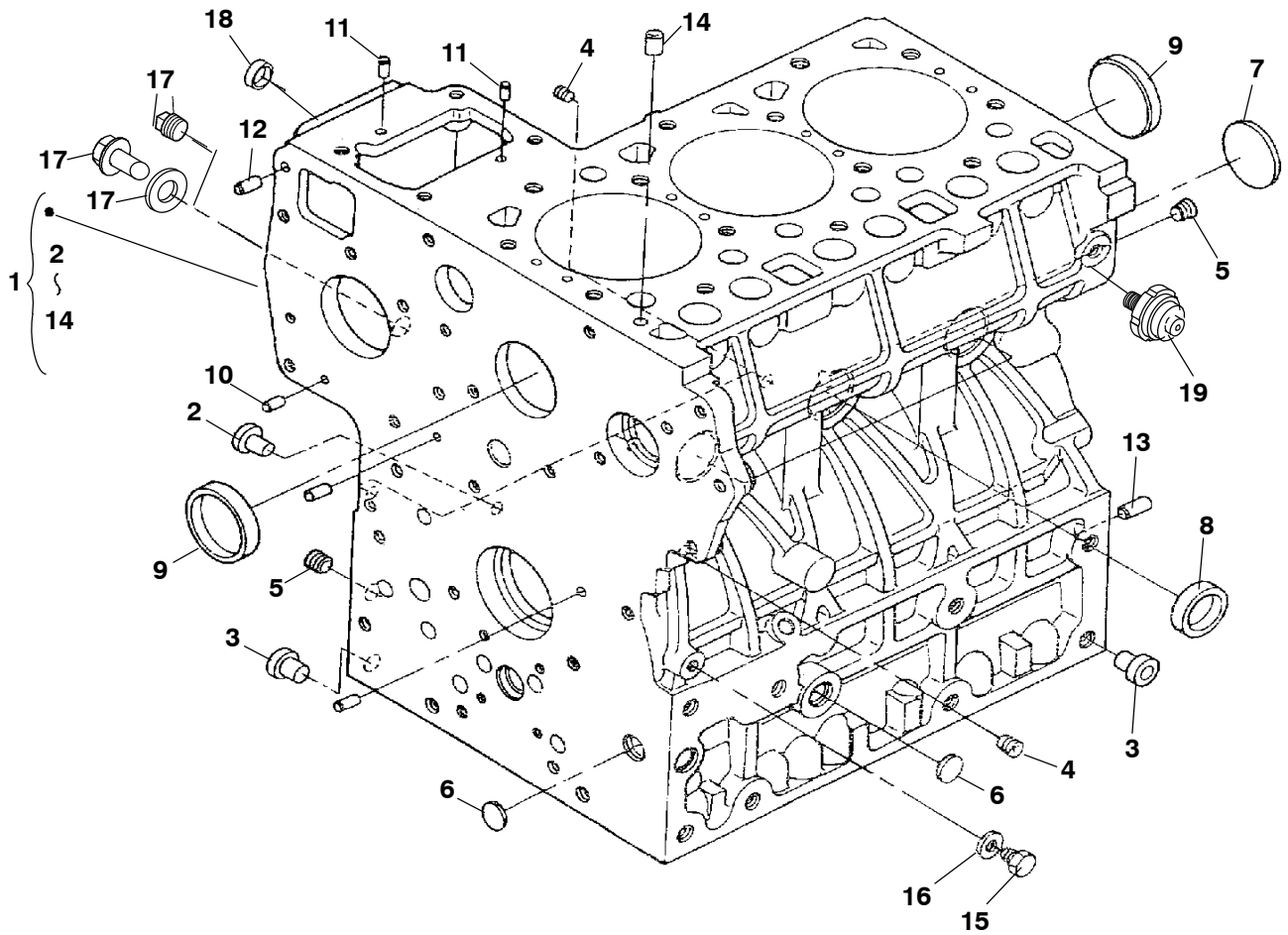
### V

Valve, Exhaust, **14**

Valve, Inlet, **14**

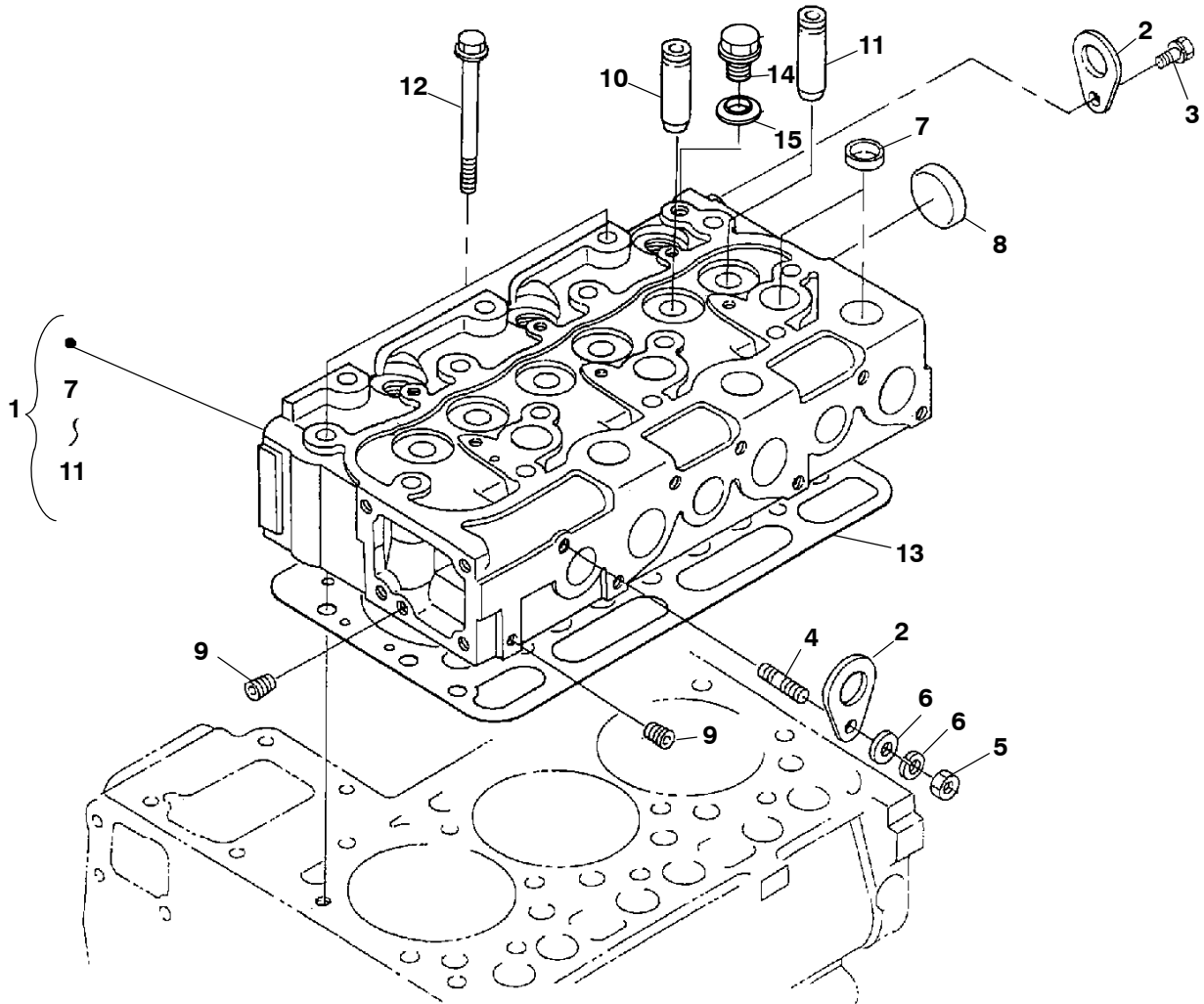
Vane, Air, **49**

## Cylinder Block (Spec A-E)



REF NO.	PART NO.	QTY USED	PART DESCRIPTION	REF NO.	PART NO.	QTY USED	PART DESCRIPTION
	100-4113	1	Engine, Replacement Comp. Crankcase	12	185-5843	2	Pin, Straight
1				13	185-5844	1	Pin, Straight
2	185-6039	1	Plug	14	185-2094	1	Pin, Pipe
3	185-5837	2	Plug	15	517-0373	1	Plug
4	185-2233	5	Plug	16	185-2338	1	Gasket
5	185-2234	2	Plug	17			Plug
6	185-6121	3	Plug, Expansion		184-0023	1	Gasket (Spec A-B)
7	185-6040	1	Plug, Expansion		509-0417	1	Gasket (Spec A-B)
8	185-5840	5	Cap, Sealing		505-2519	1	Plug (Begin Spec C)
9	185-5841	2	Cap, Sealing	18	185-5483	1	Cap, Sealing
10	185-5842	2	Pin, Straight	19	185-5492	1	Switch, Oil Pressure
11	185-2350	3	Pin, Straight				

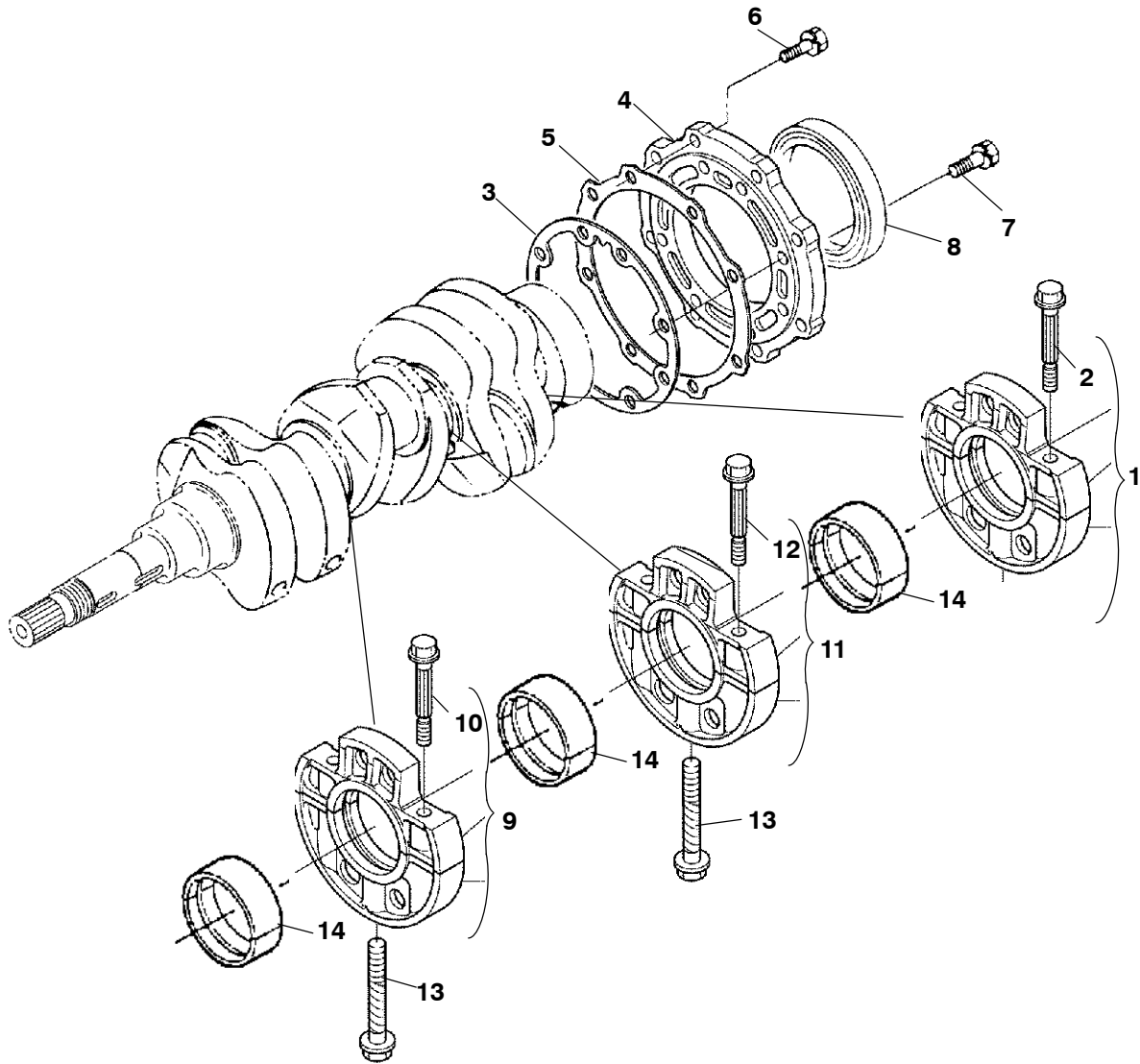
## Cylinder Head



REF NO.	PART NO.	QTY USED	PART DESCRIPTION	REF NO.	PART NO.	QTY USED	PART DESCRIPTION
1			Assy Head, Cylinder (Includes Parts Marked *)	110-3952		1	Spec A-B
	110-3954	1	Spec A-B		110-4117	1	Begin Spec C
	110-4114	1	Begin Spec C		110-4116	1	1.15mm
2	185-2414	2	Hook, Engine		110-4118	1	1.20mm
3	185-2563	1	Bolt		110-4119	1	1.25mm
4	185-6048	1	Stud		110-4120	1	1.30mm
5	185-2367	1	Nut			1	1.35mm
6	185-6957	2	Washer, Spring	14	185-5867	1	Plug
7	185-5861	9	*Cap, Sealing	15	185-5868	1	Washer, w/ Rubber
8	185-2412	1	*Cap, Sealing				
9	185-2188	2	*Plug				
10	185-5862	3	*Guide, Inlet Valve				
11	110-3987	3	*Guide, Exhaust Valve				
12	185-5865	14	Bolt, Cylinder Head				
13			Gasket, Cylinder Head				

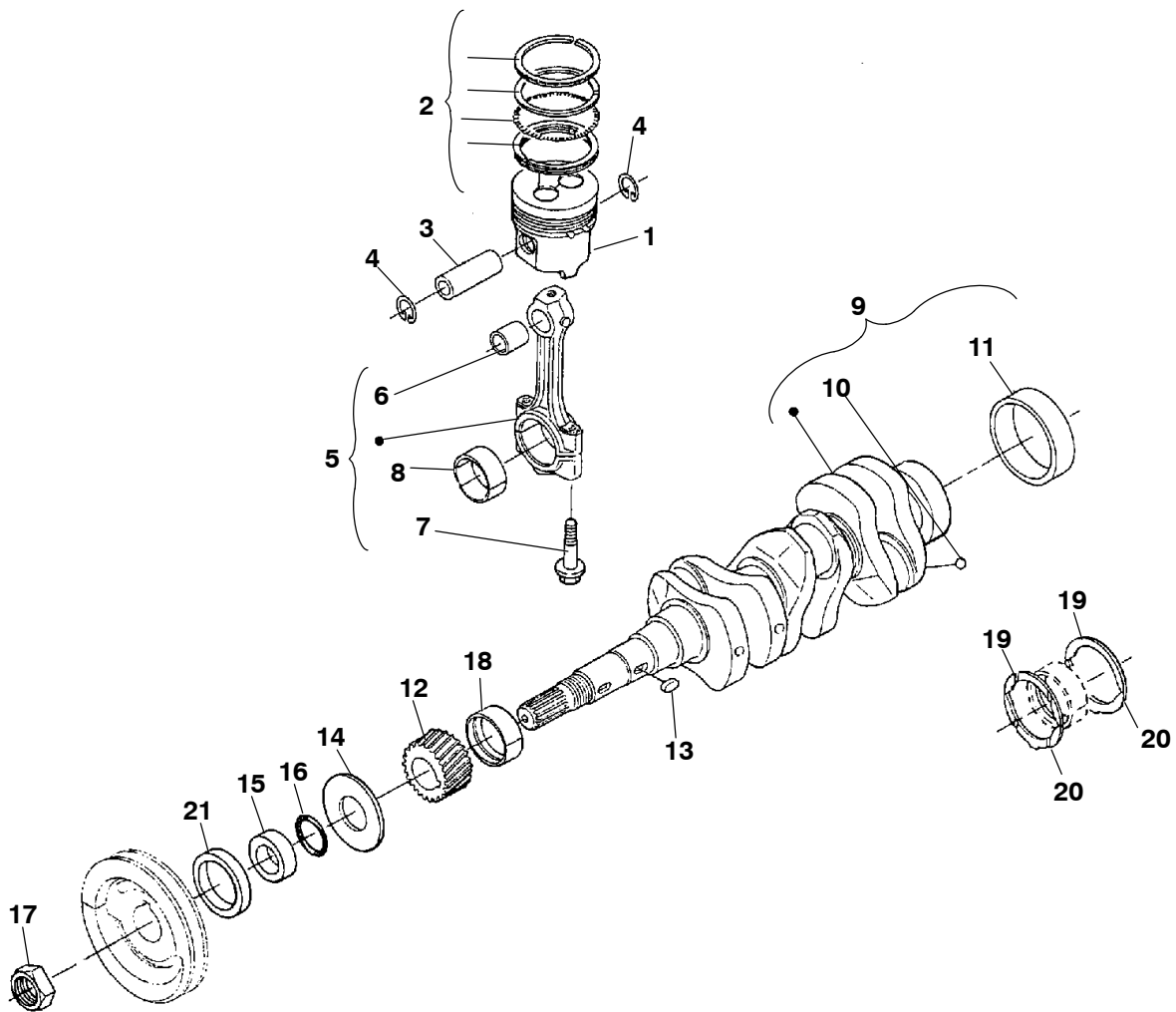
\* - Parts Included in Cylinder Head Assy.

## Main Bearing Case



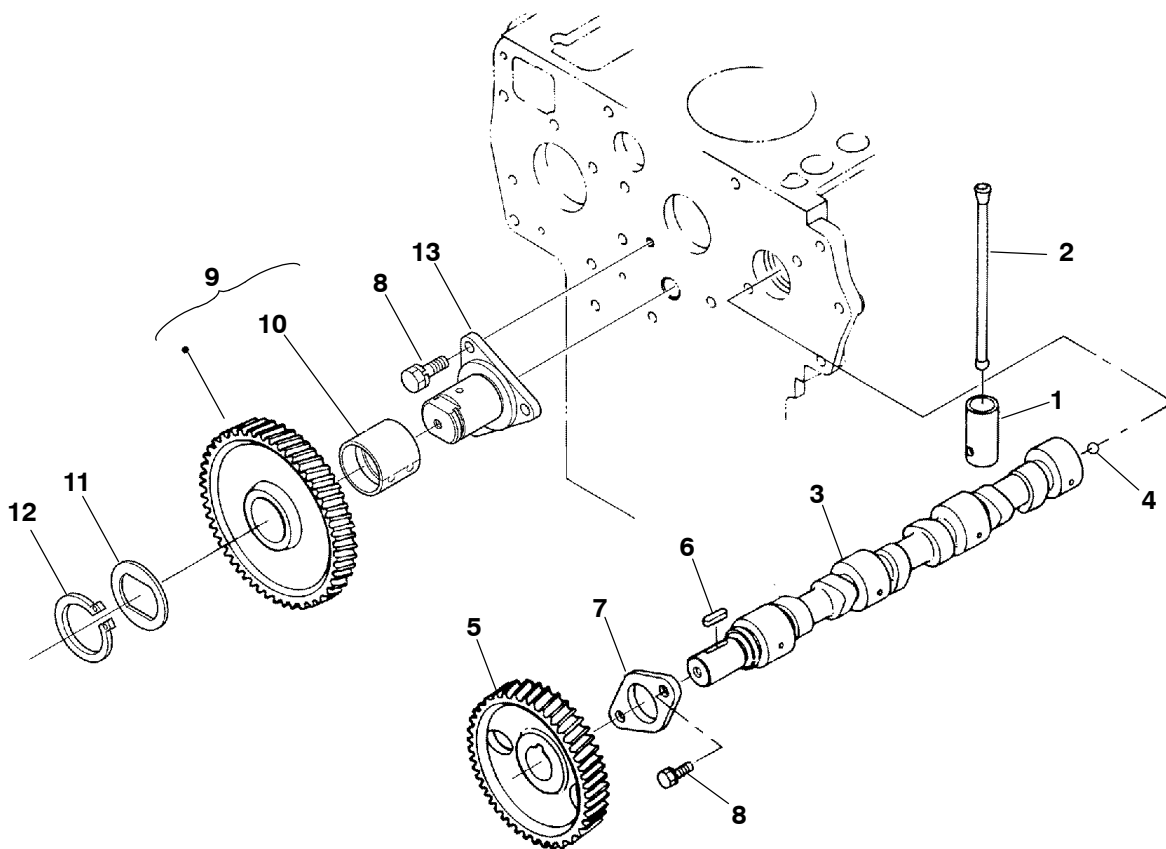
REF NO.	PART NO.	QTY USED	PART DESCRIPTION	REF NO.	PART NO.	QTY USED	PART DESCRIPTION
1	104-2029	1	Assy, Bearing Case Wheel	9	104-2031	1	Assy Bearing, Main Case
2	800-6329	2	Bolt, Bearing Case	10	800-6329	2	Bolt, Bearing Case
3	185-6766	1	Gasket, Bearing Case	11	104-2032	1	Assy Bearing, Main Case
4	101-0836	1	Spec A-B	12	800-6329	2	Bolt, Bearing Case
	232-4229	1	Begin Spec C	13	185-5899	2	Bolt, Bearing Case
5	185-5893	1	Gasket, Case Cover	14			Metal, Crankshaft
6	185-2403	8	Bolt		104-2035	3	Standard
7	185-2404	8	Bolt		104-2039	3	0.20 Oversized
8	509-0416	1	Seal, Oil		104-2040	3	0.40 Oversized

## Crankshaft



REF NO.	PART NO.	QTY USED	PART DESCRIPTION	REF NO.	PART NO.	QTY USED	PART DESCRIPTION
1			Piston	10	185-5924	3	Ball
			Spec A-B	11	185-5925	1	Bush, Crankshaft
	112-0298	3	Standard	12	507-0006	1	Gear, Crankshaft
	112-0299	3	0.25 Oversize)	13	515-0320	1	Key, Feather
			Begin Spec C	14	185-6973	1	Slinger, Oil
	112-0340	3	Standard	15	185-5928	1	Collar, Camshaft
	112-0341	3	0.25 Oversize)	16	185-5929	1	O'Ring
2			Ring Set, Piston	17	185-5930	1	Crankshaft, Nut
	541-1168	3	Standard	18			Metal, Crankshaft
	541-1169	3	0.25 Oversized		104-2033	1	Standard
3			Pin, Piston		104-2037	1	0.20 Oversized
	185-5915	3	Spec A-B		104-2038	1	0.40 Oversized
	112-0339	3	Begin Spec C	19			Metal, Side
4	518-0732	6	Circular, Clip, Internal		104-2034	2	Standard
5	185-5917	3	Assy, Connector Rod		104-2041	2	0.20 Oversized
6	185-5918	3	Bush, Piston Pin		104-2042	2	0.40 Oversized
7	185-6771	6	Bolt, Connector Rod	20			Metal, Side
8			Crankpin, Metal		104-2036	2	Standard
	185-6076	3	Standard		104-2043	2	0.20 Oversized
	185-5921	3	0.20 Oversized		104-2044	2	0.40 Oversized
	185-5922	3	0.40 Oversized	21	185-5931	1	Seal, Oil
9			Comp, Crankshaft				
	104-2030	1	Spec A-B				
	104-2172	1	Begin Spec C				

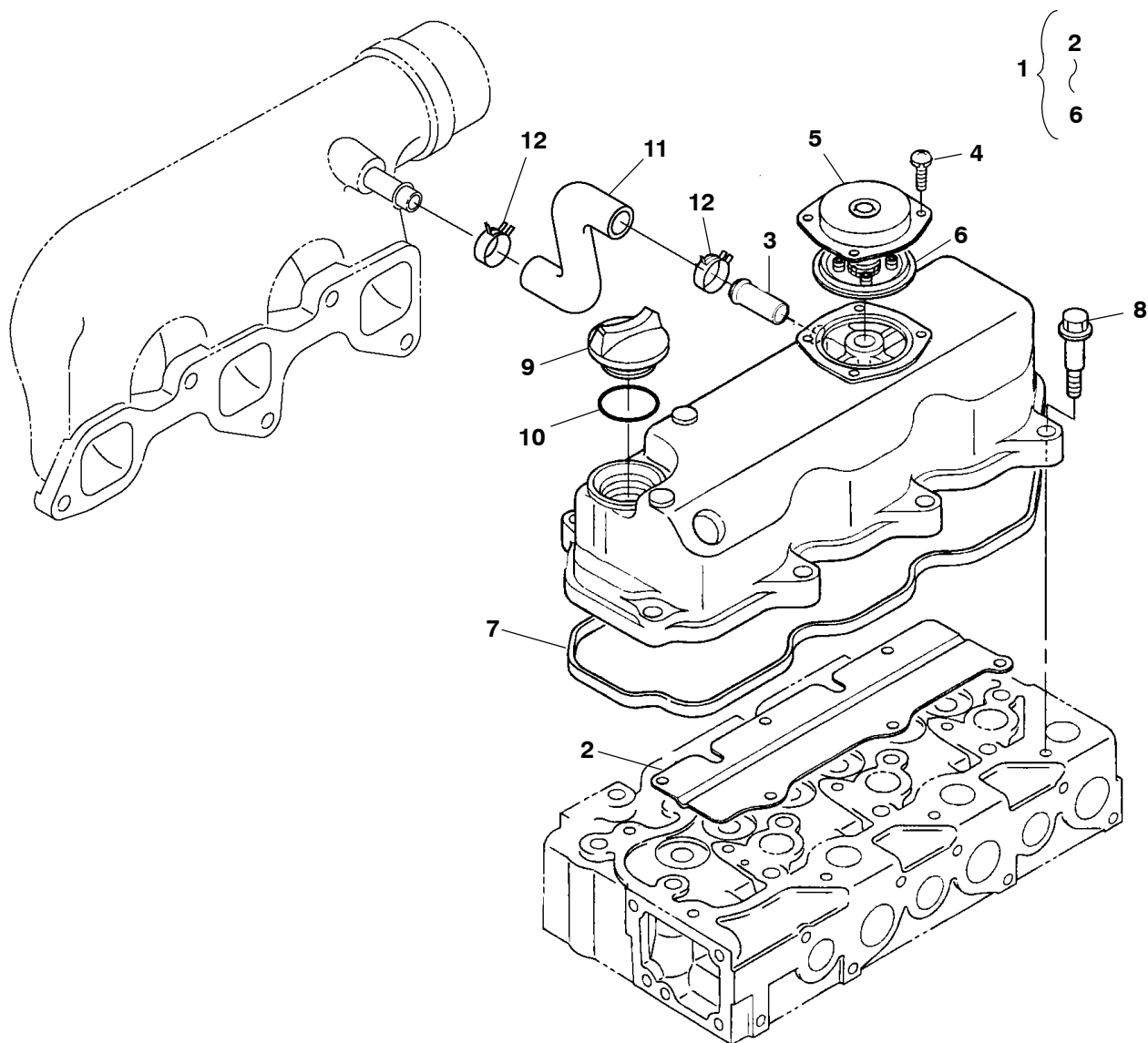
## Camshaft/Idle Gear



REF NO.	PART NO.	QTY USED	PART DESCRIPTION	REF NO.	PART NO.	QTY USED	PART DESCRIPTION
1	185-5900	6	Tappet	9	507-0008	1	Comp, Gear Idle
2	185-5901	6	Rod, Push	10	508-1216	1	*Bush, idle Gear
3			Camshaft	11	406-1071	1	Collar
	105-0742	1	Spec A-B	12	185-6072	1	Circle, Clip
	105-0775	1	Begin Spec C	13	120-1354	1	Shaft, Idle Gear
4	185-5924	1	Bearing, Ball				
5	507-0007	1	Gear, Cam				
6	185-5905	1	Key, Feather				
7	185-5906	1	Stopper, Camshaft				
8	185-2400	5	Bolt				

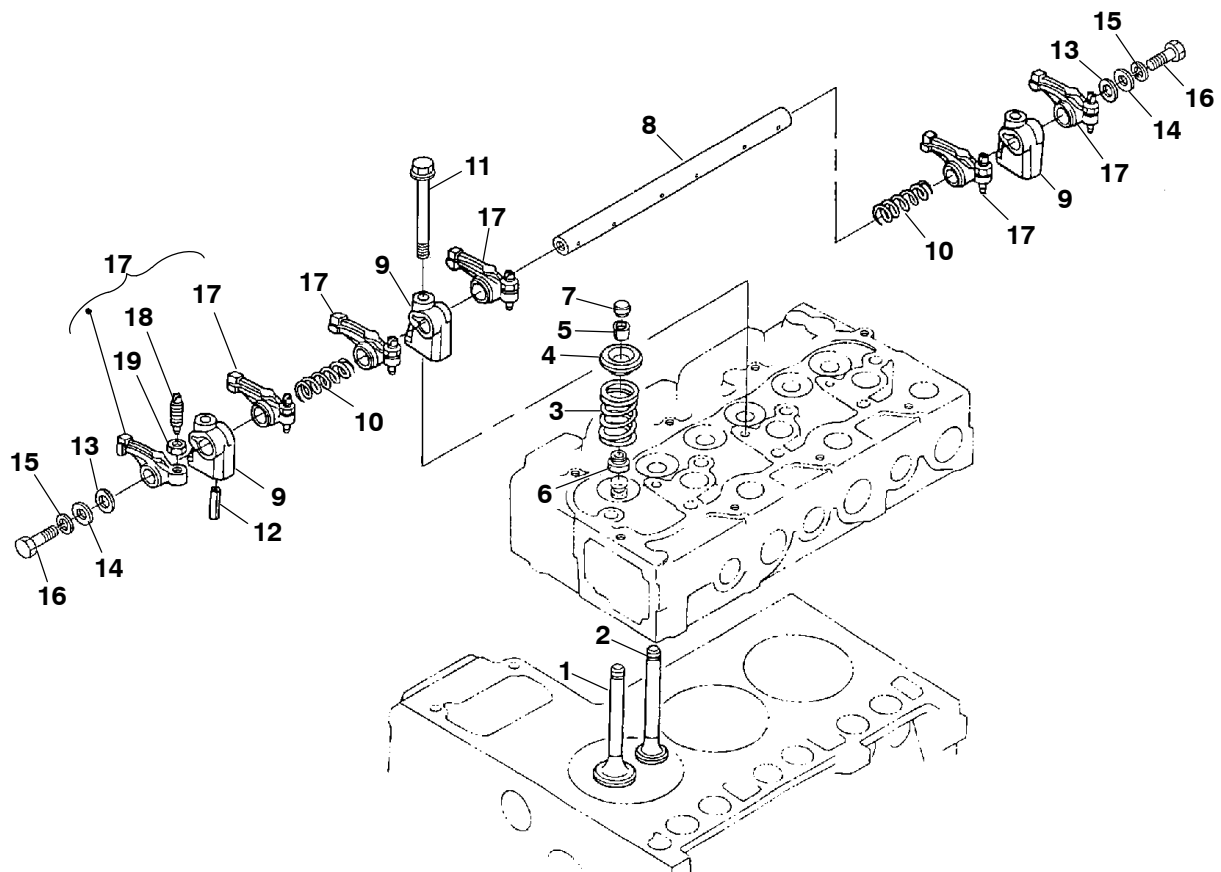
\* - Parts Included in Camshaft Assy.

## Cylinder Head Cover



REF NO.	PART NO.	QTY USED	PART DESCRIPTION	REF NO.	PART NO.	QTY USED	PART DESCRIPTION
1			Cover, Cylinder Head (Includes Ventilator Valve and Screws)	5			Cover, Breather
	110-3953	1	Spec A-B		123-2263	1	Spec A-B
	134-5393	1	Begin Spec C		181-9238	1	Begin Spec C
2	123-2261	1	Shield, Breather	6	123-2264	1	Comp, Valve Breather
3	185-6103	1	Pipe, Water Return	7	110-3949	1	Gasket, Cylinder Head Cover
4	185-2384	4	Screw	8	800-6330	8	Bolt
				9	185-2093	1	Plug, Oil Filler
				10	509-0414	1	O'Ring
				11	123-2266	1	Tube, Breather
				12	503-2551	1	Clamp, Hose

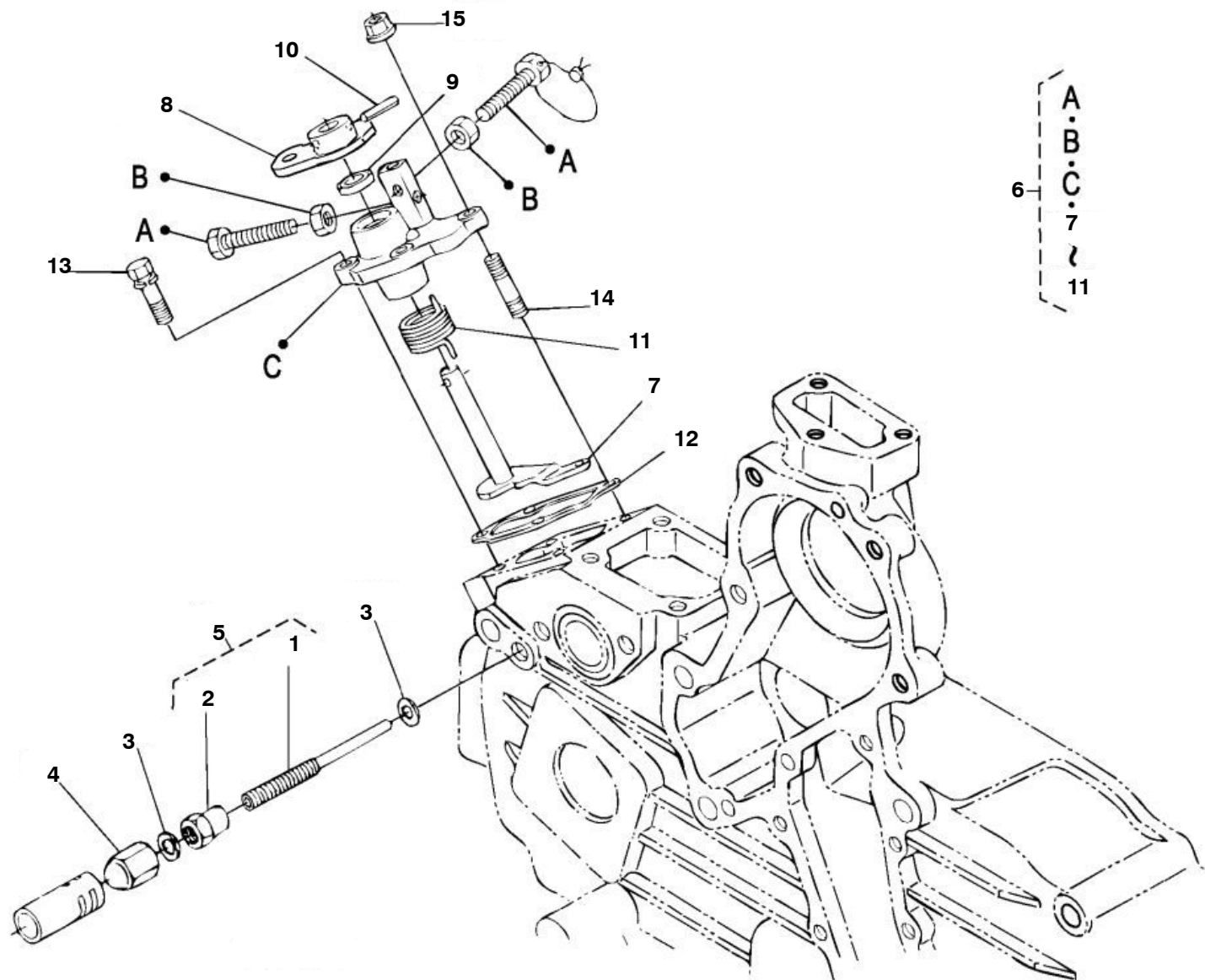
## Rocker Arm



REF NO.	PART NO.	QTY USED	PART DESCRIPTION	REF NO.	PART NO.	QTY USED	PART DESCRIPTION
1	185-6107	3	Valve, Inlet Spec A-B	10	185-6026	2	Spring, Rocker Arm
	110-4122	3	Begin Spec C	11	800-6335	3	Bolt, Flange
2	185-6108	3	Valve, Exhaust Spec A-B	12	185-6749	1	Pin, Spring Spec A-B
	110-4123	3	Begin Spec C		185-6789	1	Begin Spec C
3	185-6016	6	Spring, Valve	13	185-6025	5	Washer, Rocker Arm Shaft
4	185-6017	6	Retainer, Valve Spacer	14	185-7221	2	Washer, Plain
5	110-3948	6	Collet, Valve Spring	15	185-6957	2	Washer, Spring
6	185-6018	6	Seal, Valve Stem	16	800-6327	2	Bolt
7	185-6019	6	Cap, Valve	17	185-6028	6	Arm, Rocker
8	115-0509	1	Shaft, Rocker Arm	18	185-6029	6	Screw, Adjusting
9	185-6022	3	Bracket, Rocker Arm	19	185-6030	6	Nut

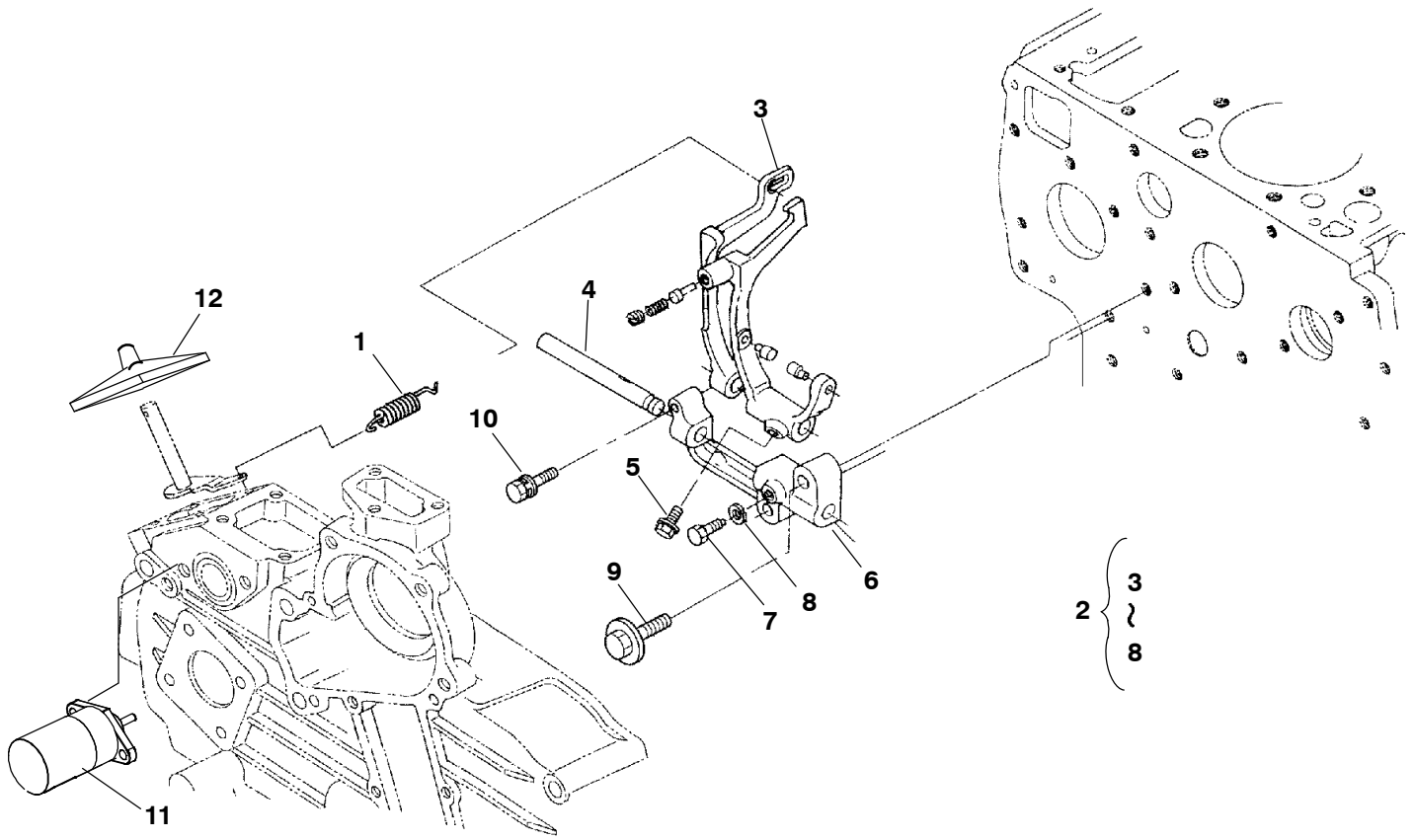


## Speed Control Plate



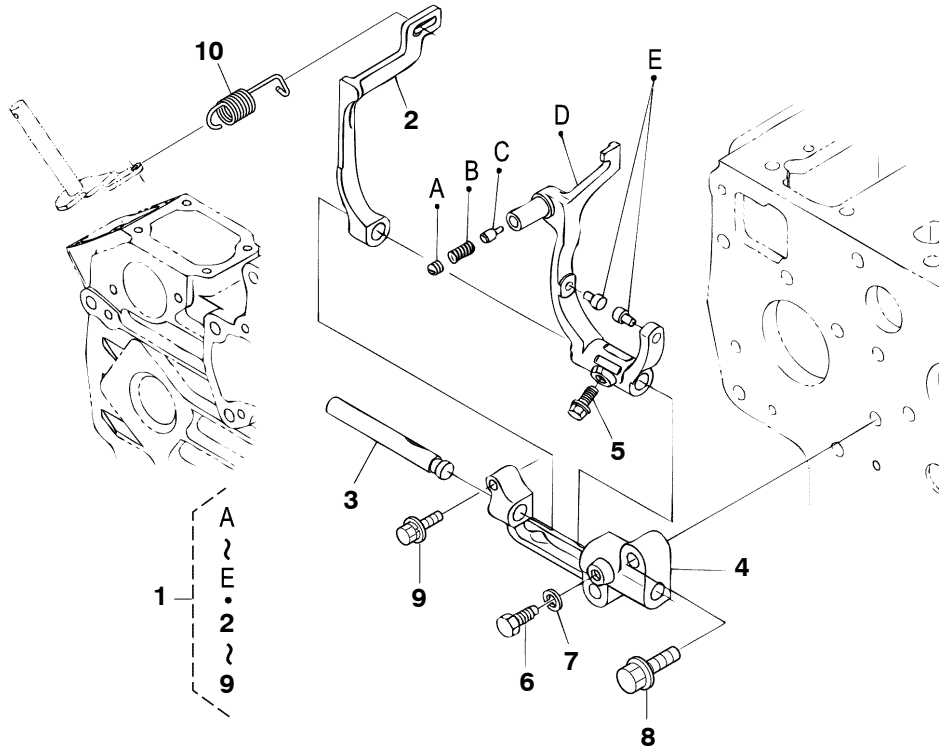
REF NO.	PART NO.	QTY USED	PART DESCRIPTION	REF NO.	PART NO.	QTY USED	PART DESCRIPTION
1	800-6307	1	Bolt, Adjusting	9	509-0555	1	Seal, Oil
2	185-6169	1	Nut	10	185-2351	1	Pin, Spring
3	185-2284	1	Lever, Fork	11	506-0027	1	Spring, Return
4	185-5529	2	Nut	12	101-0871	1	Gasket, Plate
5	150-2840	1	Assy Bolt, Adjustment	13	185-2390	2	Bolt
6	152-0379	1	Assy. Plate, Control	14	181-9034	2	Stud
7	510-2841	1	Comp. Level, Governor	15	185-7166	2	Nut, Flange
8	152-0380	1	Level, Speed Control				

## Governor (Spec A-B)



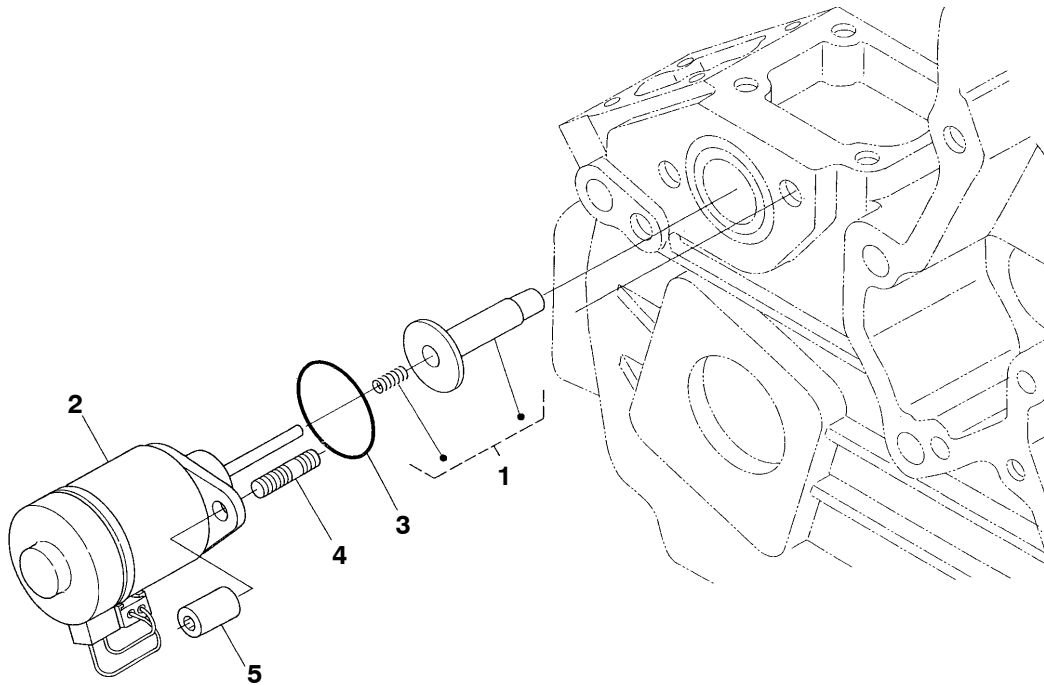
REF NO.	PART NO.	QTY USED	PART DESCRIPTION	REF NO.	PART NO.	QTY USED	PART DESCRIPTION
1	506-0028	1	Spring, Governor	7	800-6306	1	Bolt
2	150-2847	1	Assy lever, Fork	8	185-6759	1	Washer, Spring
3	150-2842	1	Lever, Fork	9	800-6334	2	Bolt, Flange
4	150-2805	1	Shaft, Lever	10	185-5147	1	Bolt
5	800-6305	1	Bolt, Flange	11	333-0707	1	Governor, Actuator
6	150-2836	1	Holder, Fork Lever	12	150-2851	1	Cover, Plate Governor

## Speed Control (Begin Spec C)



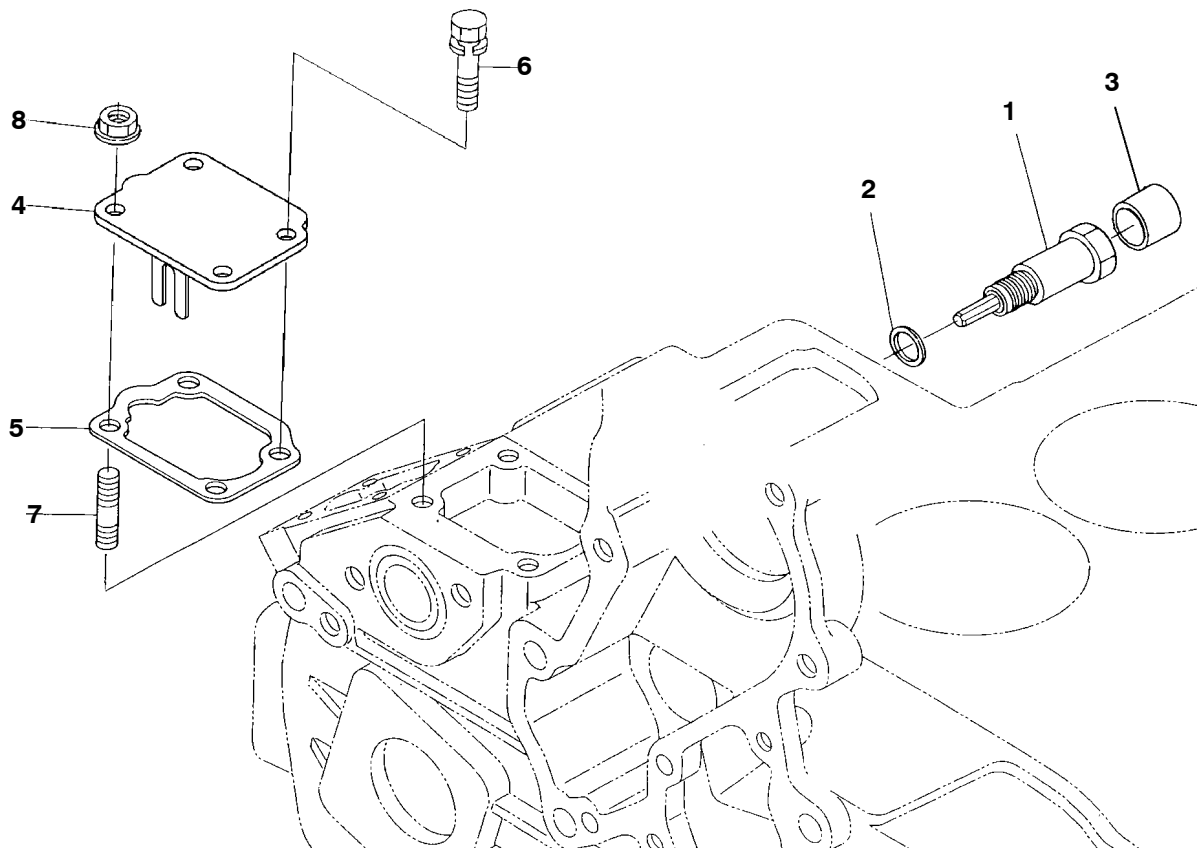
REF NO.	PART NO.	QTY USED	PART DESCRIPTION	REF NO.	PART NO.	QTY USED	PART DESCRIPTION
1	506-0028	1	Assy lever, Fork	6	800-6306	1	Bolt
2	150-2843	1	Lever, Fork	7	185-6759	1	Washer, Spring
3	150-2805	1	Shaft, Lever	8	800-6334	2	Bolt, Flange
4	150-2836	1	Holder, Fork Lever	9	185-5147	1	Bolt
5	800-6305	1	Bolt, Flange	10	148-1390	1	Spring, Governor

## Governor



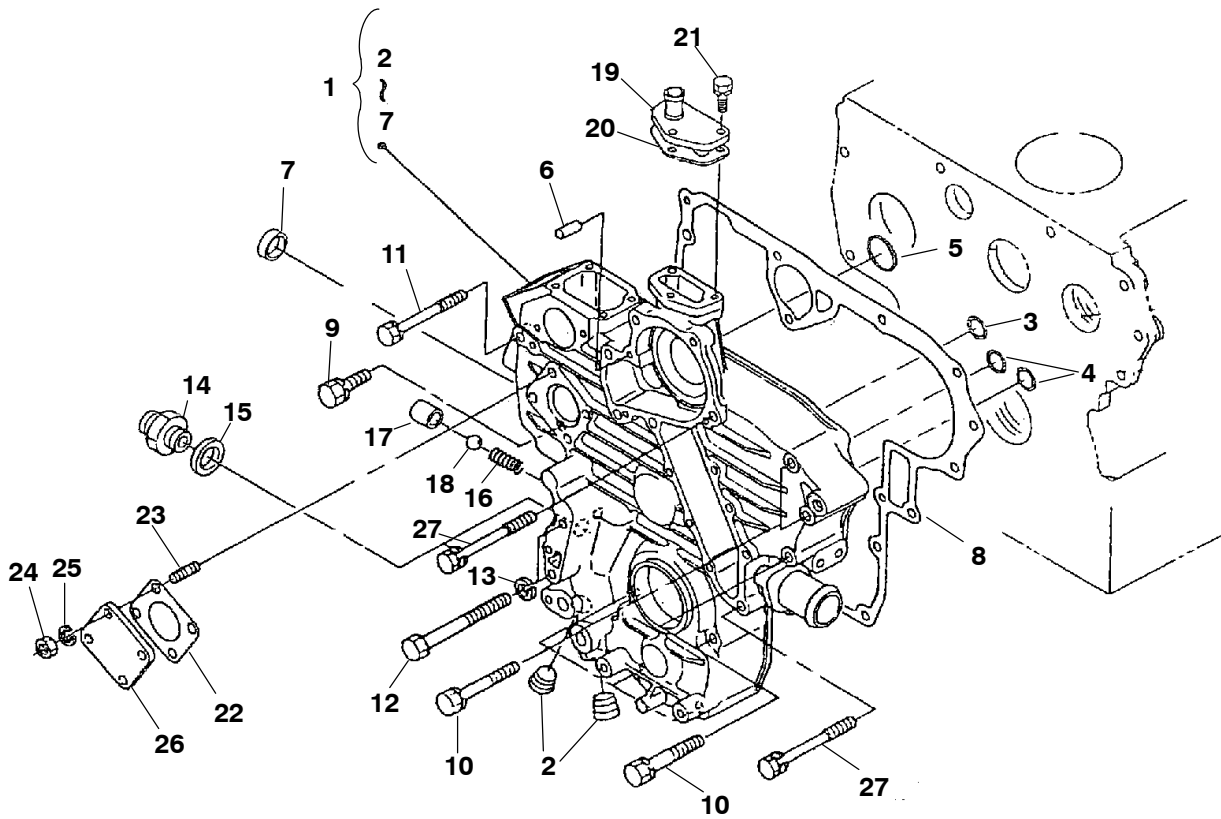
REF NO.	PART NO.	QTY USED	PART DESCRIPTION	REF NO.	PART NO.	QTY USED	PART DESCRIPTION
1	150-2843	1	Comp Guide, Solenoid	3	509-0409	1	O'Ring
2	333-0707	1	Assy, Solenoid	4	181-9034	2	Stud
				5	860-2070	2	Nut

## Idle Control (Begin Spec C)



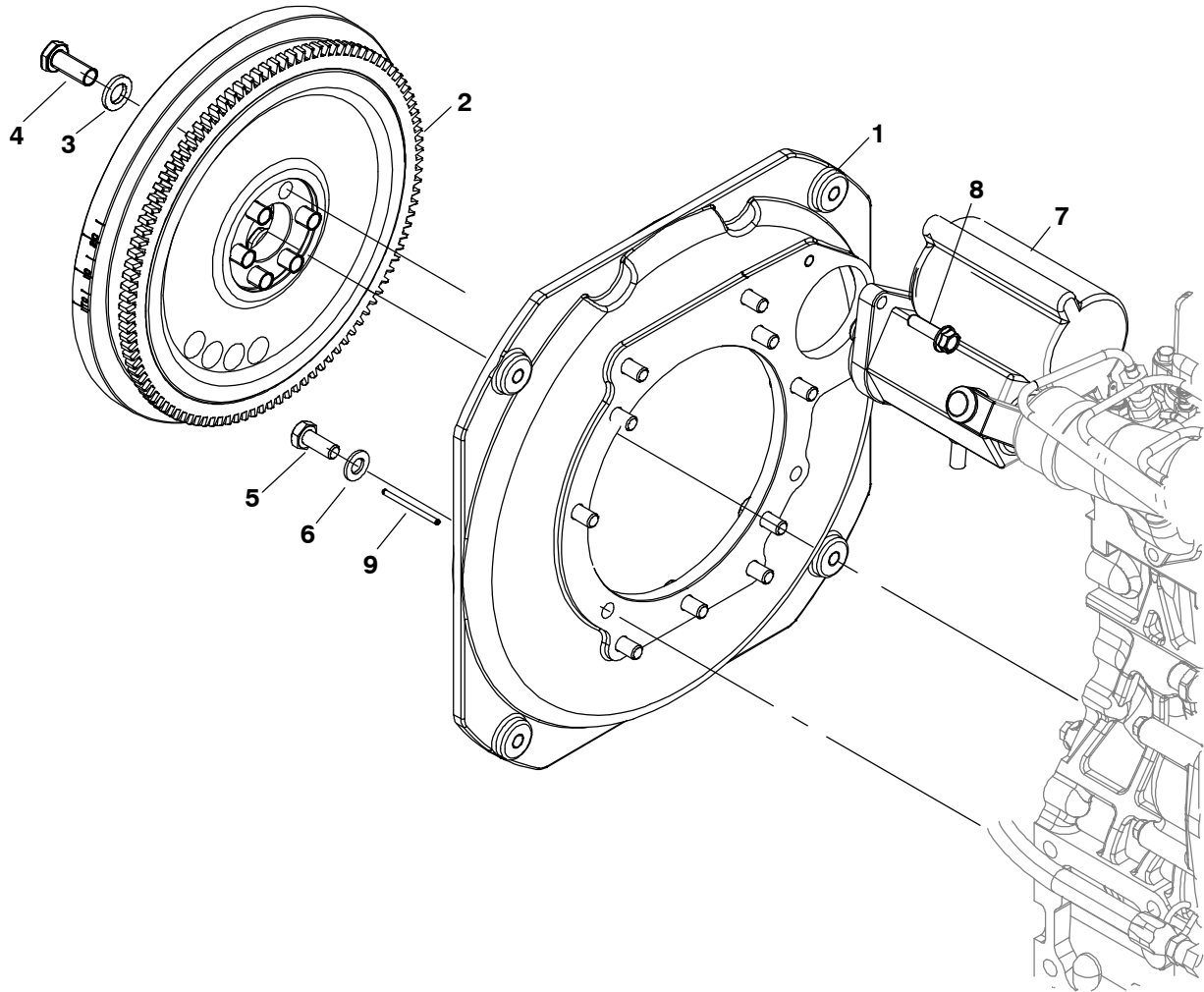
REF NO.	PART NO.	QTY USED	PART DESCRIPTION
1	150-2853	1	Apparatus, Idling
2	509-0418	1	Gasket
3	517-0374	1	Cap
4	103-0865	1	Cover
5	150-2844	1	Gasket, Plate
6	185-2388	2	Bolt
7	185-5727	2	Stud
8	185-7166	2	Nut

## Gearcase



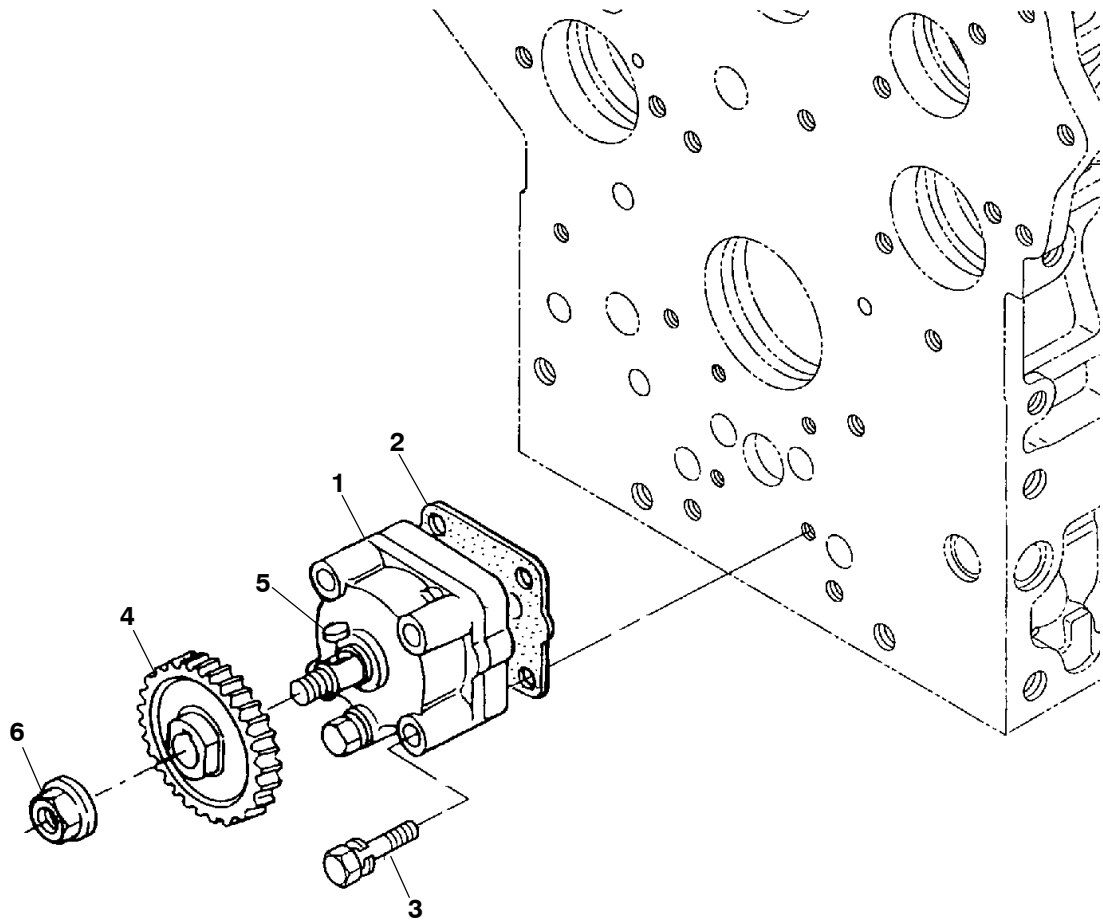
REF NO.	PART NO.	QTY USED	PART DESCRIPTION	REF NO.	PART NO.	QTY USED	PART DESCRIPTION
1	103-0833	1	Gearcase	14	505-2256	1	Joint, Pipe
2	185-6481	2	Plug	15	509-0415	1	Collar, Valve Seat
3	509-0410	1	O'Ring	16	185-5877	1	Spring
4	509-0412	2	O'Ring	17	185-5878	1	Seat, Valve
5	509-0413	1	O'Ring	18	185-6711	1	Ball
6	185-5843	2	Pin, Straight	19	185-5879	1	Flange, Water Return
7	517-0370	1	Cap, Seal	20			Gasket, Return Flange
8	103-0832	1	Gasket, Gear Case		132-0449	1	Spec A-B
9			Bolt		185-5880	1	Begin Spec C
	185-2565	1	Spec A-B	21	185-2390	3	Bolt
	800-6334	1	Begin Spec C	22	302-2084	1	Gasket, Hourmeter Unit
10			Bolt	23	185-2105	4	Stud
	185-6713	1	Spec A-B	24	185-4255	4	Nut
	800-6546	1	Begin Spec C	25	185-6759	4	Washer, Spring
11			Bolt	26	185-2153	1	Cover
	185-6961	1	Spec A-B	27			Bolt
	800-6543	1	Begin Spec C		185-5874	4	Spec A-B
12	185-7120	2	Bolt		815-1599	4	Begin Spec C
13	185-6957	2	Washer, Spring				

# Flywheel



REF NO.	PART NO.	QTY USED	PART DESCRIPTION	REF NO.	PART NO.	QTY USED	PART DESCRIPTION
1	104-2022	1	Housing, Flywheel	6	740-1008	11	Washer, Flat (M10)
2	104-2020	1	Flywheel	7	191-2229	1	Starter (See Separate Page for Components)
	104-2132	1	Spec A-B	8	815-0954-03	2	Screw, Flange Head Mach (M8 x 30mm)
3	526-0399-64	6	Begin Spec C	9	516-0247	1	Pin, Dowel
4	800-3032	6	Washer (M12)				
5	815-0600	11	Screw, Hex Head (12 x 1.25 x 30mm)				
			Screw, Lock Head Flange (M10 x 1.5 x 25mm)				

## Oil Pump

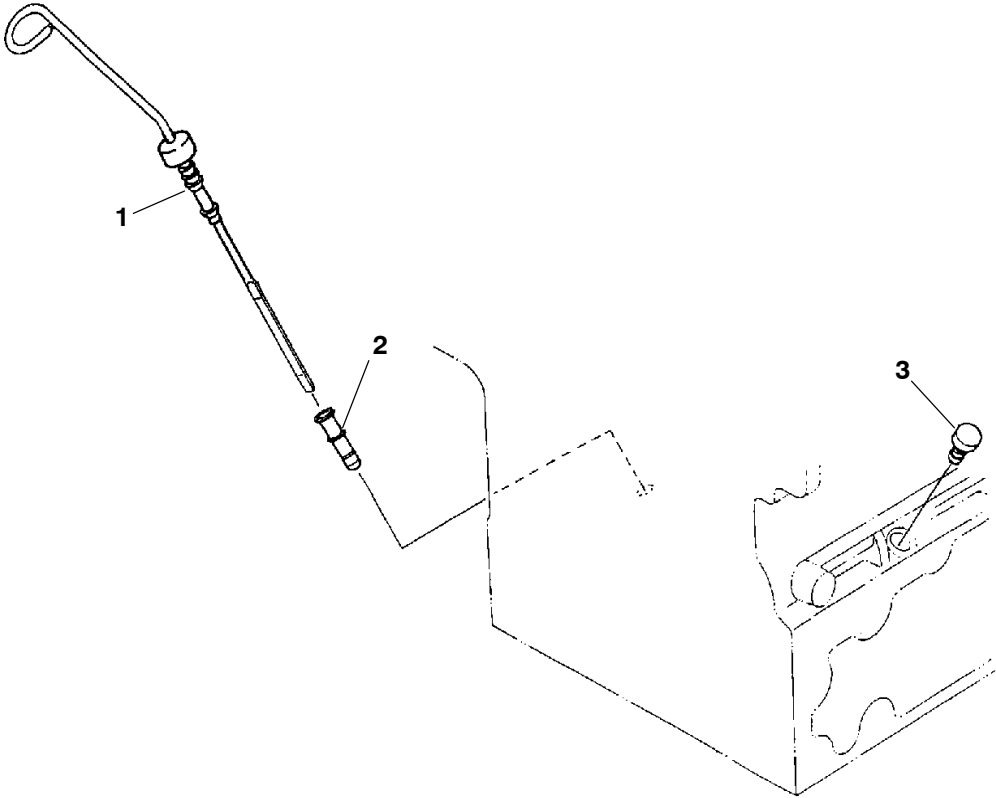


REF NO.	PART NO.	QTY USED	PART DESCRIPTION	REF NO.	PART NO.	QTY USED	PART DESCRIPTION
1	185-5848	1	Assy Pump, Oil (Includes Parts Marked *)	5	185-2352	1	*Key, Feather
2	185-5849	1	*Gasket, Oil Pump	6	185-7031	1	*Nut, Flange
3	185-7069	4	*Bolt				
4	185-5851	1	*Gear, Oil Pump Drive				

\* - Parts Included in Oil Pump Assy.

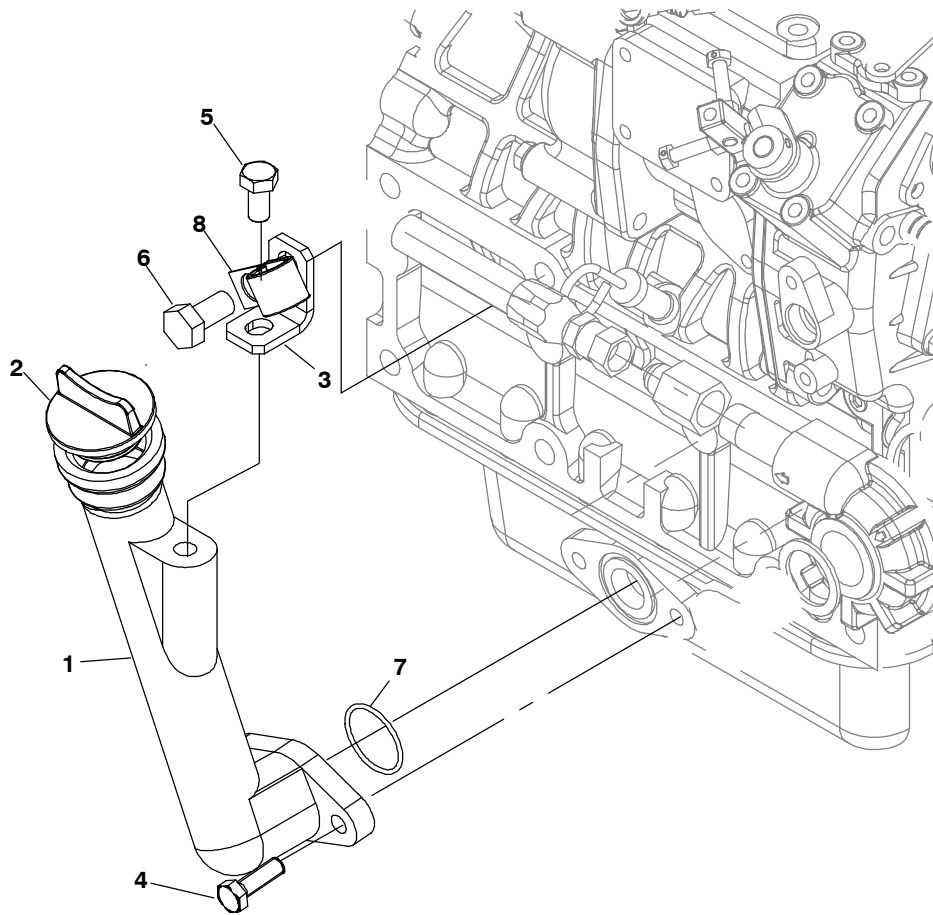


# Oil Dipstick



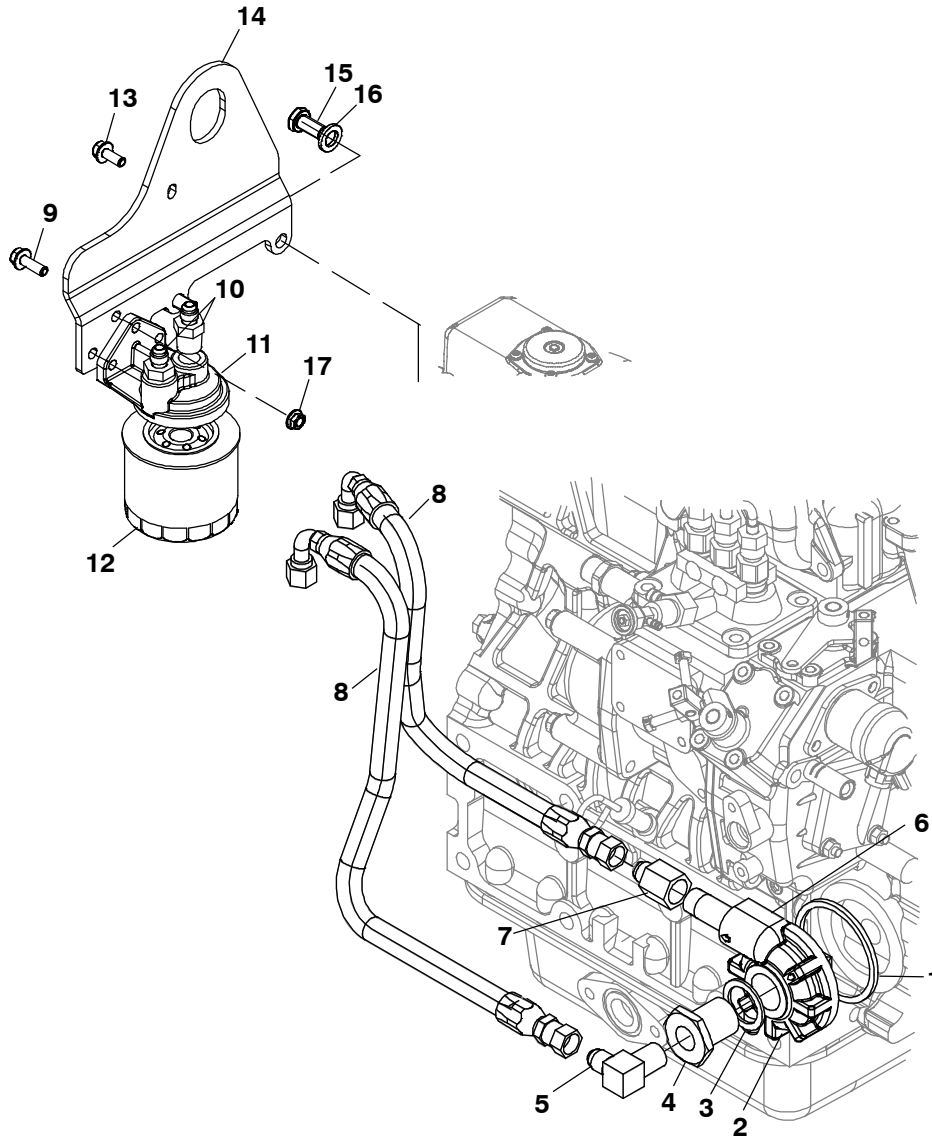
REF NO.	PART NO.	QTY USED	PART DESCRIPTION
1	123-2265	1	Gauge, Oil
2	123-2262	1	Guide, Oil Gauge
3			Plug, Oil Gauge
	517-0371	1	Spec A-B
	181-9231	1	Begin Spec C

## Oil Fill



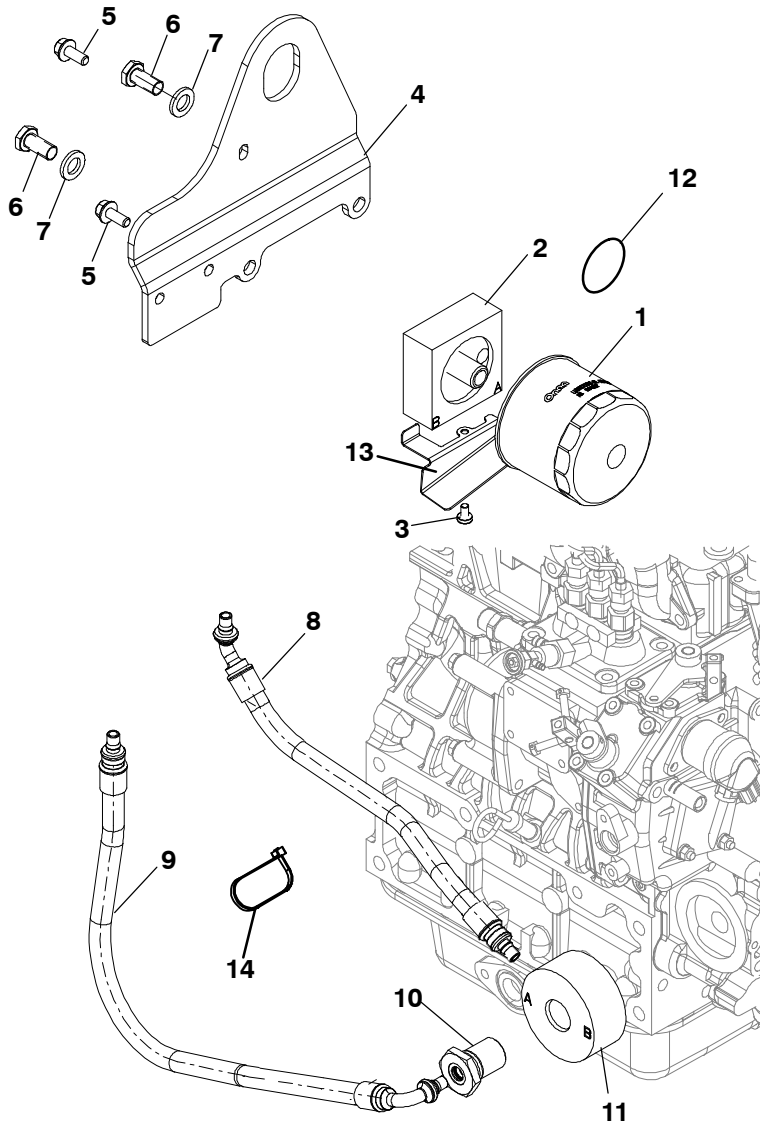
REF NO.	PART NO.	QTY USED	PART DESCRIPTION	REF NO.	PART NO.	QTY USED	PART DESCRIPTION
1	123-2253	1	Tube, Oil Fill	6	800-3031	1	Screw, Hex Head
2	185-2093	1	Cap, Oil Fill	7	123-2254	1	Gasket, Oil Fill
3	405-5508-S0	1	Bracket, Engine	8	332-2921	1	Clamp
4	718-1037	2	Screw, Hex Head				
5	800-3030	1	Screw, Hex Head				

## Remote Oil Fill (Spec A-B)



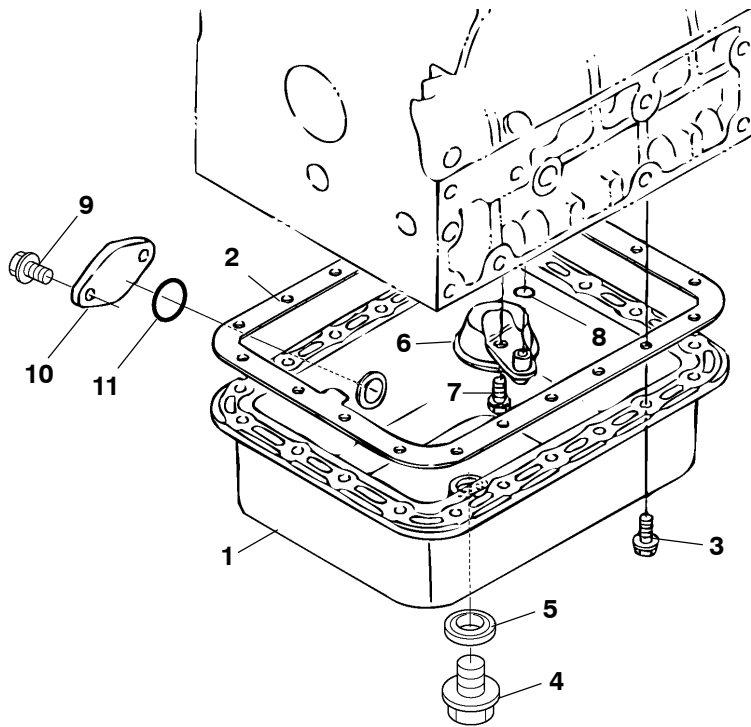
REF NO.	PART NO.	QTY USED	PART DESCRIPTION	REF NO.	PART NO.	QTY USED	PART DESCRIPTION
1	122-0886	1	Gasket, Oil Filter	11	122-0476	1	Base, Remote Filter
2	122-0882	1	Adapter, Oil Filter	12	122-0893	1	Filter, Oil
3	122-0884	1	Gasket, Oil Filter	13	815-0954-02	1	Screw, Flanged Head (M8 x 20mm)
4	122-0883	1	Adapter, Oil Filter (Nut)	14	403-5451-02	1	Plate, Lifting
5	502-1505	1	Elbow, Tube	15	800-3033	1	Screw, Hex Head Cap (M12 x 1.25 x 25mm)
6	505-0139	1	Nipple, Pipe (3/8 NPT x 2")	16	526-0399-64	1	Washer, Flat (M12)
7	502-1506	1	Adapter, Tube	17	870-2055	3	Nut, Locking Flange (M8 x 1.25mm)
8	501-0848	2	Hose, Remote Oil Fill				
9	815-0954-02	3	Screw, Flange Head Mach (M8 x 25mm)				
10	502-0804	2	Connector, Male				

## Remote Oil Fill (Begin Spec C)



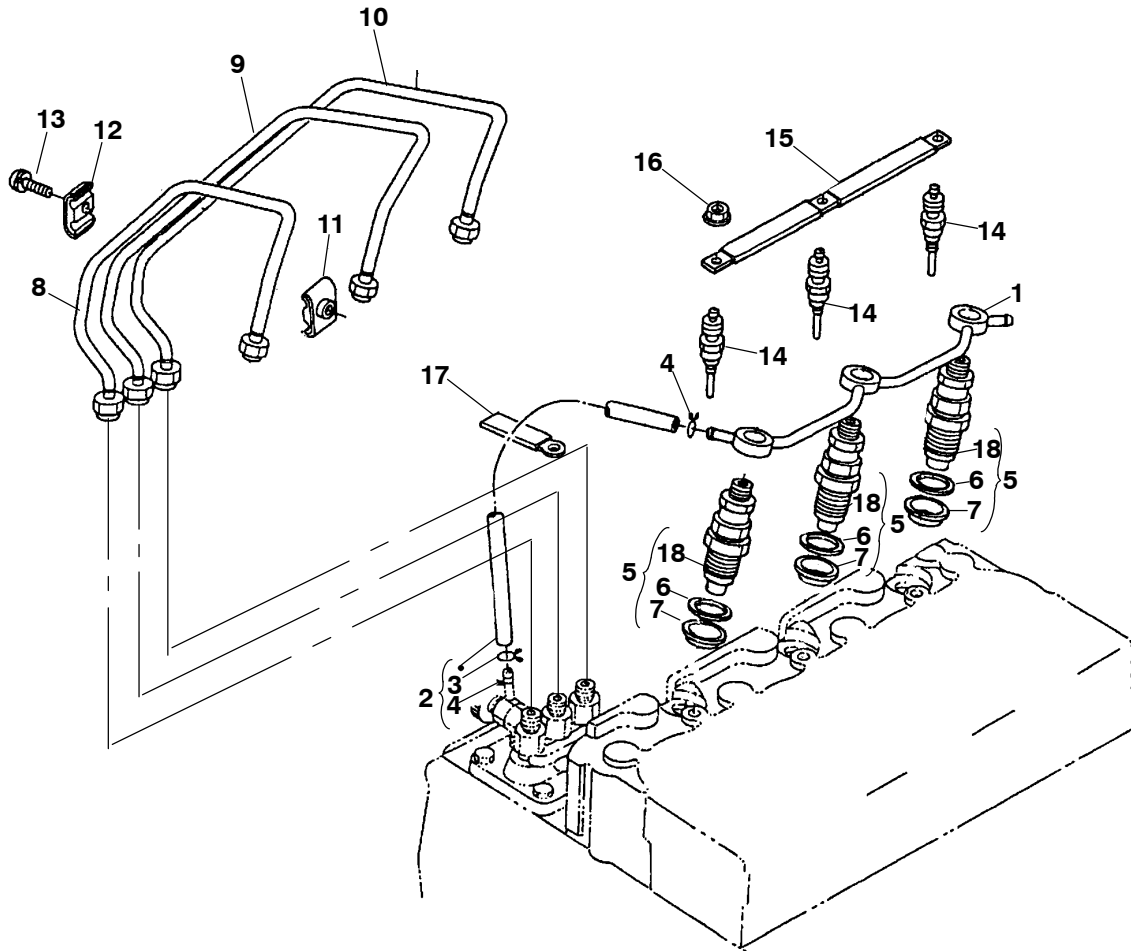
REF NO.	PART NO.	QTY USED	PART DESCRIPTION	REF NO.	PART NO.	QTY USED	PART DESCRIPTION
1	122-0893	1	Filter, Oil	8	503-2971	1	Hose, Oil
2	122-0914	1	Head, Oil Filter	9	503-2970	1	Hose, Oil
3	823-1002-03	1	Screw, Pan Head Torx (M6 x 10mm)	10	122-0916	1	Adapter, Oil Filter (Nut)
4	403-6764-02	1	Plate, Lifting	11	122-0915	1	Adapter, Oil Filter
5	815-0954-02	1	Screw, Flanged Head (M8 x 1.25 x 20mm)	12	122-0918	1	Seal, Oil
6	800-3033	8	Screw, Hex Head Cap (M12 x 1.25 x 25mm)	13	120-1388-02	1	Bracket, Oil Drain
7	526-0399-64	2	Washer, Flat (M12)	14	332-0941	1	Cable, Tie

## Oil Base



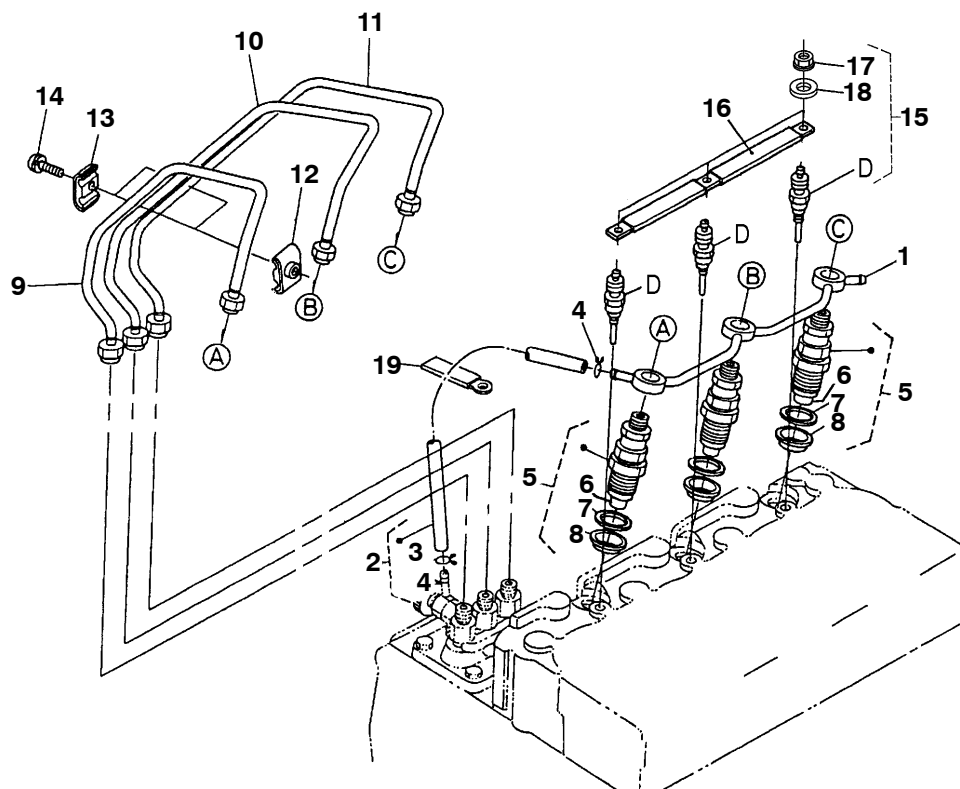
REF NO.	PART NO.	QTY USED	PART DESCRIPTION	REF NO.	PART NO.	QTY USED	PART DESCRIPTION
1	102-1572	1	Pan, Oil (Includes Plug and O'Ring)	7			Bolt
2	102-1523	1	Gasket, Oil Pan		185-6956	1	Spec A-B
3			Bolt, Flange		185-2976	1	Begin Spec C
	800-6340	20	Spec A-B	8	509-0411	1	O'Ring
	800-6547	20	Begin Spec C	9	0800-6542	2	Bolt, Flange
4	185-6046	1	Plug	10	102-1574	1	Cover
5	185-5495	1	Gasket	11	185-6392	1	O'Ring
6	185-6728	1	Pickup, Oil				

## Injection Pump (Spec A-B)



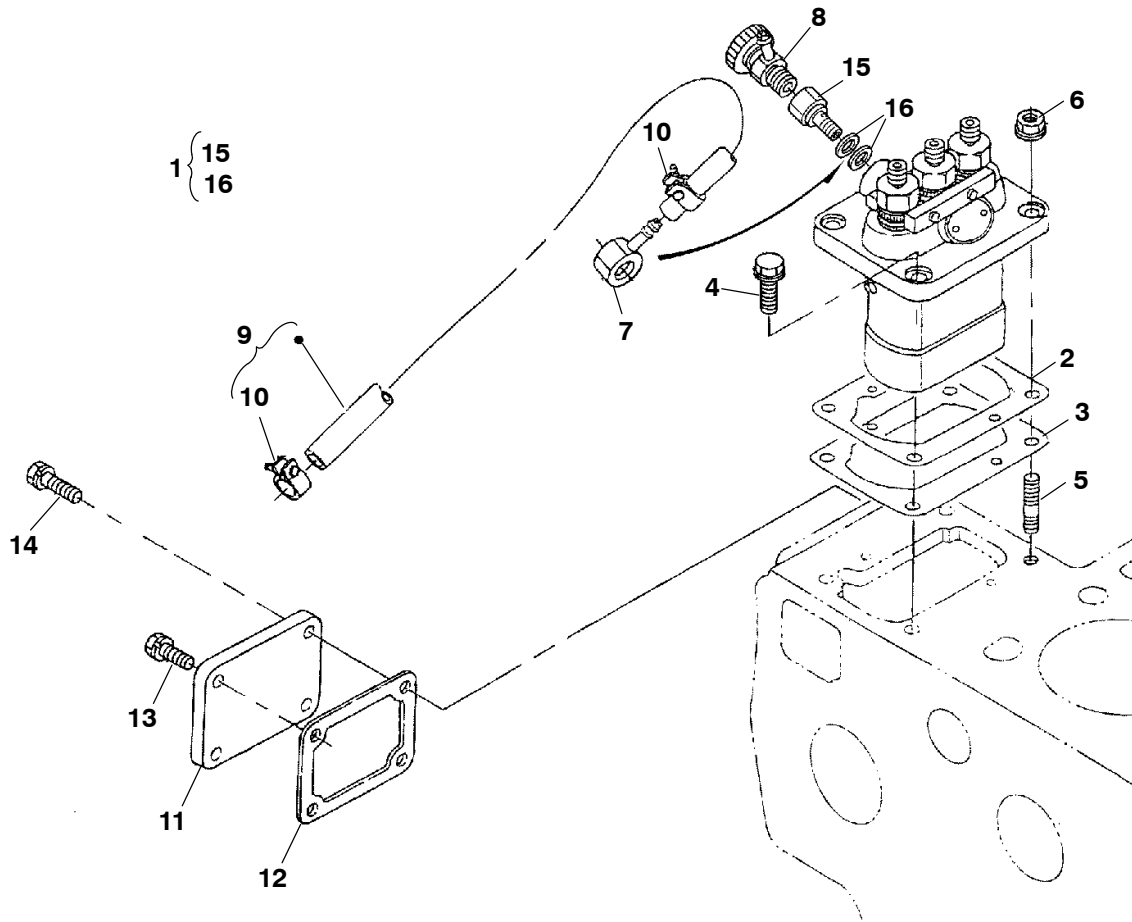
REF NO.	PART NO.	QTY USED	PART DESCRIPTION	REF NO.	PART NO.	QTY USED	PART DESCRIPTION
1	501-0883	1	Assy, Overflow Pipe	10	501-0886	1	Pipe, Injection
2	185-6181	1	Assy, Overflow Pipe	11	185-5612	2	Clamp, Pipe
3	185-5608	1	Clip, Pipe	12	185-2345	2	Clamp, Pipe
4	185-6093	1	Clip, Pipe	13	185-2385	2	Screw, w/ Washer
5	185-7008	3	Holder, Nozzle	14	185-5990	3	Pug, Glow
6	185-5337	3	Gasket	15	337-3739	1	Cord, Glow Plug
7	185-5985	3	Seal, Heat	16	185-5615	3	Nut, Flange
8	501-0884	1	Pipe, Injection	17	185-5140	1	Clamp, Cord
9	501-0885	1	Pipe, Injection	18	185-7006	3	Piece, Nozzle

## Injection Pump (Begin Spec C)



REF NO.	PART NO.	QTY USED	PART DESCRIPTION	REF NO.	PART NO.	QTY USED	PART DESCRIPTION
1	185-7003	1	Assy, Overflow Pipe	11	185-5988	1	Pipe, Injection
2	185-6181	1	Assy, Overflow Pipe	12	185-5612	2	Clamp, Pipe
3	185-5608	1	Clip, Pipe	13	185-2345	2	Clamp, Pipe
4	120-1399	1	Clip, Pipe	14	185-2385	2	Screw, w/Washer
5	185-7008	3	Kit Holder, Nozzle	15	185-5990	3	Plug, Glow
6	185-7006	3	Piece, Nozzle	16	337-3739	1	Cord, Glow Plug
7	185-5337	3	Gasket	17	185-5615	3	Nut, Flange
8	185-5985	3	Seal, Heat	18	185-7004	3	Washer, Plain
9	501-0884	1	Pipe, Injection	19	185-5140	1	Clamp, Cord
10	501-0885	1	Pipe, Injection				

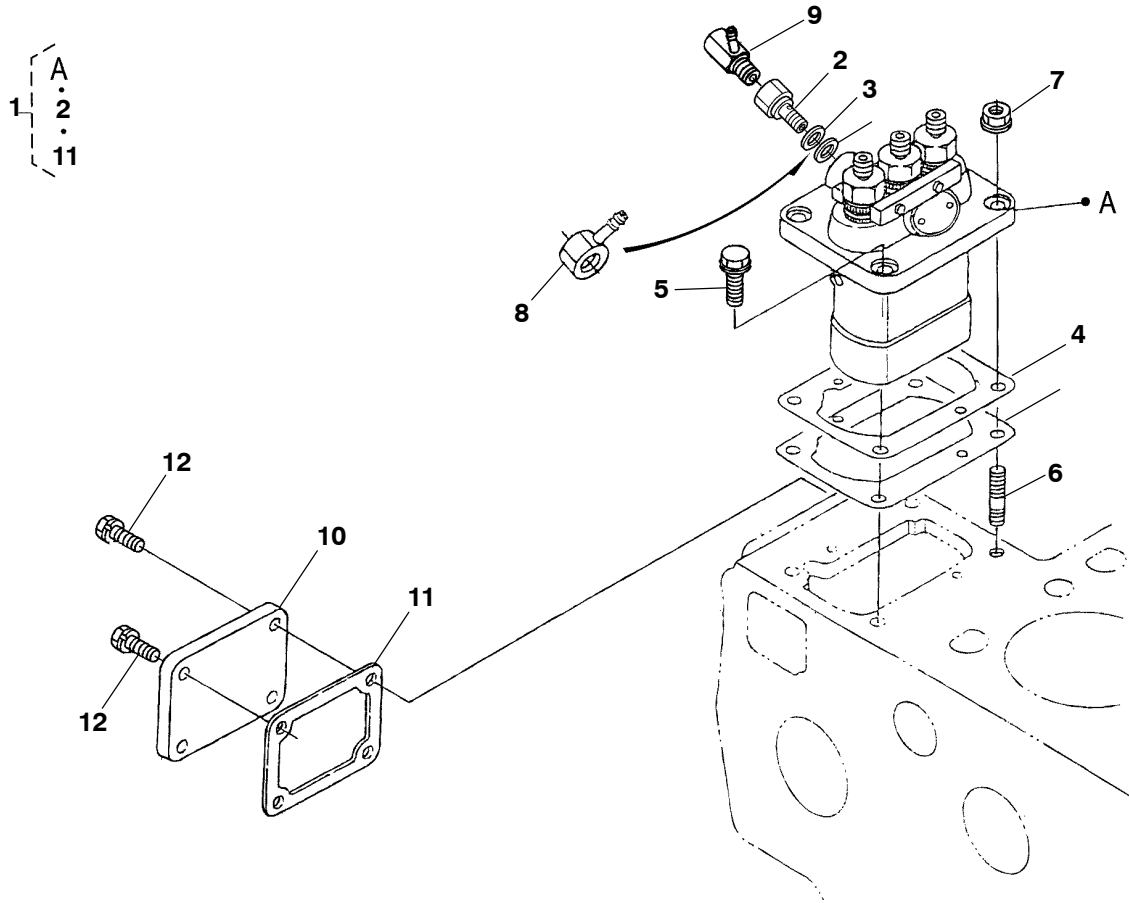
## Injection Pump Components (Spec A-B)



REF NO.	PART NO.	QTY USED	PART DESCRIPTION	REF NO.	PART NO.	QTY USED	PART DESCRIPTION
1	147-0892	1	Pump, Injection	8	505-2258	1	Orifice
2	185-6987	1	Shim, Injector Pump	9	185-5979	1	Pipe, Fuel
	185-6988	1	.20mm	10	503-0731	2	Clip, Pipe
		1	.25mm	11	152-0373	1	Cover, Injector Pump
3	185-6989	1	Shim, Injector Pump	12	101-0837	1	Gasket, Pump Cover
4	800-6333	2	Bolt, Flange	13	185-2388	2	Bolt
5	185-2106	2	Stud	14	185-2389	2	Bolt
6	185-7134	2	Nut, Flange	15	505-2251	1	Screw, Follow
7	185-6991	1	Joint, Eye	16	185-6996	2	Gasket

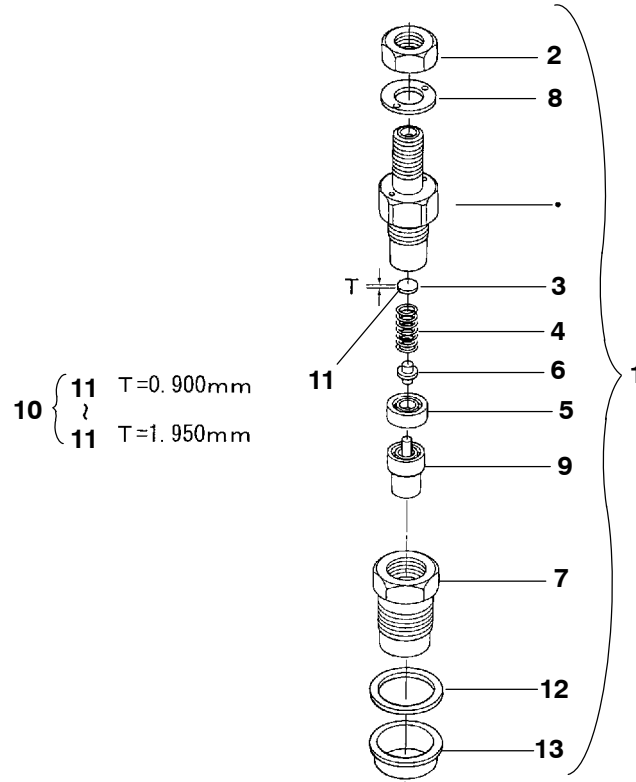


## Injection Pump Components (Begin Spec C)



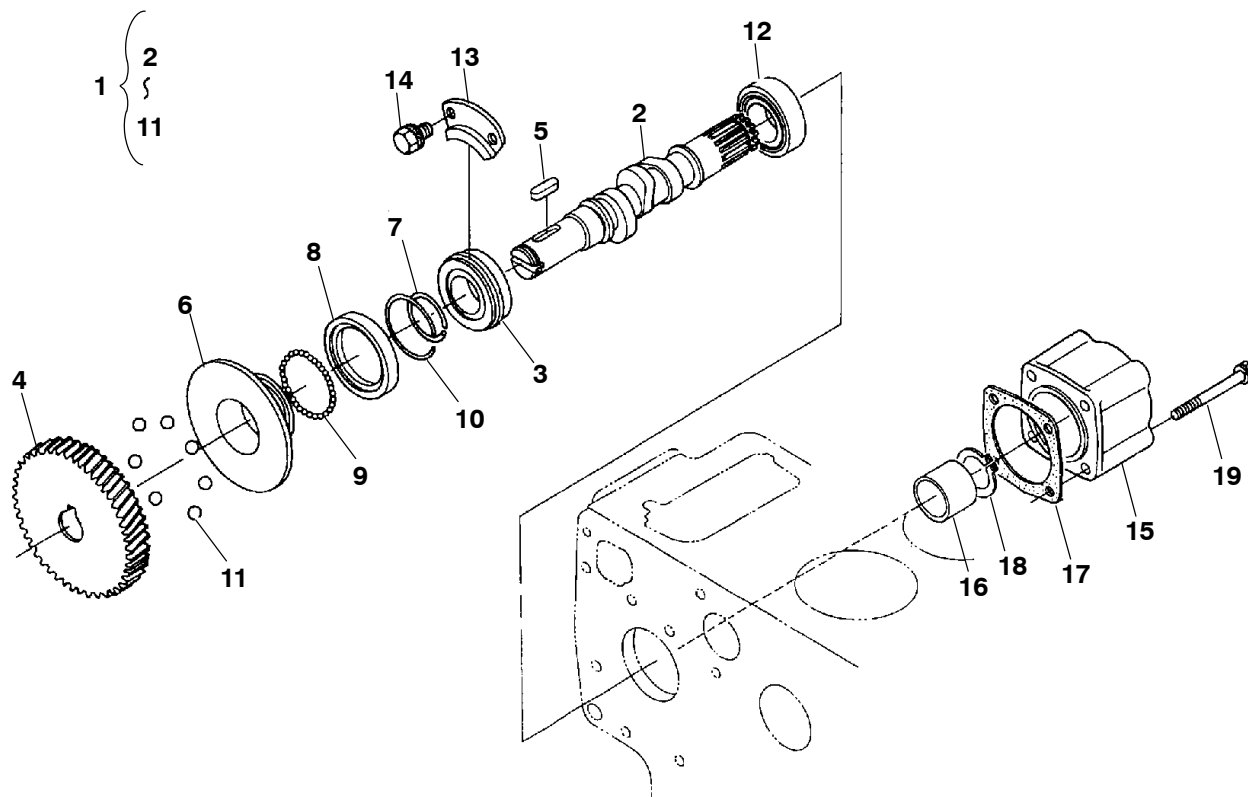
REF NO.	PART NO.	QTY USED	PART DESCRIPTION	REF NO.	PART NO.	QTY USED	PART DESCRIPTION
1	147-0892	1	Pump, Injection	5	800-6333	2	Bolt, Flange
2	185-6998	1	Screw, Hollow	6	185-2106	2	Stud
3	185-6996	1	Gasket	7	185-7134	2	Nut, Flange
4			Shim, Injector Pump	8	185-6991	1	Joint, Eye
	147-0985	1	.175mm	9	505-2258	1	Orifice
	185-6987	1	.200mm	10	152-0373	1	Cover, Injection Pipe
	185-6988	1	.250mm	11	101-0837	1	Gasket, Pump Cover
	185-6989	1	.300mm	12	185-2388	2	Bolt

## Injection Nozzle Components



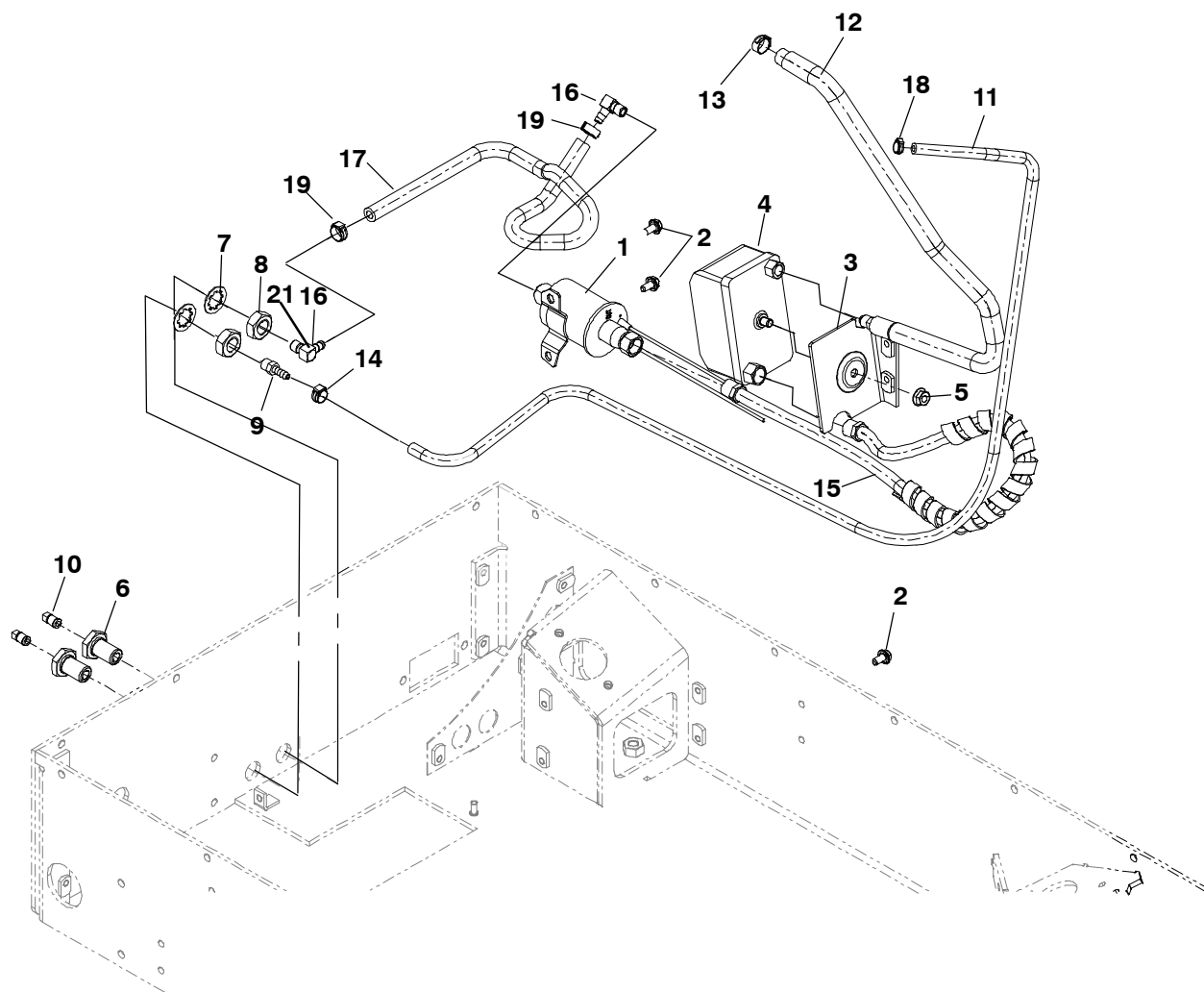
REF NO.	PART NO.	QTY USED	PART DESCRIPTION	REF NO.	PART NO.	QTY USED	PART DESCRIPTION
1	185-7008	3	Holder, Nozzle		185-5381	3	1.325mm
2	185-5616	3	Nut		185-5382	3	1.350mm
3	185-5364	3	Washer, Adjusting		185-5383	3	1.375mm
4	185-5617	3	Spring, Nozzle		185-5384	3	1.400mm
5	185-5618	3	Piece, Distance		185-5385	3	1.425mm
6	185-5619	3	Push, Rod		185-5386	3	1.450mm
7	185-6825	3	Nut, Nozzle		185-5387	3	1.475mm
8	185-5621	3	Washer		185-5388	3	1.500mm
9	185-7006	3	Piece, Nozzle		185-5389	3	1.525mm
10	185-5363	3	Washer, Adjust		185-5390	3	1.550mm
11			Washer, Adjust		185-5391	3	1.575mm
	185-5364	3	0.900mm		185-5392	3	1.600mm
	185-5365	3	0.925mm		185-5393	3	1.625mm
	185-5366	3	0.950mm		185-5394	3	1.650mm
	185-5367	3	0.975mm		185-5395	3	1.675mm
	185-5368	3	1.000mm		185-5396	3	1.700mm
	185-5369	3	1.025mm		185-5397	3	1.725mm
	185-5370	3	1.050mm		185-5398	3	1.750mm
	185-5371	3	1.075mm		185-5399	3	1.775mm
	185-5372	3	1.100mm		185-5400	3	1.800mm
	185-5373	3	1.125mm		185-5401	3	1.825mm
	185-5374	3	1.150mm		185-5402	3	1.850mm
	185-5375	3	1.175mm		185-5403	3	1.875mm
	185-5376	3	1.200mm		185-5404	3	1.900mm
	185-5377	3	1.225mm		185-5405	3	1.925mm
	185-5378	3	1.250mm		185-5406	3	1.950mm
	185-5379	3	1.275mm	12	185-5337	3	Gasket
	185-5380	3	1.300mm	13	185-5985	3	Seal, Heat

## Fuel Camshaft



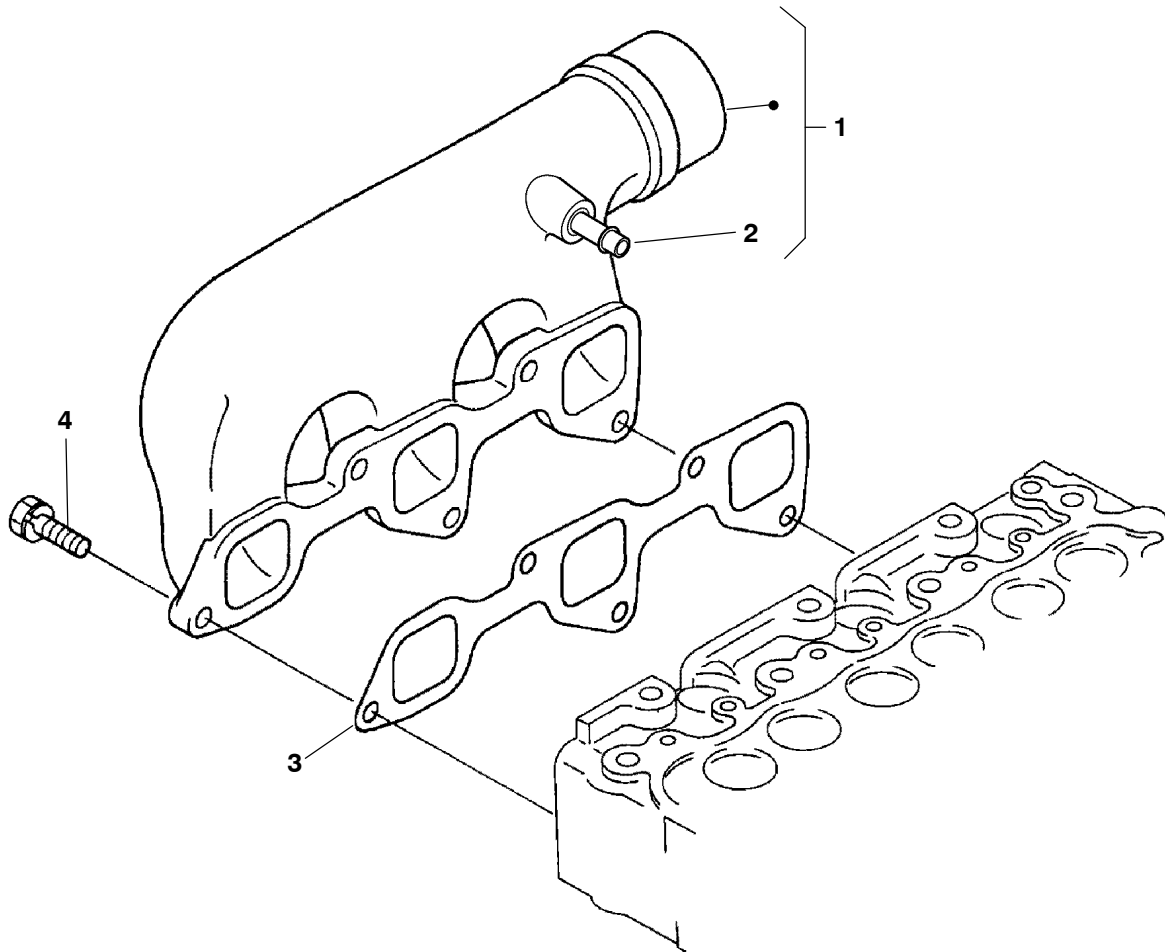
REF NO.	PART NO.	QTY USED	PART DESCRIPTION	REF NO.	PART NO.	QTY USED	PART DESCRIPTION
1	150-2838	1	Assy,Camshaft, Fuel Spec A-B	10	518-0713	1	Circle Clip
	105-0773	1	Begin Spec C	11	105-0741	7	Ball
2	150-2839	1	Camshaft, Fuel	12	510-0214	1	Bearing, Ball
3	185-5947	1	Bearing, Ball	13	185-5962	1	Stopper, Fuel Camshaft
4	147-0882	1	Gear, Injection Pump Spec A-B	14	185-6956	2	Bolt
	147-0984	1	Begin Spec C	15	185-6772	1	Cover, Fuel Camshaft
5	185-5949	1	Key, Feather	16	150-2837	1	Collar
6	150-2798	1	Sleeve, Governor	17			Gasket
7	518-0712	1	Circle Clip, Governor Sleeve		150-2848	1	Spec A-B
8	150-2800	1	Case, Governor Ball		150-2993	1	Begin Spec C
9	105-0740	39	Ball	18	185-5963	1	Circle Clip, External
				19	185-6773	1	Bolt

## Fuel System



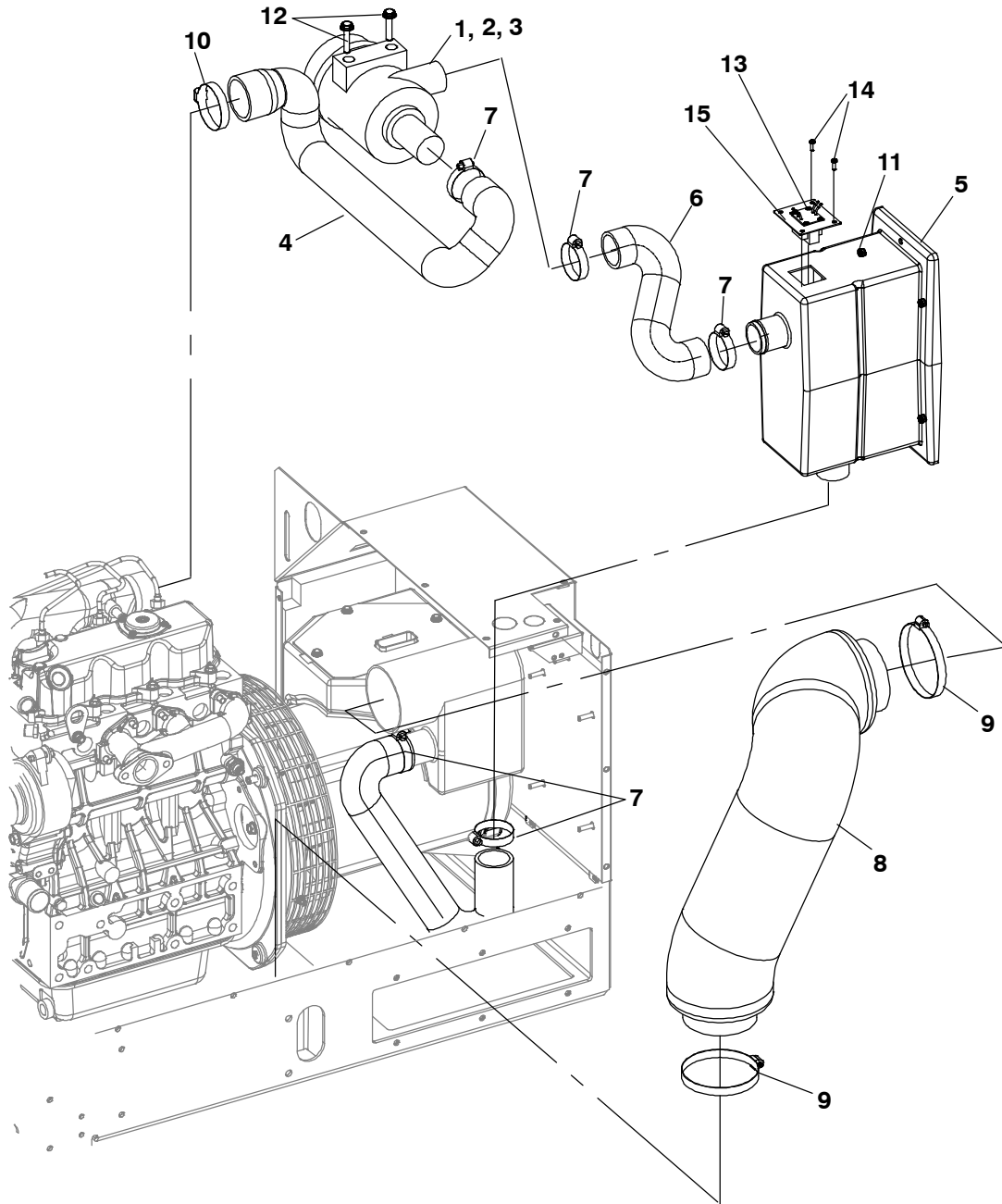
REF NO.	PART NO.	QTY USED	PART DESCRIPTION	REF NO.	PART NO.	QTY USED	PART DESCRIPTION
1	149-2790	1	Pump, Fuel	10	517-0273	2	Plug, Pipe
2	821-2096-02	4	Screw, Locking Flange Head (M6 x 1 x 12mm)	11	A026F730	1	Hose, Fuel
3	149-2726-02	1	Bracket, Fuel Filter	12	149-2580-02	1	*Line, Fuel
4	149-2513	1	Filter, Fuel	13	503-1951-13	1	Clamp, Hose
5	870-0257	1	Nut, Self Locking Flange (5/16-18)	14	503-1951-09	2	Clamp, Hose
6	502-1296-02	2	Fitting, Bulkhead	15	A030D745	1	Line, Fuel
7	854-0028	2	Washer, IT Lock (5/8")	16	502-0313	2	Elbow, 90°
8	868-0007	2	Nut, Hex Jam (5/8-18)	17	A029L892	1	Hose, Fuel
9	502-1299	1	Connector, Hose	18	503-1952-06	1	Clamp, Hose
				19	503-1951-12	2	Clamp, Hose
				21	518-0288	1	Sealant, Thread

## Exhaust Manifold



REF NO.	PART NO.	QTY USED	PART DESCRIPTION	REF NO.	PART NO.	QTY USED	PART DESCRIPTION
1	154-3289	1	Manifold Inlet	3	154-3188	1	Gasket, Inlet Manifold
2	185-6103	1	Pipe, Water Return Spec A-B	4	185-2402	5	Bolt
	185-6103	1	Begin Spec C				

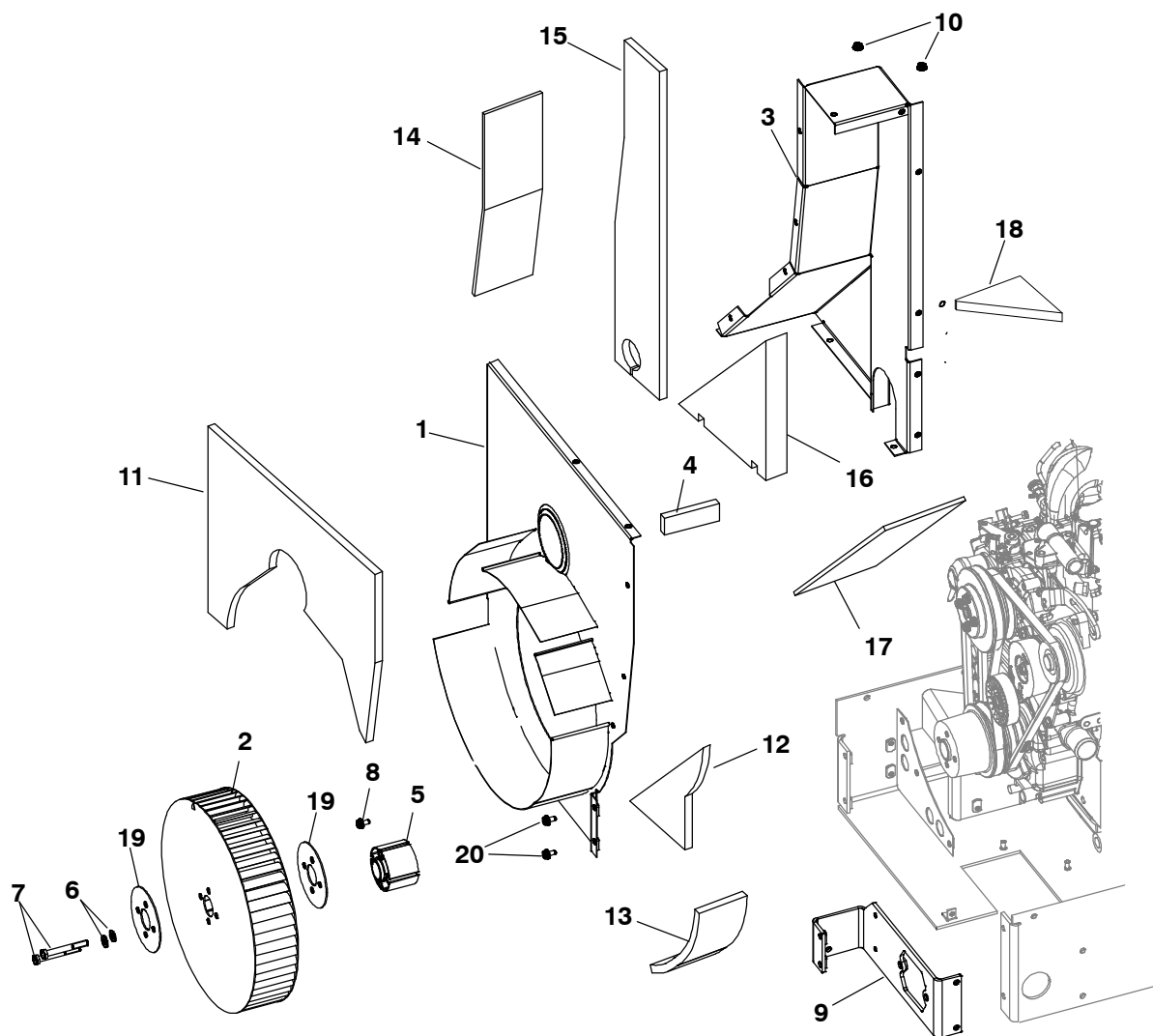
## Air Intake System



REF NO.	PART NO.	QTY USED	PART DESCRIPTION	REF NO.	PART NO.	QTY USED	PART DESCRIPTION
1	140-3050	1	Cleaner, Air (Includes Parts Marked *)	11	870-0506	5	Nut, Nylon Locking (M6)
2	140-3072	1	*Cover, Cleaner	12	821-2097-06	2	Screw, Lock Flange (M8 x 1.25 x 40mm)
3	140-3071	1	*Cleaner, Element	13	315-0899	1	Transformer, Current
4	503-2497	1	Hose, Intake	14	815-0888	4	Screw, Pan Head (SDT)
5	140-3519-01	1	Resonator, Intake	15	315-1650-02	1	Plate, Transformer
6	503-2436	1	Hose, Air	16	818-0247-01	4	Rivet (Not shown, used for Current transformer mounting)
7	503-0365	5	Clamp, Hose				
8	503-2446	1	Hose, Intake				
9	503-1148	2	Clamp, Hose				
10	503-0465	1	Clamp, Hose				

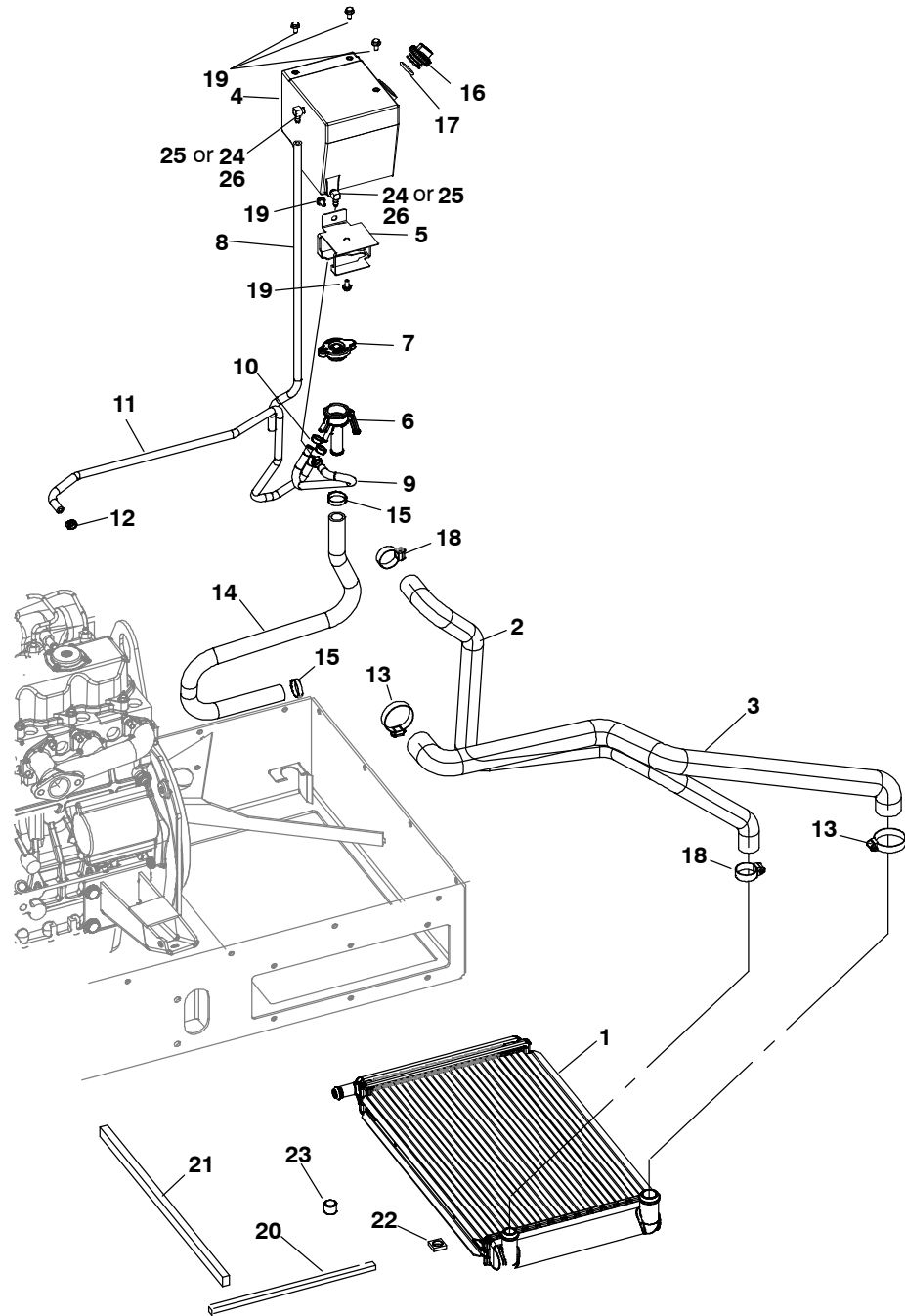
\* - Parts included in Air Cleaner.

## Fan Mounting



REF NO.	PART NO.	QTY USED	PART DESCRIPTION	REF NO.	PART NO.	QTY USED	PART DESCRIPTION
1	405-8238-02	1	Baffle, Air	11	405-8500	1	Insulation, Baffle
2	130-4748	1	Fan, Sucker	12	405-8499	1	Insulation, Outlet (Duct)
3	405-9540-02	1	Duct, Air	13	405-8285	1	Insulation, Outlet
4	405-8489	1	Insulation, Duct	14	405-9150	1	Insulation, Outlet
5	130-1872	1	Spacer, Fan	15	405-9148	1	Insulation, Outlet (Duct)
6	740-1006	4	Washer, Flat (M8)	16	405-9149	1	Insulation, Outlet (Duct)
7	800-2066	4	Screw, Hex Head (M8 x 1.25 x 65mm)	17	405-8491	1	Insulation, Outlet (Duct)
8	821-2096-02	12	Screw, Locking Flange (M6 x 1 x 12mm)	18	405-9578	1	Insulation, Outlet (Duct)
9	403-5450-02	1	Plate, Bulkhead	19	205-0320-02	2	Backplate, Fan (Begin Spec B)
10	870-2054	3	Nut, Locking, Flange (M6 x 1)	20	821-2096-03	7	Screw, Locking Flange (M6 x 1 x 16mm)

# Cooling System



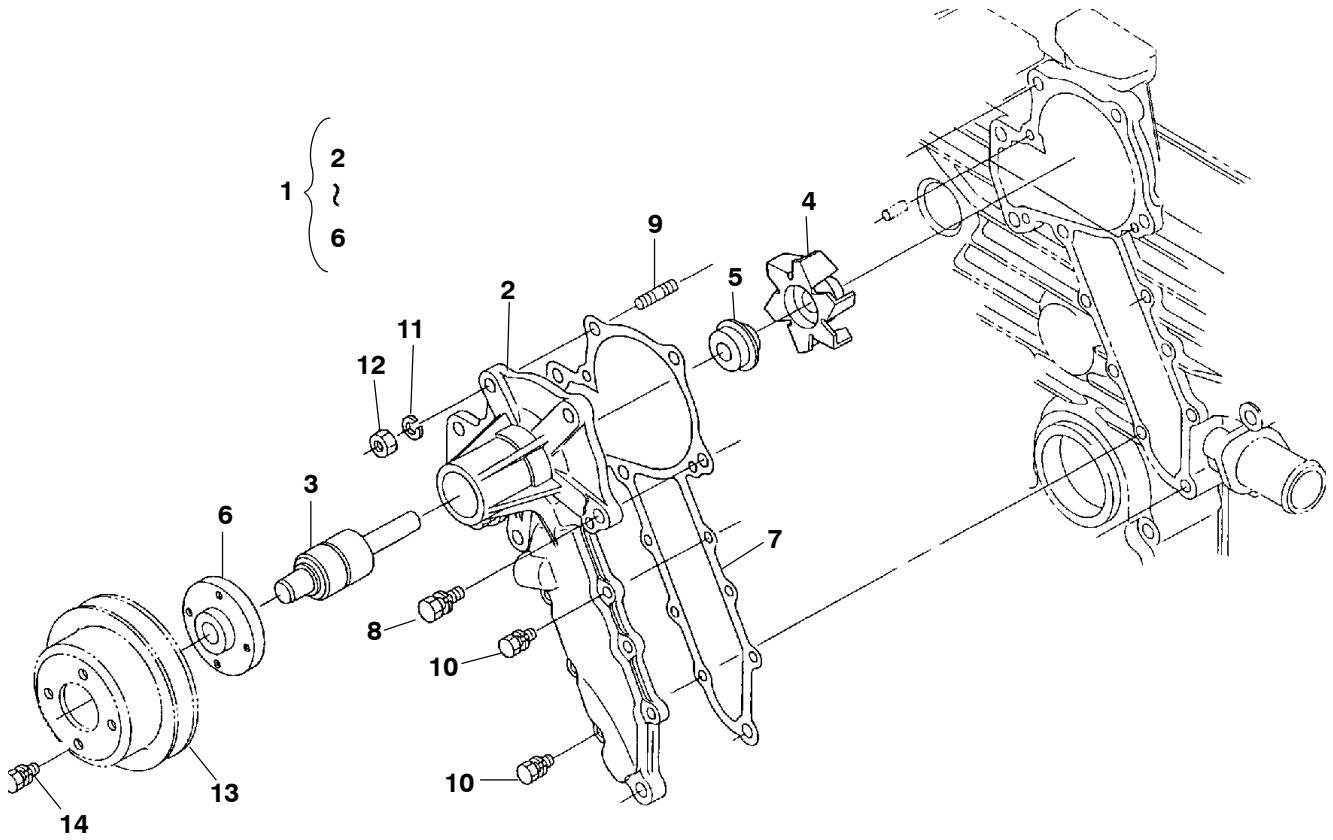


## Cooling System

REF NO.	PART NO.	QTY USED	PART DESCRIPTION	REF NO.	PART NO.	QTY USED	PART DESCRIPTION
1	130-6171	1	Radiator	17	509-0329	1	O'Ring
2	503-2500	1	Hose, Coolant	18	503-1137	2	Clamp, Hose
3	503-2501	1	Hose, Coolant	19	821-2096-02	5	*Screw, Locking, Flange (M6 x 1 x 12mm)
4	A041E766		Tank, Recovery Kit	20	130-6248	2	Seal, Radiator
5	123-2240-03	1	*Bracket, Fill Tube	21	130-6247	1	Seal, Radiator
6	130-4321	1	Neck, Fill	22	A041A765	1	Seal, Radiator
7	130-4320	1	Cap, Fill	23	505-0180	1	Plug, Counter Sunk Head
8	503-1959	1	Hose, Air Bleed	24	502-1529	2	@Connection, Hose Nylon 90°
9	503-2059	1	Hose, Overflow	25	A028T907	2	*#Connector, Hose (90°)
10	503-1951-12	3	Clamp, Hose	26	0508-1104	2	*#Grommet
11	503-2555	1	Hose, Coolant (Vent)				
12	503-1951-09	1	Clamp, Hose				
13	503-1138	2	Clamp, Hose				
14	503-2554	1	Hose, Fill				
15	503-1951-35	2	Clamp, Hose				
16	130-4450-02	1	Cap, Push-On				

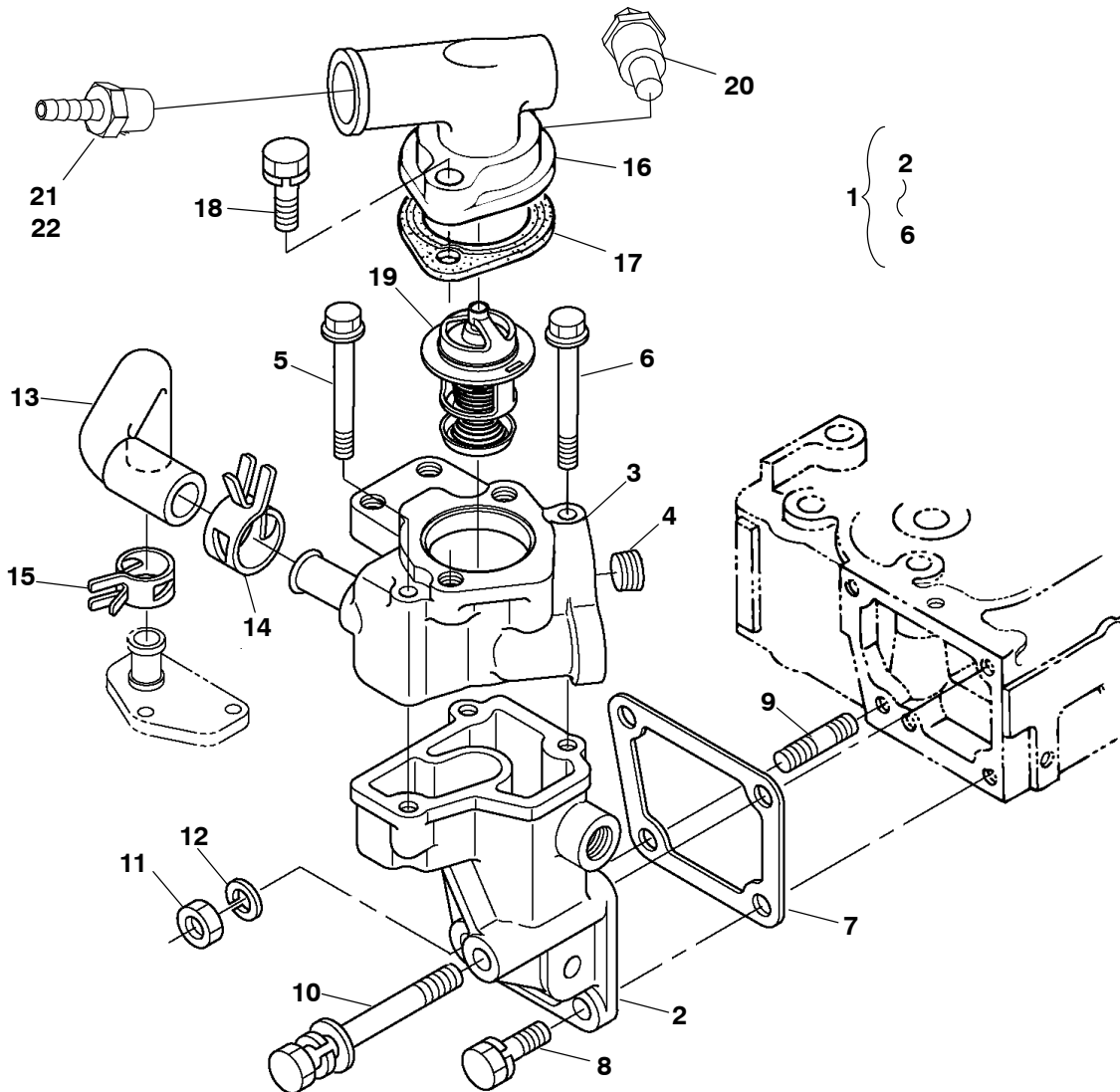
\* - Parts included in coolant recovery tank.  
 @- For use with older coolant recovery tanks.  
 # - For use with coolant recovery tank kit part A041E766 and expansion A040V501.

# Water Pump



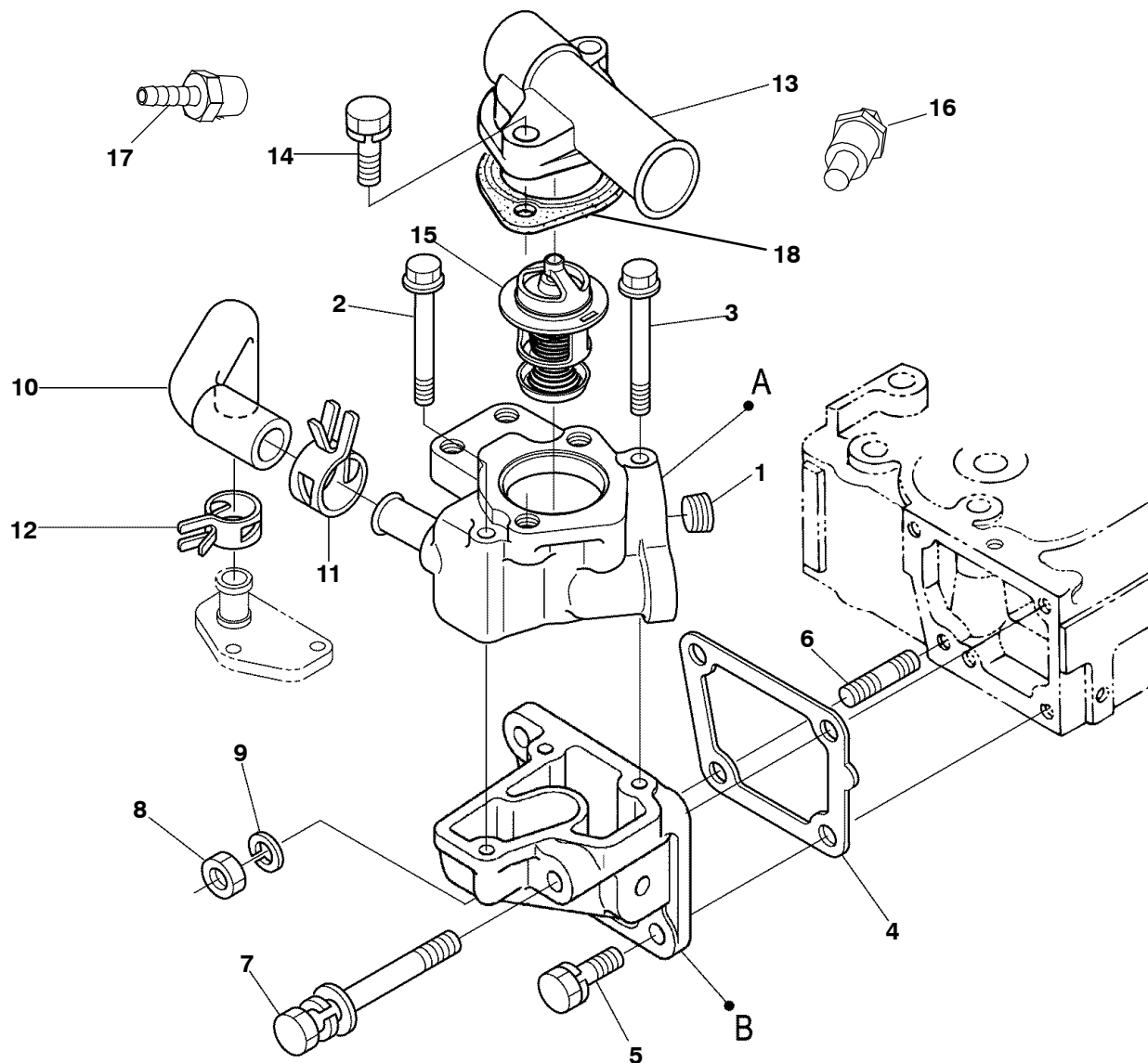
REF NO.	PART NO.	QTY USED	PART DESCRIPTION	REF NO.	PART NO.	QTY USED	PART DESCRIPTION
1	132-0448	1	Pump, Water	8	185-2404	2	Bolt
2	132-0446	1	Body, Water Pump	9	520-2655	1	Stud
3	510-0215	1	Bearing	10	185-2389	6	Bolt
4	132-0444	1	Impeller, Water Pump	11	185-6957	1	Washer, Spring
5	509-0419	1	Seal, Shaft	12	185-2367	1	Nut
6	130-6347	1	Flange, w/ Pump Shaft	13	512-0447	1	Pulley, Fan
7	132-0447	1	Gasket, Water Pump	14	185-7013	4	Bolt, Flanged

## Thermostat Assy (Spec A-B)



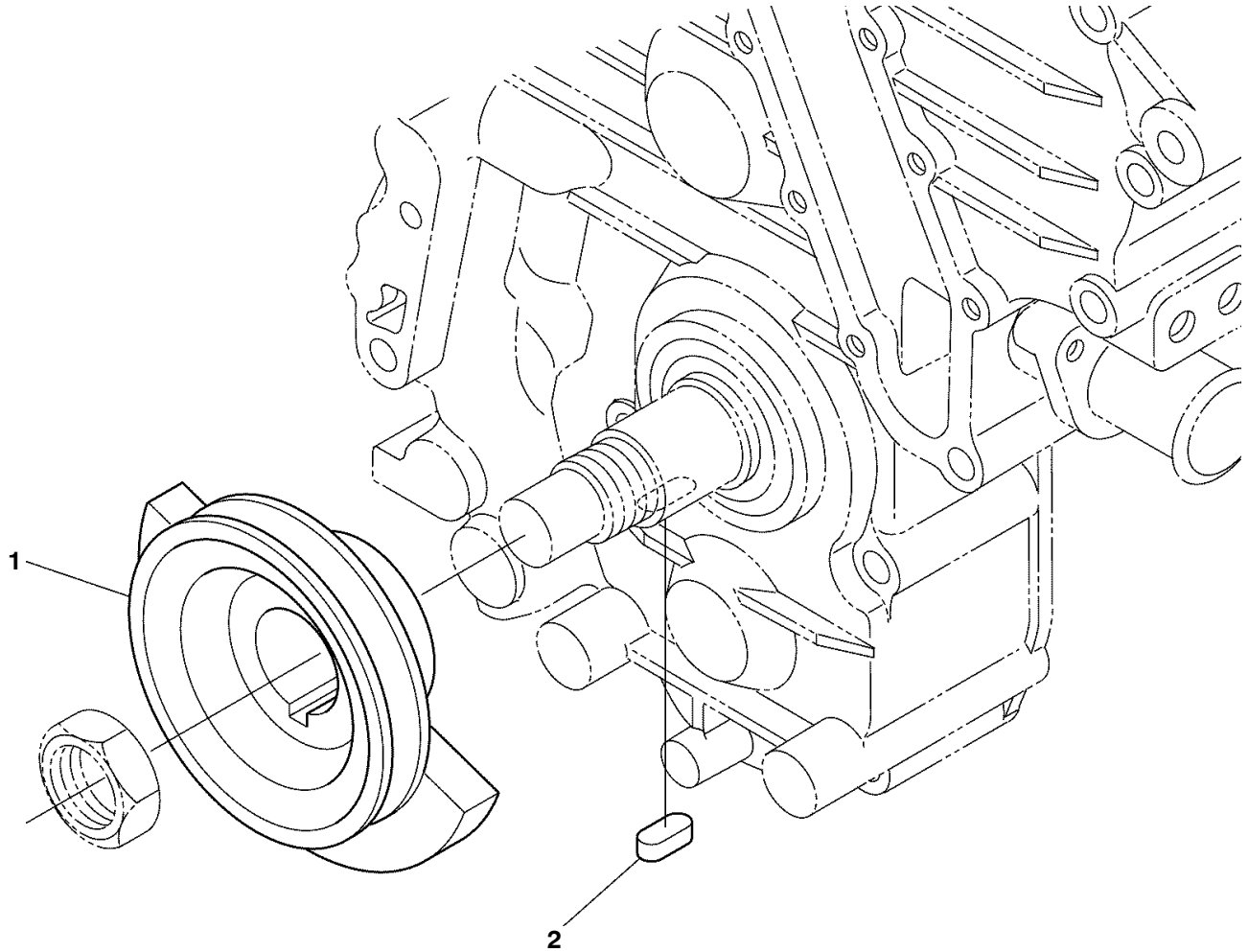
REF NO.	PART NO.	QTY USED	PART DESCRIPTION	REF NO.	PART NO.	QTY USED	PART DESCRIPTION
1	130-6330	1	Comp, Flange Water	12	185-6957	1	Washer, Spring
2	130-6331	1	Flange, Water	13	503-2553	1	Pipe, Water Return
3	130-6333	1	Flange, Water	14	185-6722	1	Clamp, Hose
4	505-2252	1	Plug	15	503-2552	1	Clamp, Hose
5	800-6331	2	Bolt, Flange	16	185-7298	1	Cover, Thermostat
6	800-6332	1	Bolt, Flange	17	185-6004	1	Gasket, Thermostat
7	185-5999	1	Gasket, Water Flange	18	185-2565	2	Bolt
8	185-2402	1	Bolt	19	130-6329	1	Thermostat
9	185-2106	1	Stud	20	193-0318	1	Sender, Water Temperature
10	800-6328	1	Bolt	21	502-1367-05	1	Connector, Hose
11	185-2367	1	Nut	22	518-0347	1	Sealant, Thread

## Thermostat Assy (Begin Spec C)



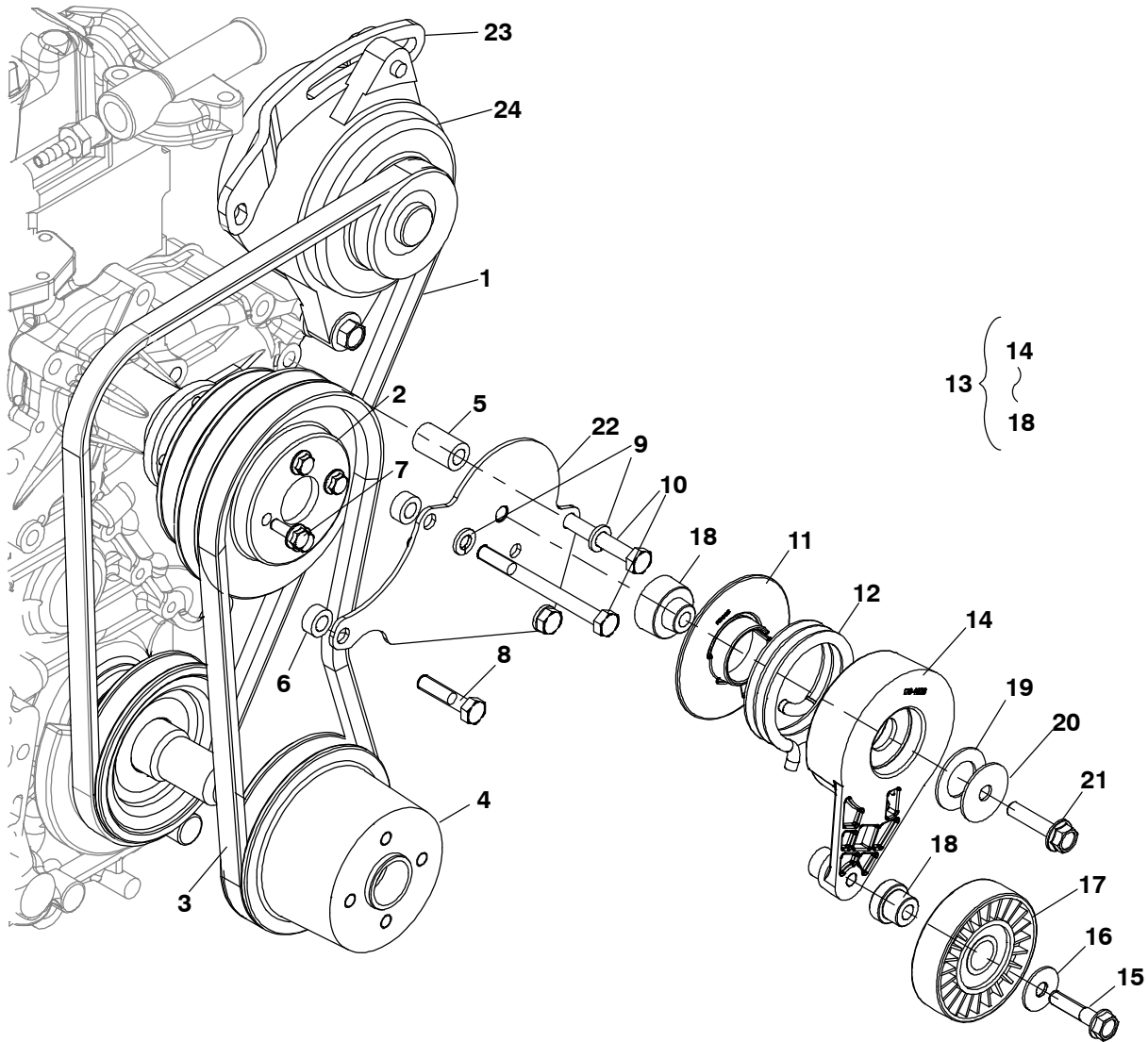
REF NO.	PART NO.	QTY USED	PART DESCRIPTION	REF NO.	PART NO.	QTY USED	PART DESCRIPTION
	130-6330	1	Comp, Flange Water (Includes Parts Marked * A and B)	10	503-2553	1	Pipe, Water Return
1	505-2252	1	*Plug	11	503-3135	1	Clamp, Hose
2	130-6331	1	*Flange, Water	12	503-2552	1	Clamp, Hose
3	800-6332	1	*Bolt, Flange	13	185-7298	1	Cover, Thermostat
4	185-5999	1	Gasket, Water Flange	14	185-2565	2	Bolt
5	185-2401	1	Bolt	15	130-6329	1	Thermostat
6	185-2106	1	Stud	16	193-0318	1	Sender, Water Temperature
7	800-6328	1	Bolt	17	502-1367-05	1	Connector, Hose
8	185-2367	1	Nut	18	185-6004	1	Gasket, Thermostat
9	185-6957	1	Washer, Spring				

## Pulley System



REF NO.	PART NO.	QTY USED	PART DESCRIPTION
1	512-0293	1	Pulley, Fan Drive
2	185-5905	1	Key, Feather

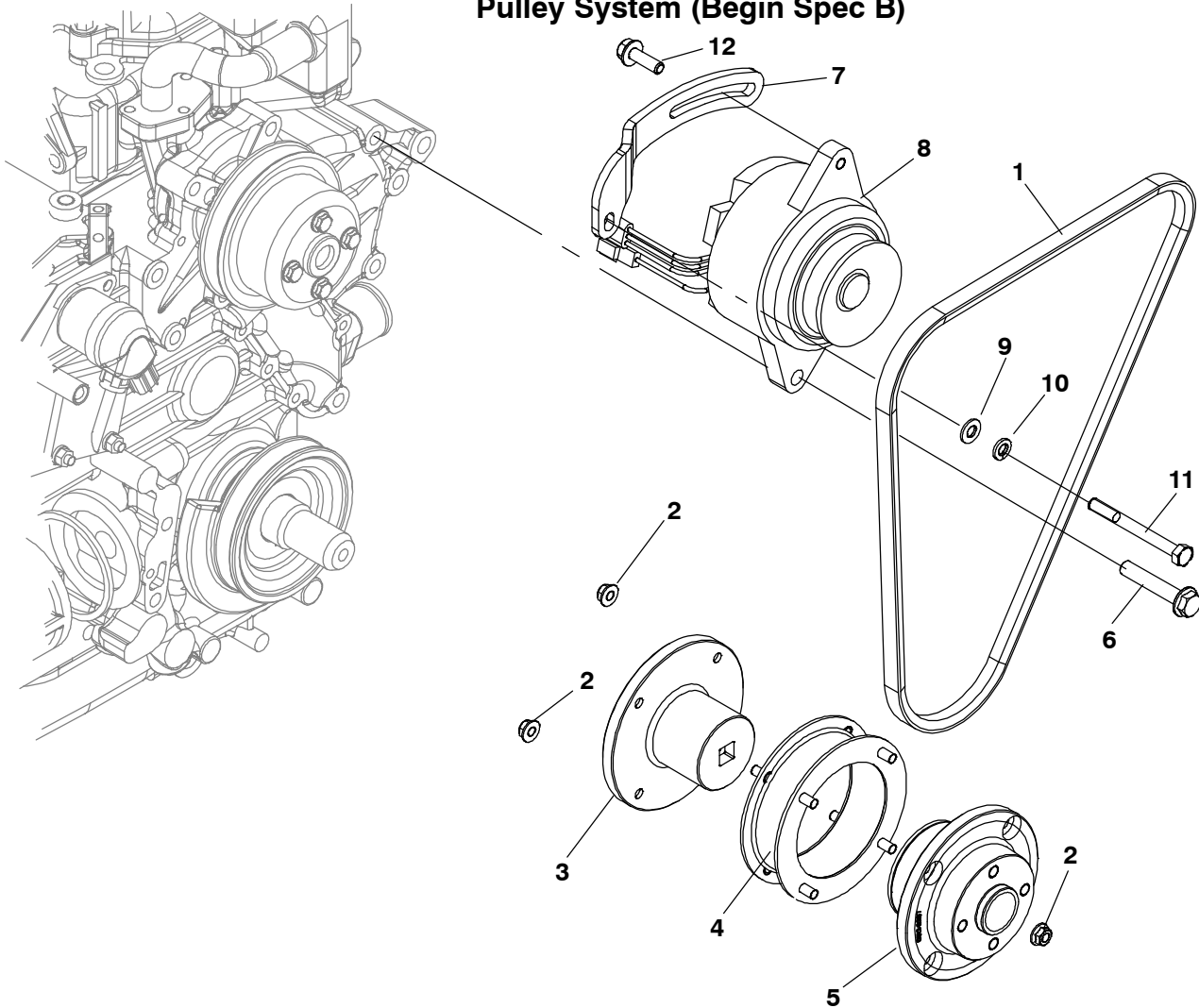
## Pulley System (Spec A)



REF NO.	PART NO.	QTY USED	PART DESCRIPTION	REF NO.	PART NO.	QTY USED	PART DESCRIPTION
1	511-0218	1	Belt, Drive	14	512-0316	1	*Arm, Tensioner
2	512-0276	1	Pulley, Water Pump	15	800-0052	1	*Screw, Thread Form (3/8-16 x 15")
3	511-0214	1	Belt, Drive	16	526-2120	1	*Washer, Flat (M10)
4	512-0279	1	Assy, Coupling	17	190-0758-S0	1	*Pulley, Tensioner
5	512-0287-02	2	Bushing, Tensioner	18	192-0451	2	Hub, Bearing Pulley
6	512-0287-01	2	Bushing, Tensioner	19	190-0759	1	Washer, Tensioner
7	821-2033	4	Screw, Locking Head Flange (M6 x 1 x16mm)	20	526-0461	1	Washer, Flat (M9 x 34mm)
8	718-1037	1	Screw, Hex Head Cap (M8 x 1.25 x 35mm)	21	815-0954-05	1	Screw, Flange Head Mach (M8 x 35mm)
9	850-2008	4	Washer, Locking Split (M8)	22	512-0283-02	1	Bracket, Tensioner
10	800-2072	2	Screw, Hex Head Cap (M8 x 1.25 x 100mm)	23	191-2378	1	Bracket, Alternator
11	190-0754	1	Bushing, Tensioner	24	191-2377	1	Alternator
12	190-0753	1	Spring, Tensioner				
13	541-1293	1	Assy, Tensioner Arm (Includes Parts Marked *)				

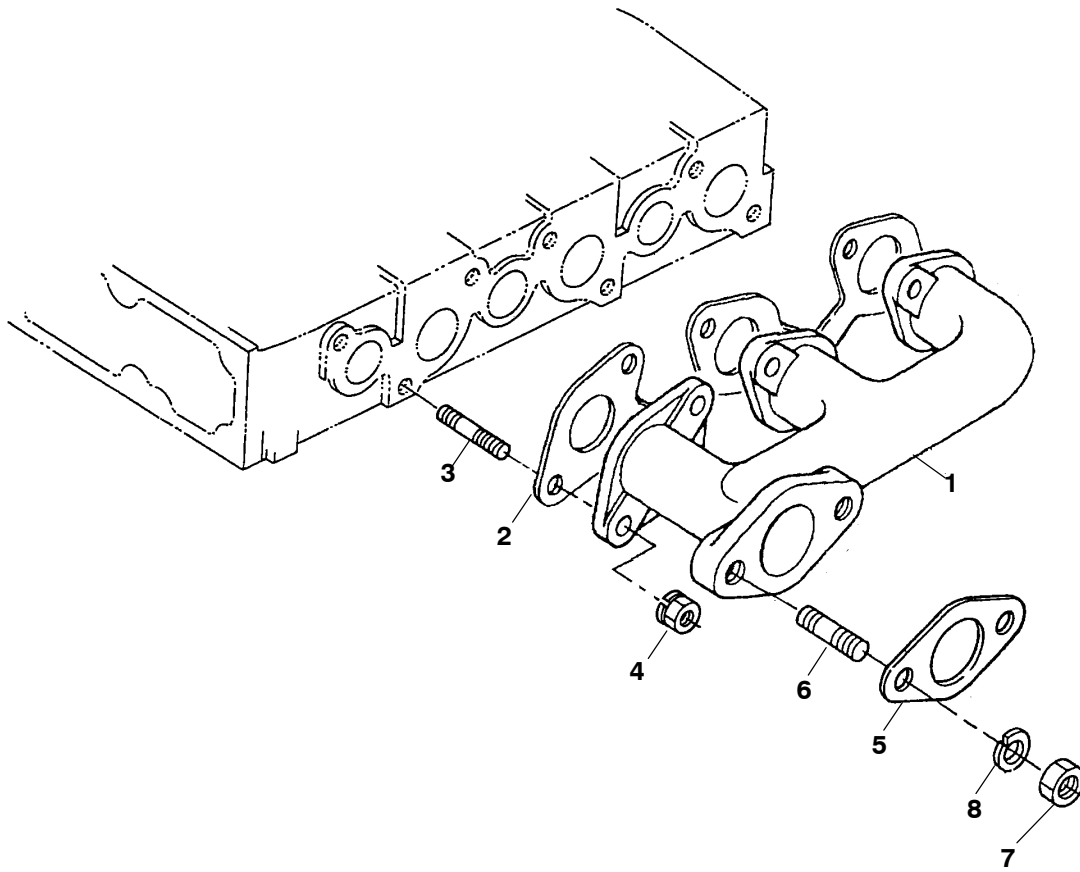
\* - Parts included in Tensioner Arm Assembly

## Pulley System (Begin Spec B)



REF NO.	PART NO.	QTY USED	PART DESCRIPTION
1	511-0218	1	Belt, Drive
2	870-2065-02	8	Nut, Hex Flange (M6)
3	512-0294	1	Hub, Coupling (Mach)
4	512-0274	1	Coupling, Assy
5	512-0302	1	Hub, Coupling (Assy)
6	821-2067	1	Screw, Locking Flange (M10 x 1.5 x 55mm)
7	191-2380-02	1	Bracket, Alternator
8	191-2379	1	Alternator
9	526-2100	1	Washer, Flat (M8)
10	850-2008	1	Washer, Lock Split (M8)
11	821-2067	1	Screw, Hex Head Cap (M8 x 1.25 x 80mm)
12	815-0954-03	1	Screw, Flange Head (M8 x 25mm)

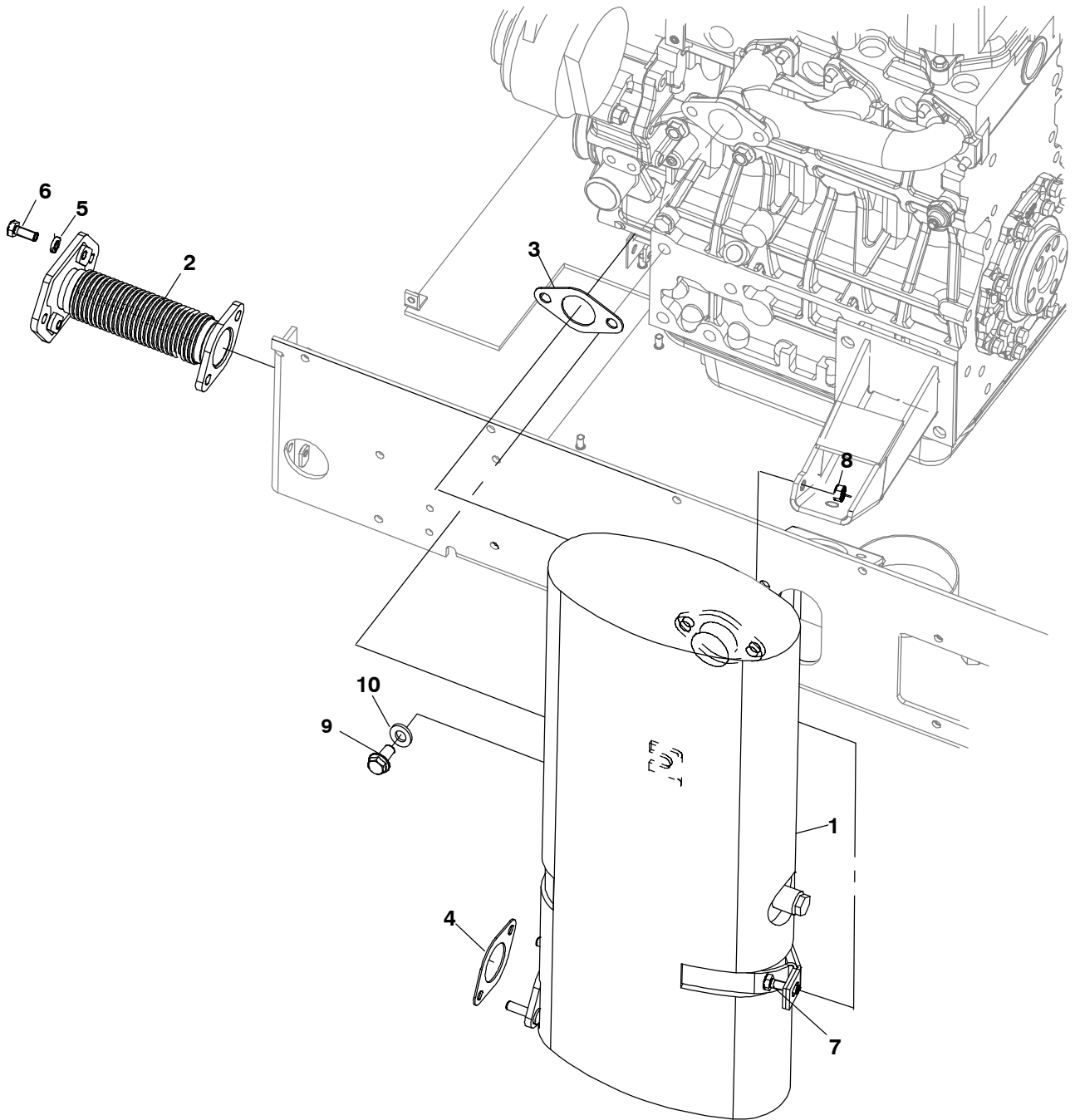
## Exhaust Manifold



REF NO.	PART NO.	QTY USED	PART DESCRIPTION	REF NO.	PART NO.	QTY USED	PART DESCRIPTION
1	154-3288	1	Manifold, Exhaust	6	520-2697	2	Stud
2	154-3189	1	Gasket, Exhaust Manifold	7	185-5445	2	Nut,
3	185-2106	6	Stud	8	185-6785	2	Washer, Plain
4	860-2136	6	Nut				
5	185-6848	1	Gasket, Exhaust Out				

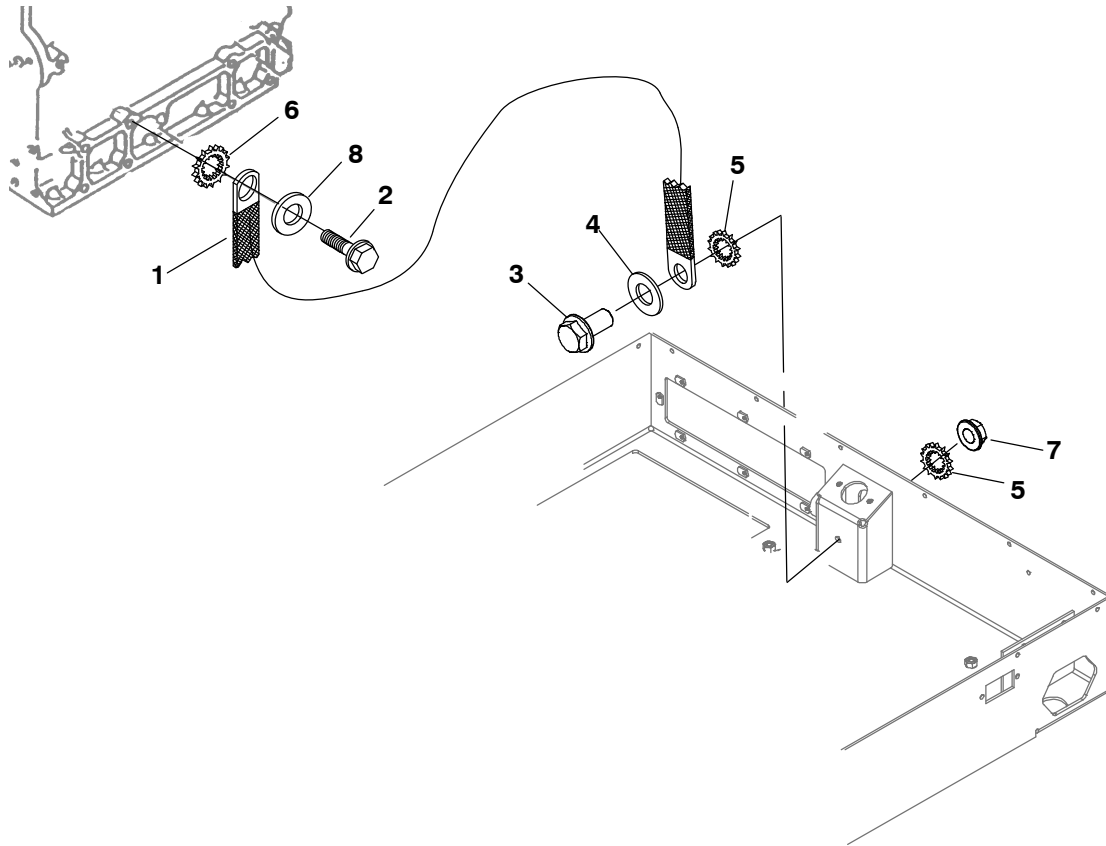


## Exhaust System



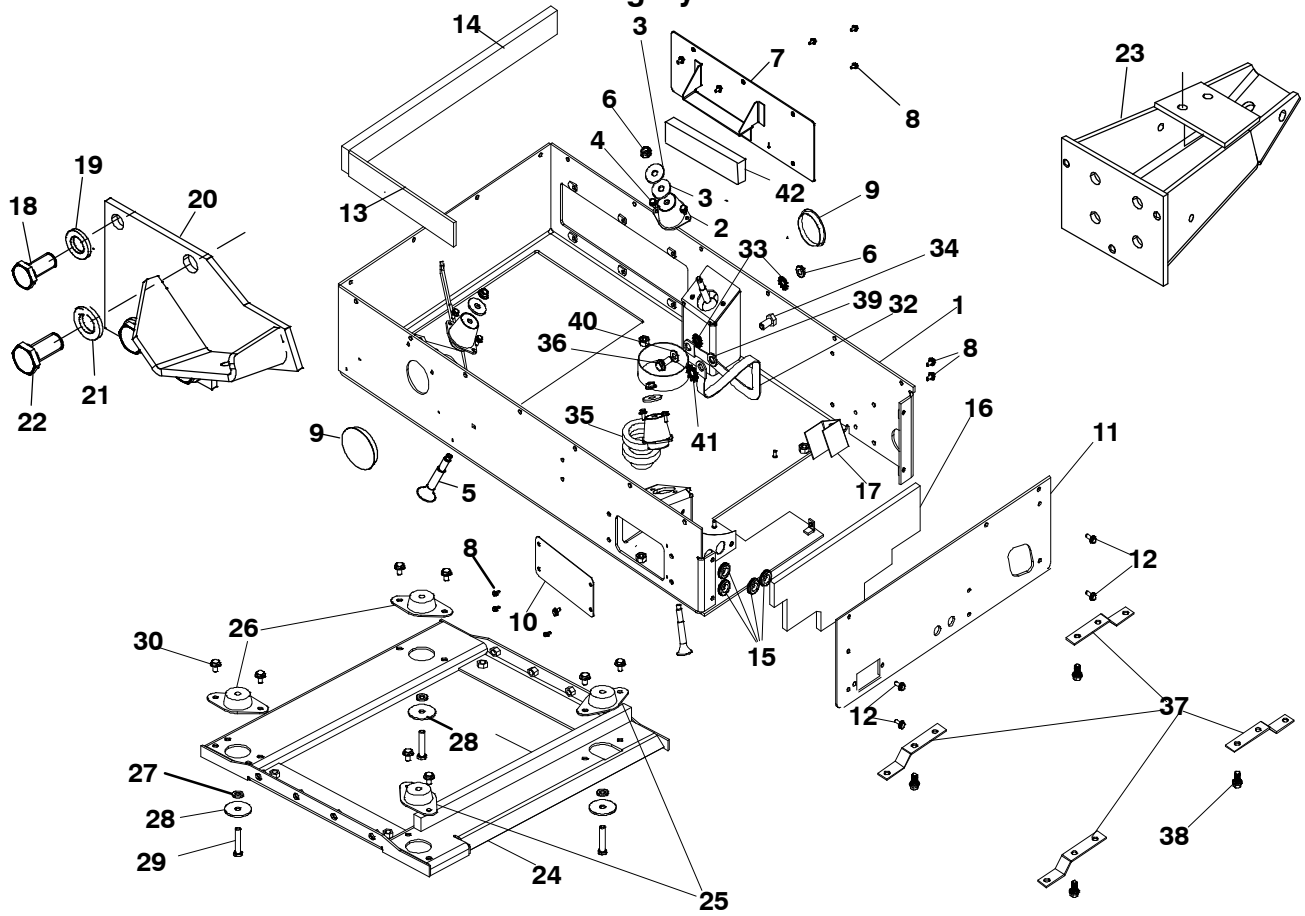
REF NO.	PART NO.	QTY USED	PART DESCRIPTION	REF NO.	PART NO.	QTY USED	PART DESCRIPTION
1	155-4662	1	Muffler	7	815-0954-03	1	Screw, Hex Flanged Head (M8 x 1.25 x 25mm)
2	154-3238	1	Pipe, Flex Exhaust	8	870-2055	1	Nut, Locking Flange Head (M8 x 1.25mm)
3	185-6848	1	Gasket, Exhaust Manifold	9	800-3033	1	Screw, Hex Head Cap (M12 x 1.25 x 25mm)
4	154-2800	1	Gasket, Exhaust Manifold	10	526-0399-64	1	Washer, Flat
5	850-2008	2	Washer, Split Locking (M8)				
6	725-1051	4	Screw, Hex Head Cap (M8 x 1.25 x 20mm)				

## Ground System



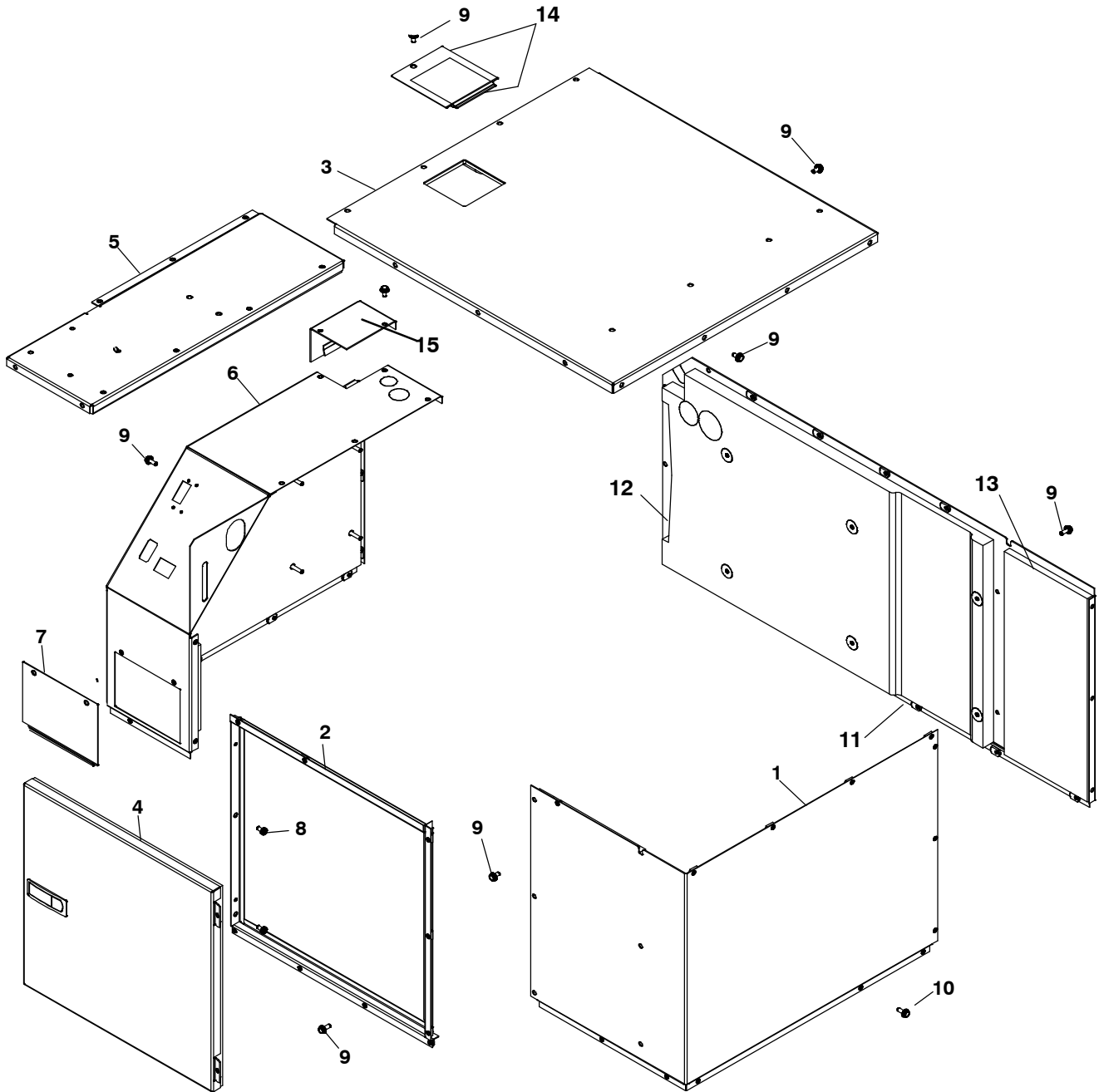
REF NO.	PART NO.	QTY USED	PART DESCRIPTION	REF NO.	PART NO.	QTY USED	PART DESCRIPTION
1	337-0090	1	Strap, Electrical	5	856-0010	2	Washer, EIT Locking
2	800-3031	1	Screw, Hex Head Cap (M12 x 1.25 x 20mm)	6	856-0013	1	Washer, EIT Locking
3	821-2061	1	Screw, Locking Head Flange (M10 x 25mm)	7	870-2056	1	Nut, Locking Flange (M10 x 1.5mm)
4	526-2120	1	Washer, Flat (M10)	8	526-2140	1	Washer, Flat (M12)

## Mounting System



REF NO.	PART NO.	QTY USED	PART DESCRIPTION	REF NO.	PART NO.	QTY USED	PART DESCRIPTION
1	403-6072-02	1	Assy, Drip Pan	24	403-5552-02	1	Assy, Frame
2	402-0680-02	3	Isolator, Engine	25	402-0728-01	2	(Secondary Mount) Isolator, Vibration
3	526-0014	4	*Washer, Flat (7/16")	26	402-0728-02	2	Isolator, Vibration
4	821-2096-02	6	Screw, Locking Head (M6 x 1 x 12mm)	27	526-0174	4	Washer, Flat (3/8")
5	815-0861	3	Screw, Isolator Mount	28	526-0324	4	Washer, Flat (3/8")
6	870-2056	4	Nut, Lock Flange (M10 x 1.5mm)	29	800-0055	4	Screw, Hex Head Cap (M16 x 1.5mm)
7	403-5519-02	1	Mounting, Radiator	30	821-2045	8	Screw, Locking Flange (M8 x 16mm)
8	821-2096-02	12	Screw, Locking Flange (M6 x 1 x 12mm)	31	405-8519	1	Seal, Pan (Not Shown)
9	517-0138-09	1	Plug, Hole	32	337-0090	1	Strap, Electrical
10	149-2734-02	1	Cover, Fuel Pump	33	856-0010	2	Washer, EIT Lock
11	403-5520-02	1	End, Cap Skid	34	800-3031	1	Screw, Hex Head Cap (M12 x 1.25 x 20mm)
12	821-2096-03	4	Screw, Locking Flange (M6x 1 x 16mm)	35	403-3859	2	Seal, Oil Drain
13	A041A768	1	Seal, Radiator	36	821-2061	1	Screw, Locking Head Flange (M10 x 25mm)
14	130-6250	1	Seal, Radiator	37	414-1898	4	Bracket, Shipping
15	508-0071	4	Grommet, Rubber	38	821-0029	4	Screw, Locking Head (M16 x 0.75mm)
16	405-8284	1	Insulation, Outlet	39	526-2140	1	Washer, Flat (M12)
17	134-5341-02	1	Vane, Air	40	526-2120	1	Washer, Flat (M10)
18	800-3004	1	Screw, Hex Head Cap (M10 x 1.25 x 20mm)	41	856-0013	1	Washer, EIT Lock
19	526-2120	1	Washer, Flat (M10)	42	A041A770	1	Seal, Radiator
20	403-5359-02	1	Bracket, Engine (Front Assy)				
21	526-0399-64	8	Washer, Flat (M12)				
22	800-3033	8	Screw, Hex Head Cap (M12 x 1.25 x 25mm)				
23	403-5356-02	1	Bracket, Engine (Back Assy)				

# Housing

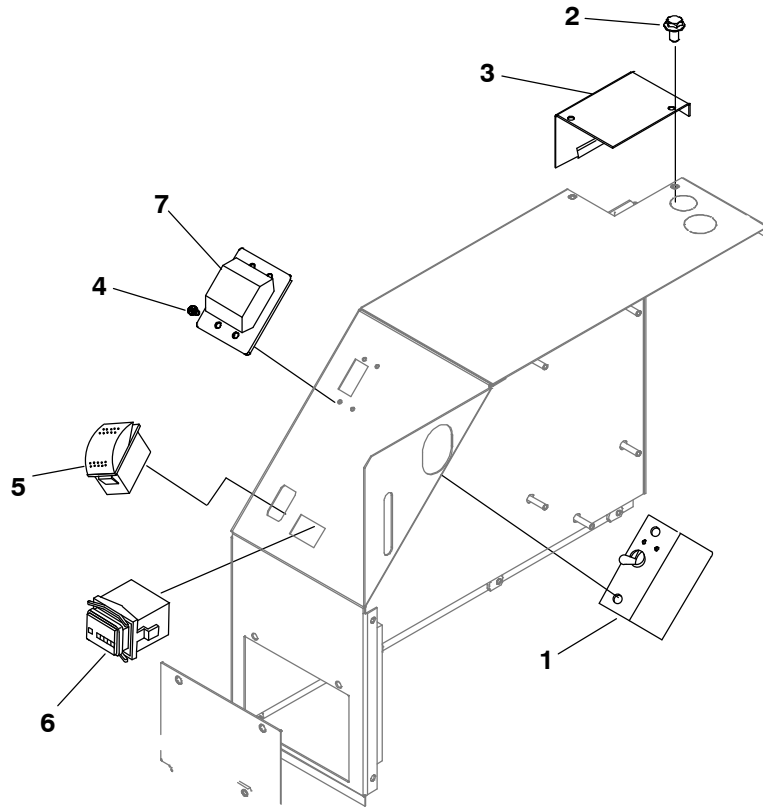


REF NO.	PART NO.	QTY USED	PART DESCRIPTION
1	405-8252	1	Panel, Enclosure
2	405-8352-02	1	Frame, Door
3	405-9821	1	Panel, Enclosure
4	405-5895-01	1	Assy, Door (Includes Latches and Insulation)
5	405-9822	1	Panel, Enclosure (Top)
6	405-8294	1	Panel, End Cap
7	212-1308-02	1	Cover, Brush Block
8	823-1002-01	2	Screw, Pan Head Mach (Torx M6 x 1 x 12mm)
9	800-6497-01	43	Screw, Locking Flange (M6 x 1 12mm)

REF NO.	PART NO.	QTY USED	PART DESCRIPTION
10	800-6497-02	20	Screw, Locking Flange (M6 x 1 12mm)
11	405-8249-02	1	Panel, Enclosure
12	405-8250	1	Panel, Insulation
13	405-9147	1	Panel, Insulation
14	405-8721-02	1	Panel, Access (Includes these parts)
	405-8722		Insulation, Cover
15	405-5380-05	1	Cover, AC

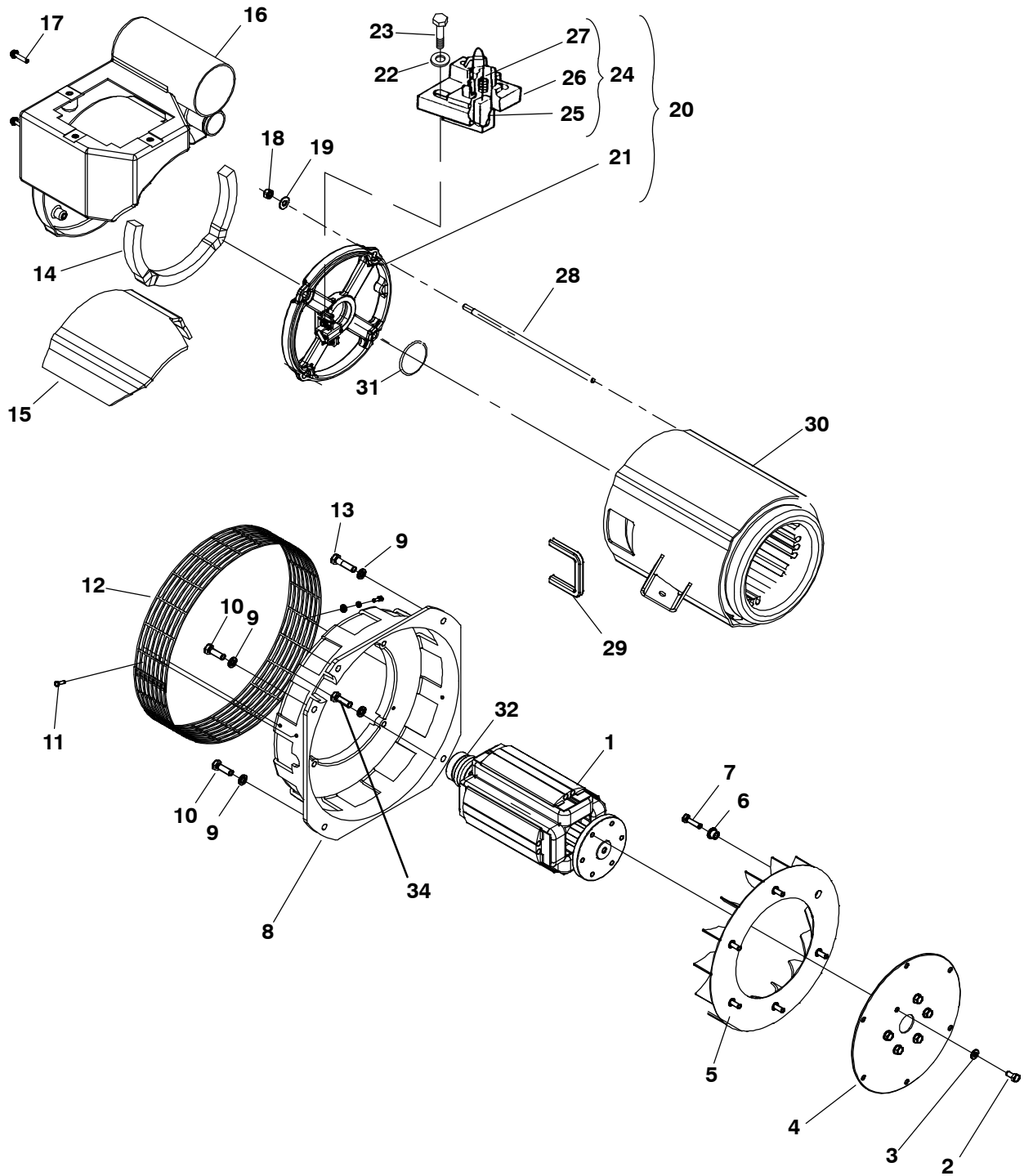
\* - All Panels Include Insulation and Push-Ons.

## Housing End Cap



REF NO.	PART NO.	QTY USED	PART DESCRIPTION	REF NO.	PART NO.	QTY USED	PART DESCRIPTION
1			Breaker, Circuit	4	815-0549	4	Screw, Pan Head
	320-2441-02	1	45A (HDKCC, HDKCG)				(6-32 x .25")
	320-2441-01	1	35A (HDKCC, HDKCG)	5	308-1038	1	Switch, Rocker
	320-2441-03	1	50A (HDKCD)	6	302-2002	1	Meter, Hour
2	821-2096-02	2	Screw, Lock Flange	7	320-1951-01	1	Boot, Circuit Breaker
3	405-5380-05	1	Cover, AC				

# Generator



## Generator

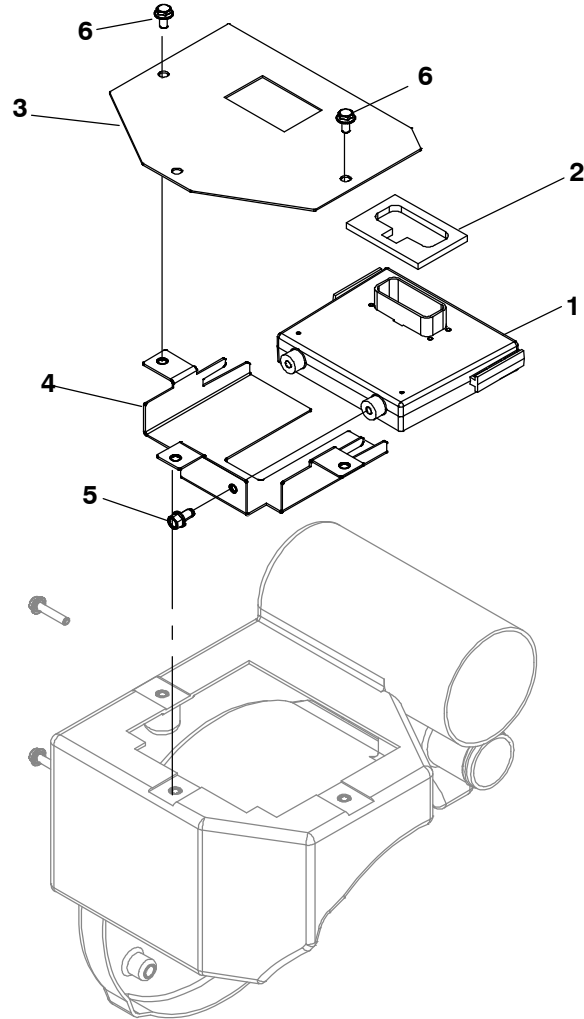
REF NO.	PART NO.	QTY USED	PART DESCRIPTION	REF NO.	PART NO.	QTY USED	PART DESCRIPTION
1	201-3549-03	1	Rotor, Generator HDKCC (142mm, 50Hz) (Order Generator A053R080)	22	526-0399-56	2	#Washer, Flat (M5)
	201-3506-S4	1	HDKCC, HDKCD, HDKCG (178mm 60Hz) (Order Generator A053L502)	23	800-0309-89	2	#Screw, Hex Head Machine (M5 x 0.8 x 16)
2	800-2056	6	Screw, Hex Head Cap (M8 x 1.25 x 16mm)	24	212-1285	1	#Block Assy, Generator Brush (Includes Parts Marked >)
3	526-2100	6	Washer, Flat (M8)	25	212-1286-S0	1	>Block, Brush
4	232-4145	1	Disc, Generator Drive Begin Spec B	26	214-0103	2	>Brush, Generator
5	205-0220	1	Fan, Generator	27	212-1276-03	2	>Spring, Generator Brush Stud
6	232-3296	6	Spacer, Fan	28	520-1000-03	4	HDKCC, HDCKCG (142mm)
7	800-2515	6	Screw, Hex Head Cap (M8 x 1.25 x 30mm)		520-1000-04	4	HDKCD(178mm)
8	231-0347	1	Adapter, Generator	29	508-0239	1	Edging
9	850-2010	4	Washer, Lock (M10)	30			Stator, Generator Spec A-D
10	718-1055	3	Screw, Hex Head Cap (M10 x 30mm)		220-4649-08	1	HDKCC (142mm, 50Hz 120/240)
11	821-0004	3	Screw, Hex Head Cap (M5 x 14mm)		220-4649-09	1	HDKCC (142mm, 50Hz 230Vac Spec 6881C) (Order Generator A053R080)
12	232-3755-02	1	Guard, Fan		220-4649-01	1	HDKCC, HDKCD, HDKCG (178mm, 60Hz) (Order Generator A053L502)
13	800-2089	1	Screw, Hex Head Cap (M10 x 1.5 x 40mm)	31			O'Ring
14	405-7774	1	Insulation Cover (Endbell)		509-0196	1	Spec A
15	405-7773	1	Insulation Cover (Generator)		509-0420	1	Begin Spec B
16	234-1020	1	Cover, Generator Intake	34	800-2087	3	Screw, Hex Head Cap (M10 x 1.5 x 30mm)
17	821-2096-06	4	Screw, Locking Flange (M6 x 30mm)	32	510-0217	1	Bearing Generator
18	862-0003	4	Nut, Hex (3/8-16)				
19	526-0029	4	Washer, Flat (3/8")				
20	211-0485-01	1	Endbell Assy (Includes Parts Marked #)				
21			#End, Bell Generator				
	211-0447-01	1	Spec A				
	211-0485-01	1	Begin Spec B				

\* - 524-0118 - Generator Lube

# - Parts Included in Endbell Assy.

> - Parts Included in Generator Brush Block Assy.

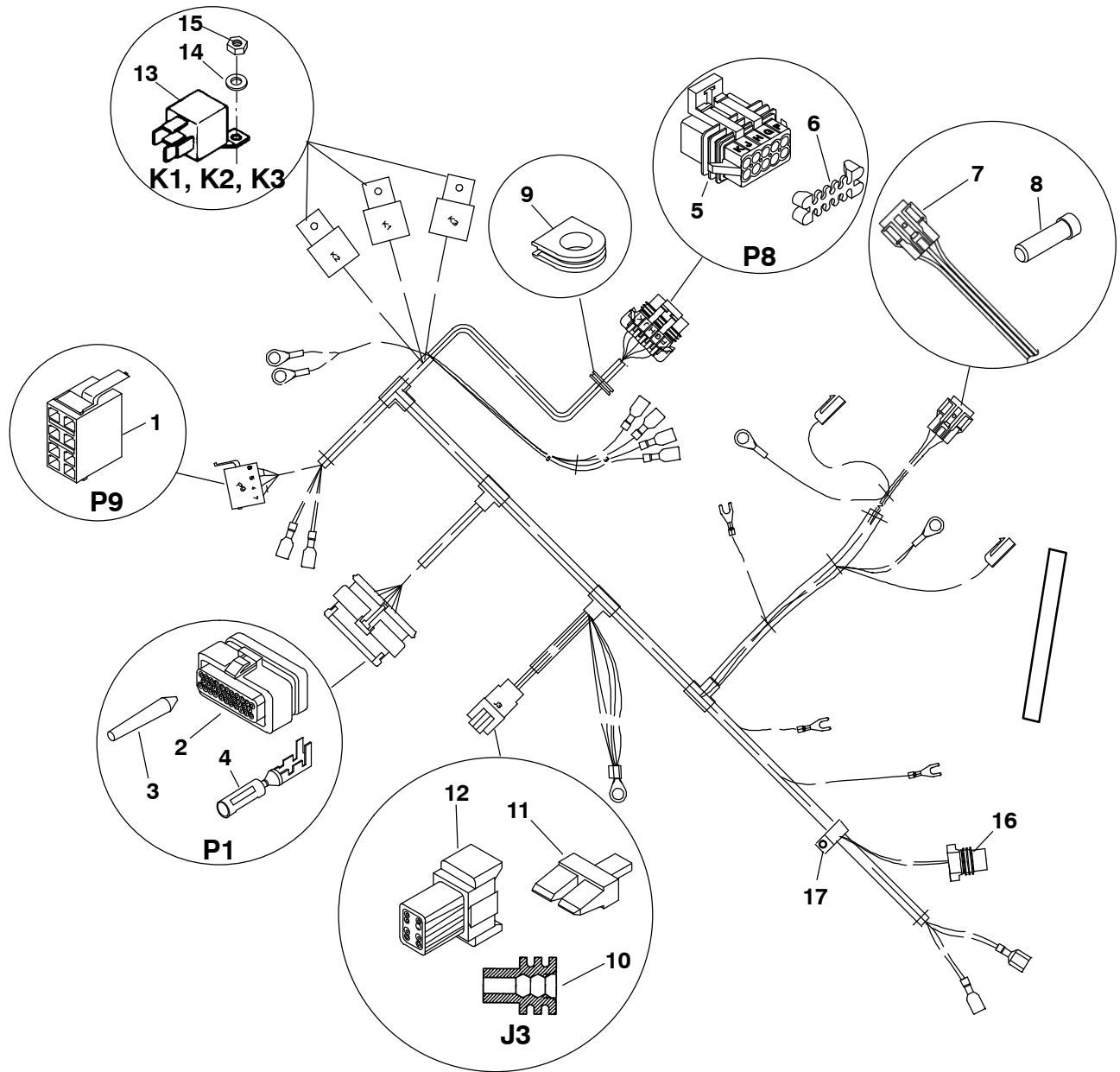
## Control



REF NO.	PART NO.	QTY USED	PART DESCRIPTION	REF NO.	PART NO.	QTY USED	PART DESCRIPTION
1	300-5961	1	PCB (Control)	5	815-0943-02	1	Screw, Hex Thread Form
2	405-7808	1	Insulation, Cover Plug	6	821-2096-02	3	Screw, Locking Flange (M6 x 12mm)
3	319-5200-03	1	Cover, Control (Generator Intake)				
4	319-5199-03	1	Bracket, Control				

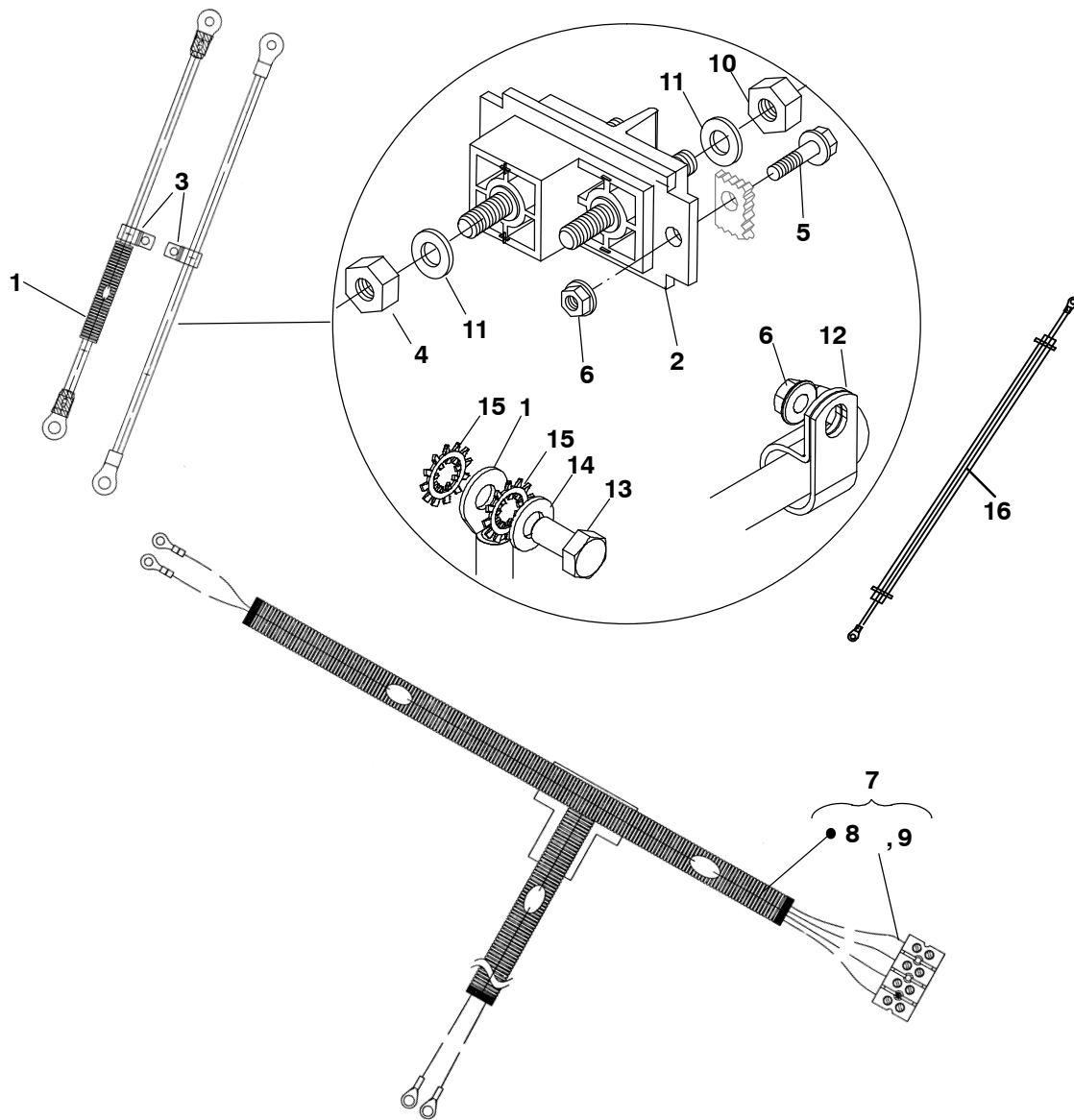


# Engine Harness



REF NO.	PART NO.	QTY USED	PART DESCRIPTION	REF NO.	PART NO.	QTY USED	PART DESCRIPTION
	338-4461	1	Harness, Engine	9	508-1105	1	Grommet
	338-4856	1	Harness, Engine	10	323-1708	AR	Seal, Cable
1	308-1019	1	Connector, Switch (P9)	11	323-1543	1	Wedge (J3)
2	323-1819-01	1	Connector, Plug (35 Pin) (P1)	12	323-1541	1	Connector (8 Pin) (J3)
3	323-1615	5	Plug, Cavity (P1)	13	A040G405	3	Relay (K1 and K2)
4	323-1614-01	AR	Socket, Terminal (P1)	14	526-0003	3	Washer
5	323-1711	1	Connector, Plug (10Pin) (P8)	15	860-2005	3	Nut, Lock Flange (M4 x 1)
6	323-1719	1	Lock, Housing	16	323-2166	1	Connector, Receptacle
7	323-1773	AR	Connector, Alt	17	332-1356	2	Clamp, Loop
8	323-1591	2	Plug, Cavity	18	898-1196-33	1	Sleeving, Convoluted

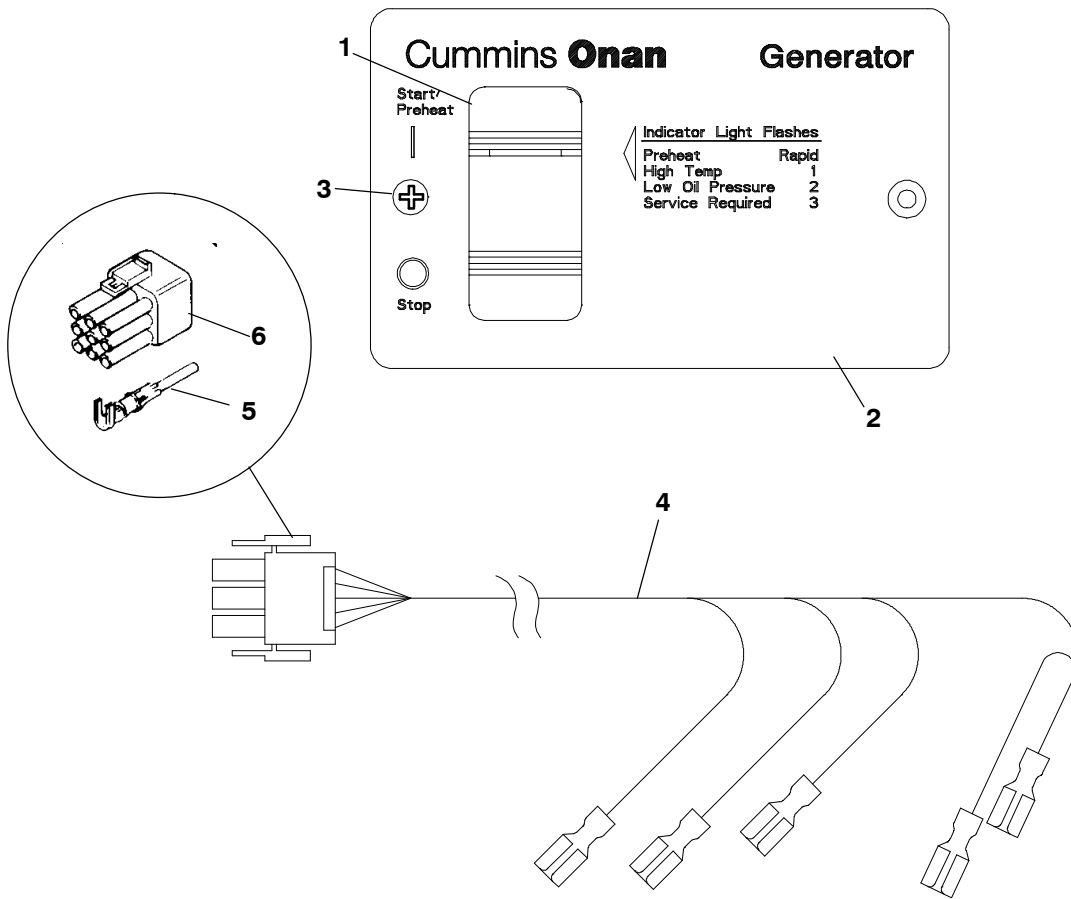
## Battery/AC Harness



REF NO.	PART NO.	QTY USED	PART DESCRIPTION	REF NO.	PART NO.	QTY USED	PART DESCRIPTION
1	338-4498	1	Harness, Wiring (Includes Parts Marked *)	10	871-0025	2	Nut, Hex Brass (5/16-18)
2	332-3408	1	*Block, Terminal (TB1)	11	526-0054	4	Washer, Flat (5/16")
3	332-1554	2	*Clamp, Insulated Loop	12	332-1356	1	Clamp, Insulated Loop
4	862-0015	2	*Nut, Hex (5/16-18)	13	800-3004	1	Screw, Hex Head (M10 x 1.25 x 20mm)
5	821-2096-03	2	Screw, Lock Flange (M6 x 1 x 16mm)	14	526-2120	1	Washer, Flat
6	870-2054	3	Nut, Lock Flange (M6 x 1)	15	856-0010	2	Washer, Eit
7	338-5008	1	Harness, AC (Includes AC Terminal Block)	16	338-5009	1	Harness, Jumper
8	332-3531-03	1	Block, AC Terminal (TB2)				
9	812-0070	2	Screw, Round Head Machine (6-32 x 1-1/4")				

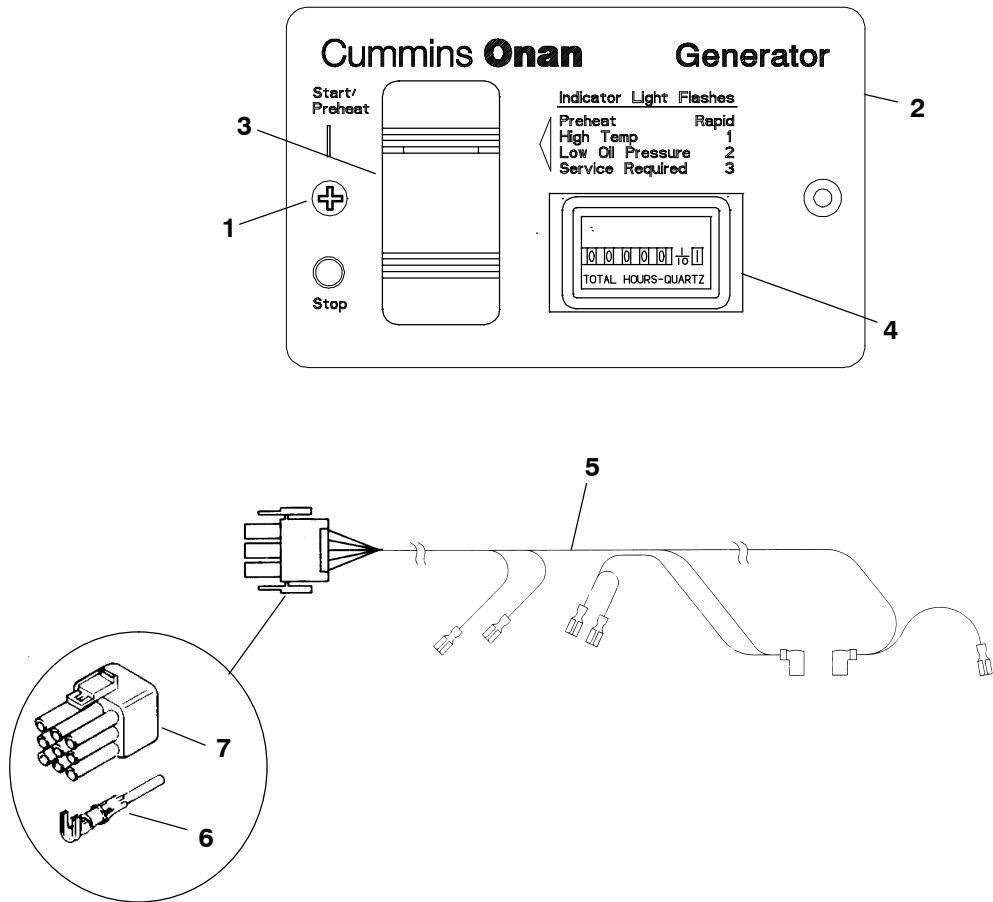
\* - Parts Included in Battery Wiring Harness.

## Remote Control Panel



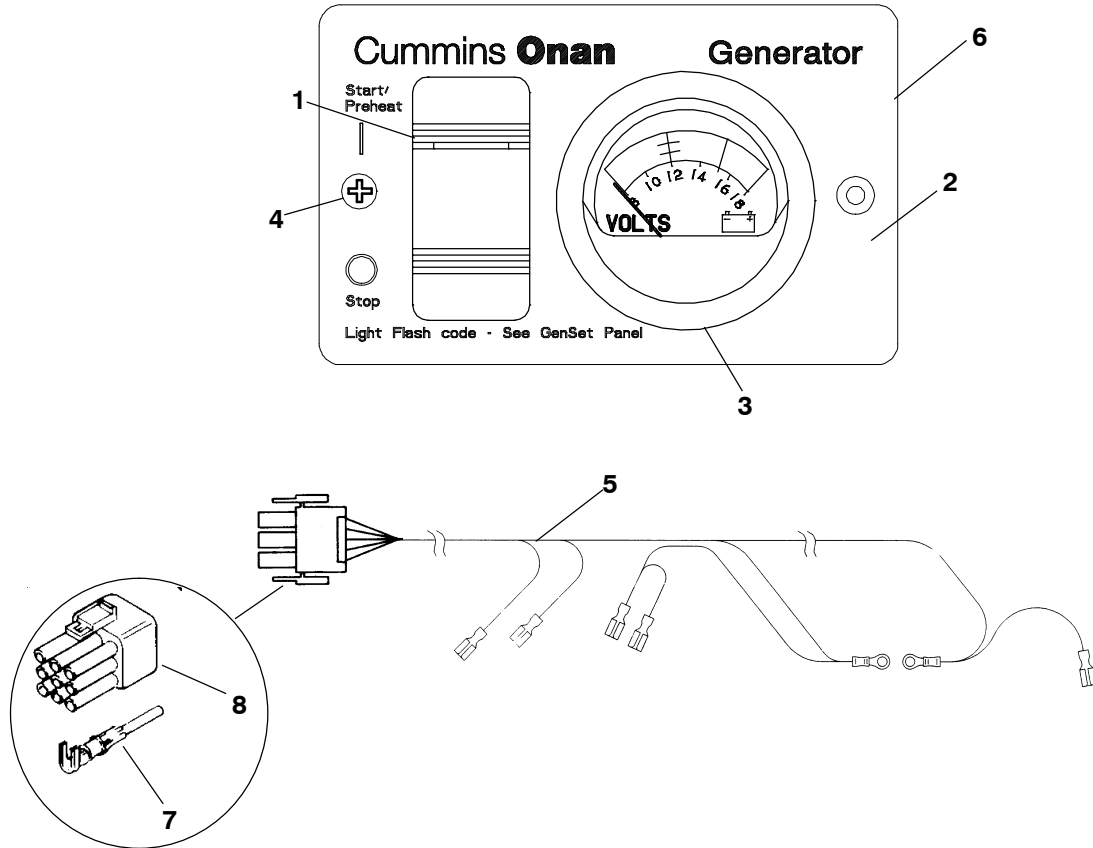
REF NO.	PART NO.	QTY USED	PART DESCRIPTION	REF NO.	PART NO.	QTY USED	PART DESCRIPTION
	300-4942	1	Kit, Remote Panel	4	338-3812	1	Harness, Remote Panel
1	308-1062	1	Switch, Rocker (S11)	5	323-1199	4	Pin, Contact
2	319-6988-01	1	Panel, Remote (Includes Label)	6	323-1291	1	Plug (9 Pin)
3	815-0910	2	Screw, Wood (#6 x 1)				

## Remote Switch/Hourmeter Panel



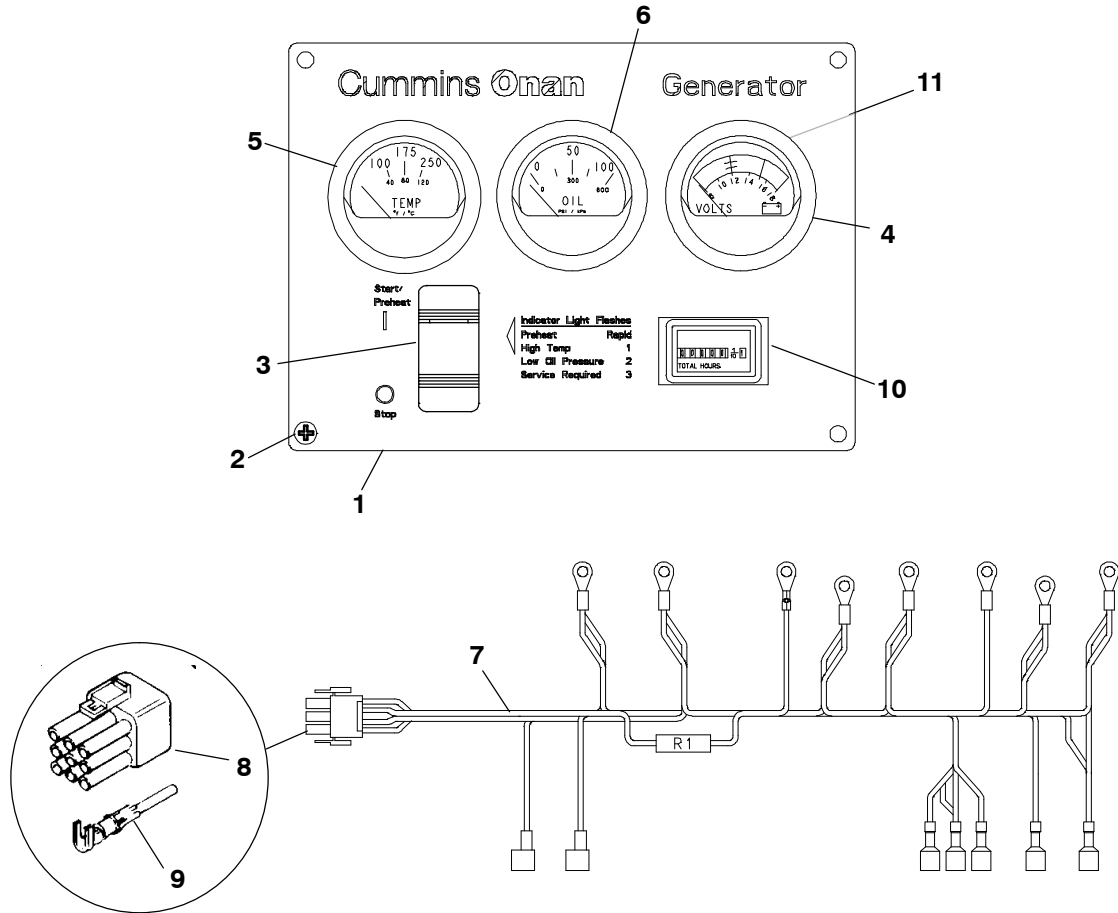
REF NO.	PART NO.	QTY USED	PART DESCRIPTION	REF NO.	PART NO.	QTY USED	PART DESCRIPTION
	300-4943	1	Kit, Switch/Hourmeter Remote Panel	4	302-2002	1	Hourmeter
1	815-0910	2	Screw, Wood Mounting (#6 x 1)	5	338-3475	1	Harness, Remote Panel (Includes Pins and Plug)
2	319-6988-02	1	Panel, Printed	6	323-1199	4	Pin, Contact
3	308-1062	1	Switch, Rocker	7	323-1291	1	Plug (9 Pin)

## Remote Switch/Voltmeter Panel



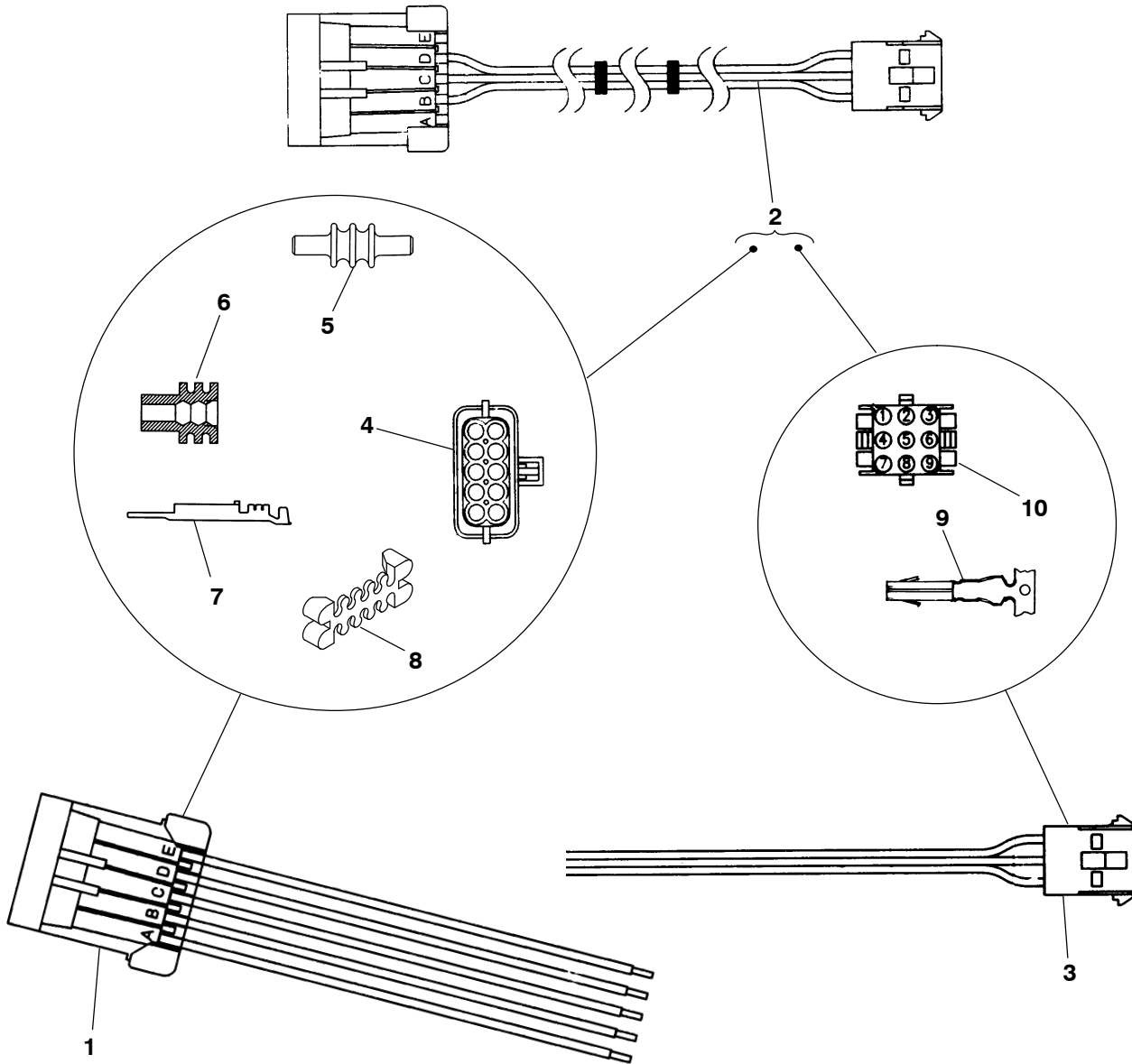
REF NO.	PART NO.	QTY USED	PART DESCRIPTION	REF NO.	PART NO.	QTY USED	PART DESCRIPTION
	300-4944	1	Kit, Remote Switch/Voltmeter Panel	6			Hardware, Meter Mounting
1	308-1062	1	Switch, Rocker	526-0409	2	2	Washer, Nylon (3/16")
2	319-6989-03	1	Panel, Printed	526-0049	4	4	Washer, Flat (#10)
3	302-1641	1	Meter, Voltage	871-0010	4	4	Nut, Hex Brass Machine (#10-32)
4	815-0910	2	Screw, Wood Mounting (#6 x 1)	850-0030	2	2	Washer, Lock (#10)
5	338-3509	1	Harness, Remote Panel (Includes Pins and Plug)	7	323-1199	4	Pin, Contact
				8	323-1291	1	Plug (9 Pin)

## Remote Gauge Panel



REF NO.	PART NO.	QTY USED	PART DESCRIPTION	REF NO.	PART NO.	QTY USED	PART DESCRIPTION
	300-5027	1	Kit, Remote Gauge Panel	8	323-1291	1	Plug (9 Pin)
1	319-6993	1	Panel, w /Decal	9	323-1199	8	Pin, Contact
2	808-0023	4	Screw, Pan Head Sheet Metal Mounting (#8 x 1/2")	10	302-2002	1	Hourmeter
3	308-1062	1	Switch, Rocker (SPDT)	11			Hardware, Meter Mounting
4	302-1641	1	Meter, Voltage	526-0409		8	Washer, Nylon (3/16")
5	193-0351	1	Gauge, Water Temperature	526-0049		16	Washer, Flat (#10)
6	193-0352	1	Gauge, Oil Pressure	871-0010		16	Nut, Hex Brass Machine (#10-32)
7	338-3637	1	Harness, Remote Panel (Includes Plug and Pins)	850-0030		8	Washer, Lock (#10)

## Remote Harnesses



REF NO.	PART NO.	QTY USED	PART DESCRIPTION
1	300-4947	1	Harness, Remote (Includes Parts Marked *)
2			Harness, Remote Panel (Includes Parts Marked +)
	338-3490-01	1	10'
	338-3490-02	1	30'
3	338-3573	1	Harness, Adapter (Includes Parts Marked #)
4	323-1710	1	+*Connector, Receptacle
5	323-1712	2	+*Plug, Cavity

REF NO.	PART NO.	QTY USED	PART DESCRIPTION
6	323-1708	8	+*Seal, Cable
7	323-1707	8	+*Pin, Contact
8	323-1719	1	+*Housing, Lock
9	323-1200	AR	+ #Socket, Contact
10	323-1325	1	+ #Cap, Connector*

- Parts Included in Remote Harness (300-4947).
- + - Parts Included in Remote Panel Harness (338-3490).
- # - Parts Included in Adapter Harness (338-3573).

## Labels, Miscellaneous

REF NO.	PART NO.	QTY USED	PART DESCRIPTION	REF NO.	PART NO.	QTY USED	PART DESCRIPTION
98-7906		1	Label, Unit ID	98-8192-01		1	Label, Information (Breaker 45 AMP)
98-8190		1	Label, Packaged (Includes Parts Marked +)				<b>12kW</b>
543-0018-02		1	+Label, Ground	98-7924-03		2	Label, Model Ident (12000)
98-7497-01		1	+Label, Warning Install	98-8192-02		1	Label, Information (Breaker 50 AMP)
98-7476		1	+Label, Coolant Level	A030E718		1	Label, Package (50Hz CE)
98-7244		1	+Label, Warning Multiple	098-6877		1	Label, Coolant Level
98-7498-02		1	+Label, Warning Voltage	098-8732-02		1	Label, Information (Lifting Eye)
98-8191		1	Label, Information (Control)	98-8738-01		1	Label, Information
98-8385		1	Label, Information (Control)	98-8099		1	Label, Danger
98-8755		1	Label, Logo	A030E224		1	Label, Package (60Hz CE)
98-8718		1	Label, Logo	098-6877		1	Label, Coolant Level
98-8720		1	Label, Logo	098-8732-02		1	Label, Information (Lifting Eye)
98-8720		1	Label, Logo	098-8099		1	Label, Danger
98-8385		1	Label, Information (Control)				
98-8192-03		1	Label, Information (Breaker 35 AMP)				
			<b>10kW</b>				
98-7924-02		2	Label, Model Ident (10000)				



## Numerical Index

<u>Part No.</u>	<u>Page</u>	<u>Part No.</u>	<u>Page</u>	<u>Part No.</u>	<u>Page</u>	<u>Part No.</u>	<u>Page</u>
0508-1104, <b>39</b>		104-2035, <b>10</b>		122-0476, <b>25</b>		140-3050, <b>36</b>	
0800-6542, <b>27</b>		104-2036, <b>11</b>		122-0882, <b>25</b>		140-3071, <b>36</b>	
098-6877, <b>62</b>		104-2037, <b>11</b>		122-0883, <b>25</b>		140-3072, <b>36</b>	
098-7244, <b>62</b>		104-2038, <b>11</b>		122-0884, <b>25</b>		140-3519-01, <b>36</b>	
098-7476, <b>62</b>		104-2039, <b>10</b>		122-0886, <b>25</b>		147-0882, <b>33</b>	
098-7497-01, <b>62</b>		104-2040, <b>10</b>		122-0893, <b>25 , 26</b>		147-0892, <b>30 , 31</b>	
098-7498-02, <b>62</b>		104-2041, <b>11</b>		122-0914, <b>26</b>		147-0984, <b>33</b>	
098-7906, <b>62</b>		104-2042, <b>11</b>		122-0915, <b>26</b>		149-2513, <b>34</b>	
098-7924-02, <b>62</b>		104-2043, <b>11</b>		122-0916, <b>26</b>		149-2580-02, <b>34</b>	
098-7924-03, <b>62</b>		104-2044, <b>11</b>		122-0918, <b>26</b>		149-2726-02, <b>34</b>	
098-8099, <b>62</b>		104-2132, <b>21</b>		123-2240-03, <b>39</b>		149-2734-02, <b>49</b>	
098-8190, <b>62</b>		104-2172, <b>11</b>		123-2253, <b>24</b>		149-2790, <b>34</b>	
098-8191, <b>62</b>		105-0740, <b>33</b>		123-2254, <b>24</b>		150-2798, <b>33</b>	
098-8192-01, <b>62</b>		105-0741, <b>33</b>		123-2261, <b>13</b>		150-2800, <b>33</b>	
098-8192-02, <b>62</b>		105-0742, <b>12</b>		123-2262, <b>23</b>		150-2805, <b>16 , 17</b>	
098-8192-03, <b>62</b>		105-0773, <b>33</b>		123-2263, <b>13</b>		150-2836, <b>16 , 17</b>	
098-8385, <b>62</b>		105-0775, <b>12</b>		123-2264, <b>13</b>		150-2837, <b>33</b>	
098-8718, <b>62</b>		110-3948, <b>14</b>		123-2265, <b>23</b>		150-2838, <b>33</b>	
098-8720, <b>62</b>		110-3949, <b>13</b>		123-2266, <b>13</b>		150-2839, <b>33</b>	
098-8732-02, <b>62</b>		110-3952, <b>9</b>		130-1872, <b>37</b>		150-2840, <b>15</b>	
098-8738-01, <b>62</b>		110-3953, <b>13</b>		130-4320, <b>39</b>		150-2842, <b>16</b>	
098-8755, <b>62</b>		110-3954, <b>9</b>		130-4321, <b>39</b>		150-2843, <b>17 , 18</b>	
100-4113, <b>8</b>		110-3987, <b>9</b>		130-4450-02, <b>39</b>		150-2844, <b>19</b>	
101-0836, <b>10</b>		110-4114, <b>9</b>		130-4748, <b>37</b>		150-2847, <b>16</b>	
101-0837, <b>30 , 31</b>		110-4116, <b>9</b>		130-6171, <b>39</b>		150-2848, <b>33</b>	
101-0871, <b>15</b>		110-4117, <b>9</b>		130-6247, <b>39</b>		150-2851, <b>16</b>	
102-1523, <b>27</b>		110-4118, <b>9</b>		130-6248, <b>39</b>		150-2853, <b>19</b>	
102-1572, <b>27</b>		110-4119, <b>9</b>		130-6250, <b>49</b>		150-2993, <b>33</b>	
102-1574, <b>27</b>		110-4120, <b>9</b>		130-6329, <b>41 , 42</b>		152-0373, <b>30</b>	
103-0832, <b>20</b>		110-4122, <b>14</b>		130-6330, <b>41 , 42</b>		152-0379, <b>15</b>	
103-0833, <b>20</b>		110-4123, <b>14</b>		130-6331, <b>41 , 42</b>		152-0380, <b>15</b>	
103-0865, <b>19</b>		112-0298, <b>11</b>		130-6333, <b>41</b>		154-2800, <b>47</b>	
104-2020, <b>21</b>		112-0299, <b>11</b>		130-6347, <b>40</b>		154-3188, <b>35</b>	
104-2022, <b>21</b>		112-0339, <b>11</b>		132-0444, <b>40</b>		154-3189, <b>46</b>	
104-2029, <b>10</b>		112-0340, <b>11</b>		132-0446, <b>40</b>		154-3238, <b>47</b>	
104-2030, <b>11</b>		112-0341, <b>11</b>		132-0447, <b>40</b>		154-3288, <b>46</b>	
104-2031, <b>10</b>		115-0509, <b>14</b>		132-0448, <b>40</b>		154-3289, <b>35</b>	
104-2032, <b>10</b>		120-1354, <b>12</b>		132-0449, <b>20</b>		155-4662, <b>47</b>	
104-2033, <b>11</b>		120-1388-02, <b>26</b>		134-5341-02, <b>49</b>		181-9034, <b>15 , 18</b>	
104-2034, <b>11</b>		120-1399, <b>29</b>		134-5393, <b>13</b>		181-9231, <b>23</b>	

## Numerical Index

<u>Part No.</u>	<u>Page</u>	<u>Part No.</u>	<u>Page</u>	<u>Part No.</u>	<u>Page</u>	<u>Part No.</u>	<u>Page</u>
181-9238,	13	185-5365,	32	185-5405,	32	185-5906,	12
184-0023,	8	185-5366,	32	185-5406,	32	185-5915,	11
185-2093,	13 , 24	185-5367,	32	185-5445,	46	185-5917,	11
185-2094,	8	185-5368,	32	185-5483,	8	185-5918,	11
185-2105,	20	185-5369,	32	185-5492,	8	185-5921,	11
185-2106,	30 , 31 , 41 , 42 , 46	185-5370,	32	185-5495,	27	185-5922,	11
185-2153,	20	185-5371,	32	185-5529,	15	185-5924,	11 , 12
185-2188,	9	185-5372,	32	185-5608,	28 , 29	185-5925,	11
185-2233,	8	185-5373,	32	185-5612,	28 , 29	185-5928,	11
185-2234,	8	185-5374,	32	185-5615,	28 , 29	185-5929,	11
185-2284,	15	185-5375,	32	185-5616,	32	185-5930,	11
185-2338,	8	185-5376,	32	185-5617,	32	185-5931,	11
185-2345,	28 , 29	185-5377,	32	185-5618,	32	185-5947,	33
185-2350,	8	185-5378,	32	185-5619,	32	185-5949,	33
185-2351,	15	185-5379,	32	185-5621,	32	185-5962,	33
185-2352,	22	185-5380,	32	185-5727,	19	185-5963,	33
185-2367,	9 , 40 , 41 , 42	185-5381,	32	185-5837,	8	185-5979,	30 , 31
		185-5382,	32	185-5840,	8	185-5985,	28 , 29 , 32
185-2384,	13	185-5383,	32	185-5841,	8	185-5990,	28 , 29
185-2385,	28 , 29	185-5384,	32	185-5842,	8	185-5999,	41 , 42
185-2388,	19 , 30 , 31	185-5385,	32	185-5843,	8 , 20	185-6004,	41 , 42
185-2389,	30 , 40	185-5386,	32	185-5844,	8	185-6016,	14
185-2390,	15 , 20	185-5387,	32	185-5848,	22	185-6017,	14
185-2400,	12	185-5388,	32	185-5849,	22	185-6018,	14
185-2401,	42	185-5389,	32	185-5851,	22	185-6019,	14
185-2402,	35 , 41	185-5390,	32	185-5861,	9	185-6022,	14
185-2403,	10	185-5391,	32	185-5862,	9	185-6025,	14
185-2404,	10 , 40	185-5392,	32	185-5865,	9	185-6026,	14
185-2412,	9	185-5393,	32	185-5867,	9	185-6028,	14
185-2414,	9	185-5394,	32	185-5868,	9	185-6029,	14
185-2561,	17	185-5395,	32	185-5874,	20	185-6030,	14
185-2563,	9	185-5396,	32	185-5877,	20	185-6039,	8
185-2565,	20 , 41 , 42	185-5397,	32	185-5878,	20	185-6040,	8
185-2976,	27	185-5398,	32	185-5879,	20	185-6046,	27
185-4255,	20	185-5399,	32	185-5880,	20	185-6048,	9
185-5140,	28 , 29	185-5400,	32	185-5893,	10	185-6072,	12
185-5147,	16 , 17	185-5401,	32	185-5899,	10	185-6076,	11
185-5337,	28 , 29 , 32	185-5402,	32	185-5900,	12	185-6093,	28
185-5363,	32	185-5403,	32	185-5901,	12	185-6103,	13 , 35
185-5364,	32	185-5404,	32	185-5905,	12 , 43	185-6107,	14

## Numerical Index

<u>Part No.</u>	<u>Page</u>	<u>Part No.</u>	<u>Page</u>	<u>Part No.</u>	<u>Page</u>	<u>Part No.</u>	<u>Page</u>
185-6108,	<b>14</b>	185-7221,	<b>14</b>	300-5961,	<b>54</b>	332-0941,	<b>26</b>
185-6121,	<b>8</b>	185-7298,	<b>41 , 42</b>	302-1641,	<b>59 , 60</b>	332-1356,	<b>55 , 56</b>
185-6169,	<b>15</b>	190-0753,	<b>44</b>	302-2002,	<b>51 , 58 , 60</b>	332-1554,	<b>56</b>
185-6181,	<b>28 , 29</b>	190-0754,	<b>44</b>	302-2084,	<b>20</b>	332-2921,	<b>24</b>
185-6392,	<b>27</b>	190-0758-S0,	<b>44</b>	307-1886,	<b>55</b>	332-3408,	<b>56</b>
185-6481,	<b>20</b>	190-0759,	<b>44</b>	308-1019,	<b>55</b>	332-3531-03,	<b>56</b>
185-6711,	<b>20</b>	191-2229,	<b>21</b>	308-1038,	<b>51</b>	333-0707,	<b>16 , 18</b>
185-6713,	<b>20</b>	191-2377,	<b>44</b>	308-1062,	<b>57 , 58 , 59 , 60</b>	337-0090,	<b>48 , 49</b>
185-6722,	<b>41</b>	191-2378,	<b>44</b>	315-0899,	<b>36</b>	337-3739,	<b>28 , 29</b>
185-6728,	<b>27</b>	191-2379,	<b>45</b>	315-1650-02,	<b>36</b>	338-3475,	<b>58</b>
185-6749,	<b>14</b>	191-2380-02,	<b>45</b>	319-5199-03,	<b>54</b>	338-3490-01,	<b>61</b>
185-6759,	<b>16 , 17 , 20</b>	192-0451,	<b>44</b>	319-5200-03,	<b>54</b>	338-3490-02,	<b>61</b>
185-6766,	<b>10</b>	193-0318,	<b>41 , 42</b>	319-6988-01,	<b>57</b>	338-3509,	<b>59</b>
185-6771,	<b>11</b>	193-0351,	<b>60</b>	319-6988-02,	<b>58</b>	338-3573,	<b>61</b>
185-6772,	<b>33</b>	193-0352,	<b>60</b>	319-6989-03,	<b>59</b>	338-3637,	<b>60</b>
185-6773,	<b>33</b>	201-3506-S4,	<b>53</b>	319-6993,	<b>60</b>	338-3812,	<b>57</b>
185-6785,	<b>46</b>	201-3549-03,	<b>53</b>	320-1951-01,	<b>51</b>	338-4461,	<b>55</b>
185-6789,	<b>14</b>	205-0220,	<b>53</b>	320-2441-01,	<b>51</b>	338-4498,	<b>56</b>
185-6825,	<b>32</b>	205-0320-02,	<b>37</b>	320-2441-02,	<b>51</b>	338-4856,	<b>55</b>
185-6848,	<b>46 , 47</b>	211-0447-01,	<b>53</b>	320-2441-03,	<b>51</b>	338-5008,	<b>56</b>
185-6956,	<b>27 , 33</b>	211-0485-01,	<b>53</b>	323-1199,	<b>58 , 59 , 60</b>	338-5009,	<b>56</b>
185-6957,	<b>9 , 14 , 20 , 40 , 41 , 42</b>	212-1276-03,	<b>53</b>	323-1200,	<b>61</b>	402-0680-02,	<b>49</b>
185-6961,	<b>20</b>	212-1285,	<b>53</b>	323-1291,	<b>58 , 59 , 60</b>	402-0728-01,	<b>49</b>
185-6973,	<b>11</b>	212-1286-S0,	<b>53</b>	323-1325,	<b>61</b>	402-0728-02,	<b>49</b>
185-6987,	<b>30 , 31</b>	212-1308-02,	<b>50</b>	323-1492,	<b>57</b>	403-3859,	<b>49</b>
185-6988,	<b>30 , 31</b>	214-0103,	<b>53</b>	323-1541,	<b>55 , 57</b>	403-5356-02,	<b>49</b>
185-6989,	<b>30 , 31</b>	220-4649-01,	<b>53</b>	323-1543,	<b>55</b>	403-5359-02,	<b>49</b>
185-6991,	<b>30 , 31</b>	220-4649-08,	<b>53</b>	323-1591,	<b>55</b>	403-5450-02,	<b>37</b>
185-6996,	<b>30</b>	220-4649-09,	<b>53</b>	323-1591,	<b>55</b>	403-5451-02,	<b>25</b>
185-7003,	<b>29</b>	231-0347,	<b>53</b>	323-1614-01,	<b>55</b>	403-5519-02,	<b>49</b>
185-7004,	<b>29</b>	232-3296,	<b>53</b>	323-1615,	<b>55</b>	403-5520-02,	<b>49</b>
185-7006,	<b>28 , 29 , 32</b>	232-3755-02,	<b>53</b>	323-1707,	<b>61</b>	403-5552-02,	<b>49</b>
185-7008,	<b>28 , 29 , 32</b>	232-4145,	<b>53</b>	323-1708,	<b>55 , 61</b>	403-6072-02,	<b>49</b>
185-7013,	<b>40</b>	232-4229,	<b>10</b>	323-1710,	<b>61</b>	403-6764-02,	<b>26</b>
185-7031,	<b>22</b>	234-1020,	<b>53</b>	323-1711,	<b>55</b>	405-5380-05,	<b>50 , 51</b>
185-7069,	<b>22</b>	300-4942,	<b>57</b>	323-1712,	<b>61</b>	405-5508-S0,	<b>24</b>
185-7120,	<b>20</b>	300-4943,	<b>58</b>	323-1719,	<b>55 , 61</b>	405-5895-01,	<b>50</b>
185-7134,	<b>30 , 31</b>	300-4944,	<b>59</b>	323-1773,	<b>55</b>	405-7773,	<b>53</b>
185-7166,	<b>15 , 19</b>	300-4947,	<b>61</b>	323-1819-01,	<b>55</b>	405-7774,	<b>53</b>
		300-5027,	<b>60</b>	323-2166,	<b>55</b>	405-7808,	<b>54</b>

## Numerical Index

<u>Part No.</u>	<u>Page</u>	<u>Part No.</u>	<u>Page</u>	<u>Part No.</u>	<u>Page</u>	<u>Part No.</u>	<u>Page</u>
405-8238-02,	<b>37</b>	503-0731,	<b>30</b>	509-0196,	<b>53</b>	518-0347,	41
405-8249-02,	<b>50</b>	503-1137,	<b>39</b>	509-0329,	<b>39</b>	518-0712,	<b>33</b>
405-8250,	<b>50</b>	503-1138,	<b>39</b>	509-0409,	<b>18</b>	518-0713,	<b>33</b>
405-8252,	<b>50</b>	503-1148,	<b>36</b>	509-0410,	<b>20</b>	518-0732,	11
405-8284,	<b>49</b>	503-1951-09,	<b>34 , 39</b>	509-0411,	<b>27</b>	520-1000-03,	<b>53</b>
405-8285,	<b>37</b>	503-1951-12,	<b>34 , 39</b>	509-0412,	<b>20</b>	520-1000-04,	<b>53</b>
405-8294,	<b>50</b>	503-1951-13,	<b>34</b>	509-0413,	<b>20</b>	520-2655,	<b>40</b>
405-8352-02,	<b>50</b>	503-1951-35,	<b>39</b>	509-0414,	<b>13</b>	520-2697,	<b>46</b>
405-8489,	<b>37</b>	503-1952-06,	<b>34</b>	509-0415,	<b>20</b>	524-0118,	<b>53</b>
405-8491,	<b>37</b>	503-1959,	<b>39</b>	509-0416,	<b>10</b>	526-0003,	<b>55</b>
405-8499,	<b>37</b>	503-2059,	<b>39</b>	509-0417,	<b>8</b>	526-0014,	<b>49</b>
405-8500,	<b>37</b>	503-2436,	<b>36</b>	509-0418,	<b>19</b>	526-0029,	<b>53</b>
405-8519,	49	503-2446,	<b>36</b>	509-0419,	<b>40</b>	526-0049,	<b>59 , 60</b>
405-8721-02,	<b>50</b>	503-2497,	<b>36</b>	509-0420,	<b>53</b>	526-0054,	<b>56</b>
405-8722,	<b>50</b>	503-2500,	<b>39</b>	509-0555,	<b>15</b>	526-0174,	49
405-9147,	<b>50</b>	503-2501,	<b>39</b>	510-0214,	<b>33</b>	526-0324,	49
405-9148,	<b>37</b>	503-2551,	<b>13</b>	510-0215,	<b>40</b>	526-0399-56,	<b>53</b>
405-9149,	<b>37</b>	503-2552,	<b>41 , 42</b>	510-0217,	<b>53</b>	526-0399-64,	<b>21 , 25 , 26 , 47 , 49</b>
405-9150,	<b>37</b>	503-2553,	<b>41 , 42</b>	510-2841,	<b>15</b>	526-0409,	<b>59 , 60</b>
405-9540-02,	<b>37</b>	503-2554,	<b>39</b>	511-0214,	<b>44</b>	526-0461,	<b>44</b>
405-9578,	<b>37</b>	503-2555,	<b>39</b>	511-0218,	<b>44 , 45</b>	526-2100,	<b>45 , 53</b>
405-9821,	<b>50</b>	503-2970,	<b>26</b>	512-0274,	<b>45</b>	526-2120,	<b>44 , 48 , 49 , 49 , 56</b>
405-9822,	<b>50</b>	503-2971,	<b>26</b>	512-0276,	<b>43 , 44</b>	526-2140,	<b>48 , 49</b>
406-1071,	<b>12</b>	503-3135,	<b>42</b>	512-0279,	<b>44</b>	541-1168,	11
414-1898,	49	505-0139,	<b>25</b>	512-0283-02,	<b>44</b>	541-1169,	11
501-0848,	<b>25</b>	505-0180,	<b>39</b>	512-0287-01,	<b>44</b>	541-1293,	<b>44</b>
501-0883,	<b>28</b>	505-2251,	<b>30</b>	512-0287-02,	<b>44</b>	543-0018-02,	<b>62</b>
501-0884,	<b>28 , 29</b>	505-2252,	<b>41 , 42</b>	512-0294,	<b>45</b>	718-1037,	<b>24 , 44</b>
501-0885,	<b>28 , 29</b>	505-2256,	<b>20</b>	512-0302,	<b>45</b>	718-1055,	<b>53</b>
501-0886,	<b>28</b>	505-2258,	<b>30 , 31</b>	512-0316,	<b>44</b>	725-1051,	<b>47</b>
502-0313,	<b>34</b>	505-2519,	<b>8</b>	512-0447,	<b>40</b>	740-1006,	<b>37</b>
502-0804,	<b>25</b>	506-0027,	<b>15</b>	515-0320,	<b>11</b>	740-1008,	<b>21</b>
502-1296-02,	<b>34</b>	506-0028,	<b>16 , 17</b>	516-0247,	<b>21</b>	800-0052,	<b>44</b>
502-1299,	<b>34</b>	507-0006,	<b>11</b>	517-0138-09,	<b>49</b>	800-0055,	49
502-1367-05,	<b>41 , 42</b>	507-0007,	<b>12</b>	517-0273,	<b>34</b>	800-0309-89,	<b>53</b>
502-1505,	<b>25</b>	507-0008,	<b>12</b>	517-0370,	<b>20</b>	800-2056,	<b>53</b>
502-1506,	<b>25</b>	508-0071,	<b>49</b>	517-0371,	<b>23</b>	800-2066,	<b>37</b>
502-1529,	<b>39</b>	508-0239,	<b>53</b>	517-0373,	<b>8</b>	800-2072,	<b>44</b>
503-0365,	<b>36</b>	508-1105,	<b>55</b>	517-0374,	<b>19</b>	800-2089,	<b>53</b>
503-0465,	<b>36</b>	508-1216,	<b>12</b>	518-0288,	34		

## Numerical Index

<u>Part No.</u>	<u>Page</u>	<u>Part No.</u>	<u>Page</u>	<u>Part No.</u>	<u>Page</u>	<u>Part No.</u>	<u>Page</u>
800-2515,	<b>53</b>	821-2033,	<b>44</b>	A041A770,	49		
800-3004,	<b>49 , 56</b>	821-2045,	49	A041E766,	<b>39</b>		
800-3030,	<b>24</b>	821-2061,	<b>48 , 49</b>				
800-3031,	<b>24 , 48 , 49</b>	821-2067,	<b>45</b>				
800-3032,	<b>21</b>	821-2096-02,	<b>34 , 37 , 39 , 49 , 51 , 54</b>				
800-3033,	<b>25 , 26 , 47 , 49</b>	821-2096-03,	<b>37 , 49 , 56</b>				
800-6305,	<b>16 , 17</b>	821-2096-06,	<b>53</b>				
800-6306,	<b>16 , 17</b>	821-2097-06,	<b>36</b>				
800-6307,	<b>15</b>	823-1002-01,	<b>50</b>				
800-6327,	<b>14</b>	823-1002-03,	<b>26</b>				
800-6328,	<b>41 , 42</b>	850-0030,	<b>59 , 60</b>				
800-6329,	<b>10</b>	850-2008,	<b>44 , 45 , 47</b>				
800-6330,	<b>13</b>	850-2010,	<b>53</b>				
800-6331,	<b>41</b>	854-0028,	<b>34</b>				
800-6332,	<b>41 , 42</b>	856-0010,	<b>48 , 49 , 56</b>				
800-6333,	<b>30 , 31</b>	856-0013,	<b>48 , 49</b>				
800-6334,	<b>16 , 17 , 20</b>	860-2005,	<b>55</b>				
800-6335,	<b>14</b>	860-2070,	<b>18</b>				
800-6340,	<b>27</b>	860-2136,	<b>46</b>				
800-6497-01,	<b>50</b>	862-0003,	<b>53</b>				
800-6497-02,	<b>50</b>	862-0015,	<b>56</b>				
800-6543,	<b>20</b>	868-0007,	<b>34</b>				
800-6546,	<b>20</b>	870-0257,	<b>34</b>				
800-6547,	<b>27</b>	870-0506,	<b>36</b>				
808-0023,	<b>60</b>	870-2054,	<b>37 , 56</b>				
812-0070,	<b>56</b>	870-2055,	<b>25 , 47</b>				
815-0549,	<b>51</b>	870-2056,	<b>48 , 49</b>				
815-0600,	<b>21</b>	870-2065-02,	<b>45</b>				
815-0861,	<b>49</b>	871-0010,	<b>59 , 60</b>				
815-0888,	<b>36</b>	871-0025,	<b>56</b>				
815-0910,	<b>57 , 58 , 59</b>	898-1196-33,	55				
815-0943-02,	<b>54</b>	A026F730,	<b>34</b>				
815-0954-02,	<b>25 , 26</b>	A028T907,	<b>39</b>				
815-0954-03,	<b>21 , 45 , 47</b>	A029L892,	<b>34</b>				
815-0954-05,	<b>44</b>	A030D745,	<b>34</b>				
815-1599,	<b>20</b>	A030E224,	<b>62</b>				
818-0247-01,	36	A030E718,	<b>62</b>				
821-0004,	<b>53</b>	A041A765,	<b>39</b>				
821-0029,	49	A041A768,	<b>49</b>				

**THIS PAGE IS INTENDED TO BE BLANK**



[power.cummins.com](http://power.cummins.com)

Copyright © 2019 Cummins Inc. All rights reserved.

Cummins, Onan, and the "C" logo are registered trademarks of Cummins Inc. and its subsidiaries.

Other company, product, or service names may be trademarks or service marks of others.

Specifications are subject to change without notice.

