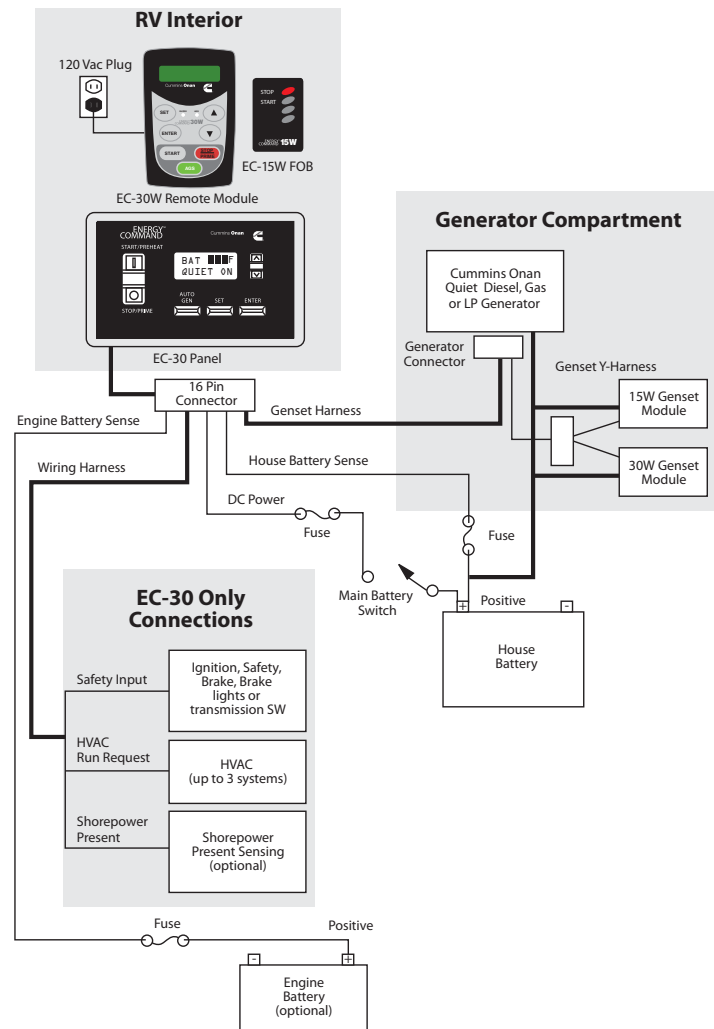


Energy Command Wiring Detail



EC-15W Part # 018-02015

Accessories:

- Spare Key Fob (#018-02150)
- Y Harness - Diesel Generators (#044-00088)
- Y Harness - QG2500/2800 Only (#044-00086)
- Y Harness - Other QG Generators (#044-00087)

EC-20 Part # 018-02020

Accessories:

- Connector (#018-01052)
- Pins (#018-01074)
- 18" Pigtail (#044-00077)
- 25' Harness - QD Generators (#044-00076)
- 25' Harness - QG 7000, 6500, 5500, 4000, 3600 Generators (#044-00075)
- 25' Harness - QG 2800, 2500 Generators (#044-00074)

EC-30 Part # 018-02030

Accessories:

- Connector (#018-01052)
- Pins (#018-01074)
- 18" Pigtail (#044-00077)
- 25' Harness - QD Generators (#044-00076)
- 25' Harness - QG 7000, 6500, 5500, 4000, 3600 Generators (#044-00075)
- 25' Harness - QG 2800, 2500 Generators (#044-00074)

EC-30W Part # 018-03000

Accessories:

- Y Harness - Diesel Generators (#044-00088)
- Y Harness - QG2500/2800 Only (#044-00086)
- Y Harness - Other QG Generators (#044-00087)

Note: Energy Command controls are compatible with all current generation Cummins Onan generators and have settings for wet cell, Gel and AGM batteries.

Making RV Living Easier

Cummins Onan Energy Command Generator Controls

Performance you rely on.™



EC-30 Installed Autostart
with Enhanced Features



EC-15W Wireless
Start/Stop



NEW!
Wireless
Easy
Installation

EC-30W
Wireless
Autostart

Cummins Onan

Performance you rely on.™

Cummins Power Generation

1400 73rd Ave. NE
Minneapolis, MN 55432
USA
Phone 1 763 574 5000
Toll-free 1 800 888 6626
Fax 1 763 574 5298
Email www.cumminsonan.com/contact
www.cumminsonan.com

Cummins® Onan® and the "C" logo are registered trademarks of Cummins Inc.
©2008 Cummins Power Generation.
All Rights Reserved.

ENERGY COMMAND™

EC-30W

Key Features:

- Battery condition monitoring and automatic charging.
- Programmable quiet times.
- The generator automatically starts to support air conditioner operation if a pre-set temperature is exceeded.
- Control module recharges when plugged into outlet.
- Plugged-in control module starts generator when shore power is lost.

Best of all, since it's wireless, attachment of an easily-installed module on your Cummins Onan generator is all that's needed to add these handy features.

NEW!
Wireless
Easy
Installation



The EC-30W system is a portable, wireless generator monitoring and autostart system that can be easily added to your RV in just minutes.



EC-30

Key Features:

Energy Management

- Turns on the generator to meet air conditioning demands.
- Look-ahead battery top-off feature prior to "quiet time".
- Monitors battery levels and provides power to the inverter to charge batteries.
- Computes battery status from historical and anticipated battery performance.
- Anticipates changes in usage to minimize both run time and start/stop cycling for less wear-and-tear on the generator.

Service Information

- Displays generator service maintenance reminders and diagnostic text messages for easy troubleshooting.

Enhanced Safety

- Safety inhibits automatic generator starting in unsafe conditions

Other Features Include:

- Digital generator hour meter
- Start/stop switch with digital readout
- Auto start/stop on low/full battery
- Inputs for up to three air conditioning system start requests
- Built-in memory for all programmable settings
- House battery bank state-of-charge gauge
- House battery bank voltage
- Engine battery bank voltage



Cummins Onan EC-30 Energy Command is a cost effective, full-featured auto generator start system for factory installation.

EC-15W

Key Features:

- Remotely starts and stops a generator from up to 100' away
- Easy for any RV owner to install; instructions included
- Works with current remote switches and control panels*
- Digitally encrypted code ensures remote only starts your generator

* To use in conjunction with other remote switches, the proper "Y" harness must be separately purchased and installed.

ENERGY COMMAND 15W

The Cummins Onan EC-15W is a cost-effective wireless generator remote control.



CUMMINS ONAN® ENERGY COMMAND™	15W	20	30	30W
Battery Monitoring				
House battery bank state of charge gauge		•	•	
House battery bank voltage		•	•	•
Engine battery bank voltage		•	•	
Generator Monitoring				
Digital generator hour meter		•	•	
Manual start/stop switch	•	•	•	•
Service reminders		•	•	
Diagnostic text messages		•	•	
Automatic Generator Starting Functions				
Programmable "quiet time"			•	•
Look-ahead battery top-off feature prior to "quiet time"			•	
Auto start/stop on low/full battery			•	•
Auto start/stop for up to three air conditioning systems			•	
Auto start on Internal Settable Thermostat				•
Built-in memory for all programmable settings			•	•
Safety Feature				
Safety start inhibit feature			•	•

Energy Command 15W Specifications

- Operating temp range: -40C to 60C (-40F to 140F)
- Operating voltage range: 8 to 17Vdc
- Max. current through start/stop relays: 4Adc (typically a few mA)
- Nominal current draw: 10mA (12V) 150mA (12Vdc) when button is pressed
- Reverse polarity protected, Short circuit protected=5A standard automotive fuse on input
- RF transmitting frequency range: 305.3-306.3MHz
- Installed transmitter range: ~100ft typical
- Tested to comply with FCC standards
- Estimated transmitter battery life: 2-5 years depending on use
- Security: 1 in 2,000,000 chance of repeating codes
- Number of remotes possible: 4

Energy Command 30/20 Specifications

- Voltage: 8-35VDC (Suitable for 12V or 24V systems)
- Current: 0.05A @ 12V (With backlight on)
- Start/stop: Switch rated at 1.0 amp
- Control outputs: Rated at 1.0 amp

Energy Command 30W Specifications

- Operating temp range: -20C to 50C (-4F to 122F)
- Operating voltage range: 2 to 5.5 Vdc
- Nominal current draw: NA
- Reverse polarity protected, short circuit protected
- RF transmitting frequency range: ISM 2.4 GHz
- Installed transmitter range: 150ft. maximum
- Estimated Transmitter battery life: 2-7 days depending on use
- Security: 1in x,xxx,xxx chance of repeating codes